

# Class 125 Bronze Y-Strainers

Screw-In Cap • Tapped Cap with Blow-Off Plug or Solid Cap •  
20 Mesh SS Screen or SS Perforated Screen

**200 psi/13.8 bar non-shock cold working pressure**  
**250° F maximum operating temperature**

CONFORMS TO MSS SP-110

## MATERIAL LIST

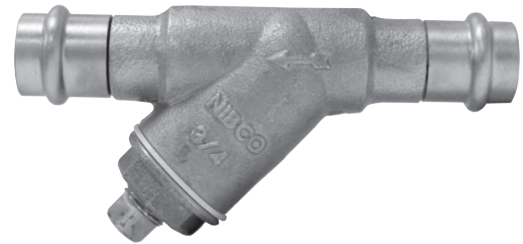
PART	SPECIFICATION
1. Body	Bronze ASTM B584 Alloy C84400
2. Cap	Bronze ASTM B62 Alloy C83600
3. Gasket	PTFE
4. Screen	ASTM E2016 20 Mesh - 304 Stainless Steel or ASTM E674 Perforated - 304 Stainless Steel
5. Plug	Brass ASTM B16 Alloy C36000 or Bronze ASTM B584 Alloy C84400
6. Female Adapter (2)	Bronze ASTM B61 Alloy C92200
7. O-Ring (2)	EPDM

END CONNECTION	SCREEN	CAP
PF - Female Press	221 - 20 Mesh (STD.)	A - Tapped Cap w/Plug (STD.)
PF - Female Press	222 - Perforated	B - Solid Cap

## DIMENSIONS—WEIGHTS—QUANTITIES

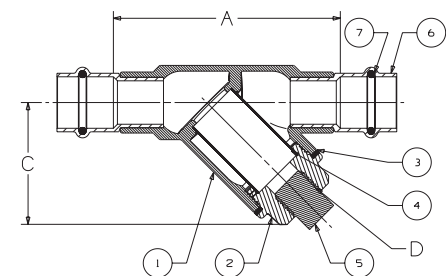
### Dimensions

Size	A		C		Threads	Weight	
	In.	mm.	In.	mm.		Lbs.	Kg.
1/2	15	2.96	75	1.79	45	1/4 NPT	0.66 0.30
3/4	20	3.94	100	2.14	54	3/8 NPT	1.21 0.55
1	25	4.66	118	2.79	71	3/8 NPT	1.88 0.86
1 1/4	32	5.47	139	3.23	82	3/4 NPT	3.10 1.41
1 1/2	40	6.05	154	3.61	92	3/4 NPT	4.64 2.10
2	50	7.40	188	4.99	127	1 NPT	7.48 3.39



### PF-221/222-A

Press x Press  
Female End

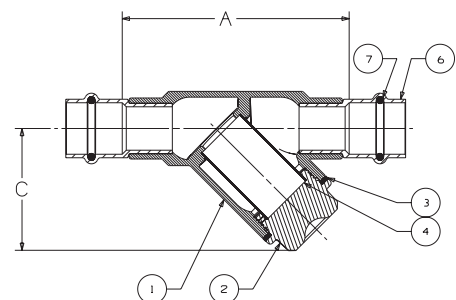


PF-221/222-A  
P x P

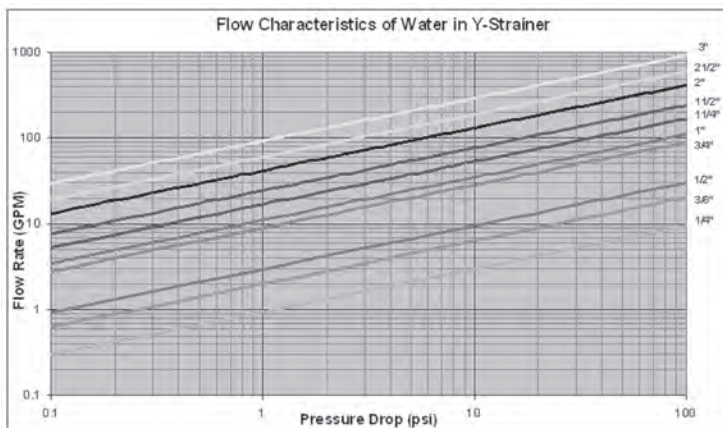


### PF-221/222-B

Press x Press  
Female End



PF-221/222-B  
P x P



**WARNING:** This product can expose you to chemicals including lead, which is known to the State of California to cause cancer and birth defects or other reproductive harm. For more information go to [www.P65Warnings.ca.gov](http://www.P65Warnings.ca.gov).

Visit our website for the most current information.