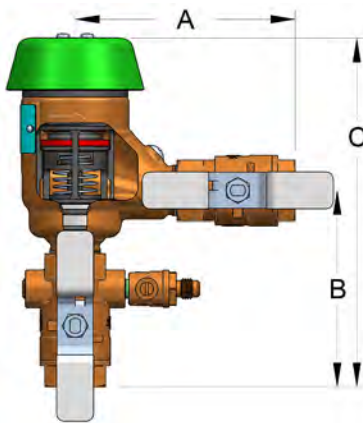


**SVB 4A / SVBLF 4A SERIES**

**SPILL RESISTANT VACUUM BREAKER BACKFLOW PREVENTER**



The Apollo® Series SVB 4A or SVBLF 4A Spill Resistant Vacuum Breaker is designed to prevent contamination of the potable water supply due to back-siphonage. The SVB is ideally suited for continuous pressure, indoor applications where water spillage is undesirable. The device has a straight through flow path for minimal head loss. All components are easily accessible for easy repair and maintenance. All components are made of corrosion resistant materials for years of reliable service. Should be installed 12" above all downstream piping.

**FEATURES**

- Modular Captured Spring Check Valve
- Shut-Off Valves w/ Stainless Steel Handles and Nuts
- Threaded Testcock Protectors
- Designed For Easy Maintenance
- Lead-Free Options
- Low Head Loss
- Corrosion Resistant
- 5 Year Warranty
- Unique Canopy Detachment
- No Special Tools Required
- **Designed, Manufactured, Assembled and Tested in the USA**

**PERFORMANCE RATING**

- Maximum Operating Pressure: 150 psi
- Temperature Range: 33° to 180°F

**APPROVALS**

- ASSE 1056
- NSF/ANSI 372 Lead Free (4ALF only)

**STANDARD MATERIALS LIST**

<b>BODY</b>	Bronze C84400 or C89836 Lead Free*
<b>BALL VALVES, TEST COCKS</b>	Bronze C84400 or C87800 Lead Free*
<b>CANOPY</b>	UV-Resistant ABS
<b>BONNET</b>	Glass-Filled PPO
<b>CHECK VALVE CARTRIDGE</b>	Glass-Filled PPO
<b>SPRINGS</b>	Stainless Steel
<b>SEAT DISCS</b>	Chloramine-resistant Silicone
<b>FLOAT</b>	Glass-Filled PPO
<b>O-RINGS</b>	Chloramine-resistant EPDM

**DIMENSIONS**

PART NO.	LEAD FREE PART NO.	MODEL NO.	LEAD FREE MODEL NO.	DIMENSIONS (IN.) (MM)				WEIGHT	
				SIZE	A	B	C	LB.	KG.
4A-904-A2F	4ALF-904-A2F	SVB4A34	SVBLF4A34	3/4" (20)	4-1/2 (121)	4 (105)	7-1/4 (194)	3.0	1.4
4A-905-A2F	4ALF-905-A2F	SVB4A1	SVBLF4A1	1" (25)	5-3/8 (135)	4-3/4 (194)	8-1/8 (211)	4.2	1.9

**PART NUMBER MATRIX**

4A [XX]	90 X	XX	X
	SIZE	SHUT-OFF VALVES	
4A - NON-LEAD FREE	4 - 3/4"	A2 - W/BALL VALVES (STANDARD)	F - SAE THREADED TEST COCKS (STANDARD)
4ALF - LEAD FREE*	5 - 1"	A4 - W/UNION END BALL VALVES	LL - LOCKING LEVER HANDLES

BACKFLOW PREVENTION