

# Class 250 Iron Y-Strainers

Screw-In Cap • Blow-Off Plug • Threaded Ends • 20 Mesh Stainless Steel Screen or Stainless Steel Perforated Screen

**250 PSI/17.2 bar saturated steam to 406°F/207°C**  
**400 PSI/27.5 bar non-shock cold working pressure**

CONFORMS TO ANSI B1.20.1 (NPT)

## MATERIAL LIST

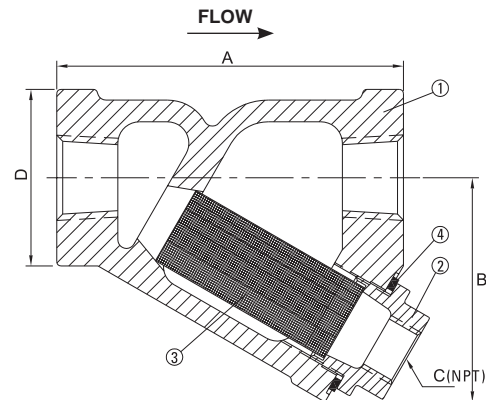
PART	SPECIFICATION
1. Body	Cast Iron ASTM A126 Class B
2. Cap	Cast Iron ASTM A126 Class B
3. Screen	Stainless Steel AISI 304
4. Gasket	Metal-Filled Graphite
5. Plug	Cast Iron ASTM A126 Class B



**T-751-A**  
Threaded

## DIMENSIONS—WEIGHTS—QUANTITIES

Size	Dimensions								Weight Lbs. Kg.		
	A		B		C		D				
In.	mm.	In.	mm.	In.	mm.	In.	mm.	In.	mm.		
1/4	8	3.19	81.0	2.1	52.4	1/4	8	1.63	41.4	1.39	0.63
3/8	10	3.19	81.0	2.1	52.4	1/4	8	1.63	41.4	1.39	0.63
1/2	15	3.19	81.0	2.1	52.4	1/4	8	1.63	41.4	1.39	0.63
3/4	20	3.75	95.3	2.4	61.9	3/8	10	1.77	45.0	2.20	0.99
1	25	4.00	101.6	2.3	58.7	3/8	10	2.19	55.6	3.08	1.39
1¼	32	5.00	127.0	3.4	85.8	3/4	20	2.52	64.0	5.06	2.29
1½	40	5.75	146.1	3.9	98.4	3/4	20	2.99	75.9	7.70	3.49
2	50	7.00	177.8	4.8	120.7	1	25	3.54	89.9	12.54	5.68
2½	65	9.25	235.0	5.9	149.2	1½	40	4.25	108.0	24.42	11.08
3	80	10	254.0	6.0	152.4	1½	40	5.00	127.0	29.26	13.27



**T-751-A**  
Threaded

FLOW COEFFICIENTS			
SIZE	C <sub>v</sub>	SIZE	C <sub>v</sub>
1/4"	9.2	1¼"	44
3/8"	9.2	1½"	61
1/2"	9.2	2"	97
3/4"	19	2½"	130
1"	29	3"	160

**NOTE:** strainer drain plugs are installed hand tight only allowing easy removal for installation of manual drain valve. If manual drain valves are not used, installer must tighten drain plug for proper seal.

**⚠ WARNING:** This product can expose you to chemicals including lead, which is known to the State of California to cause cancer and birth defects or other reproductive harm. For more information go to [www.P65Warnings.ca.gov](http://www.P65Warnings.ca.gov).

Visit [www.nibco.com](http://www.nibco.com) for current Chem-Guide and galvanic potential in piping systems information.