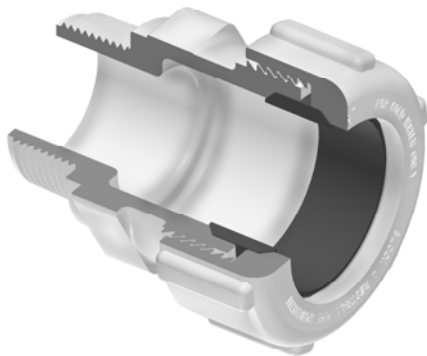




Schedule 40 Fittings Product Compression Male Adapters & Repair Couplings

Compression Male Adapters



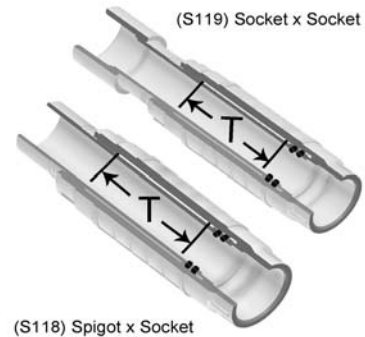
- Quickly Adapts Pipe to MIPT Thread
- Easy-Thread Compression Nut
- 200 psi Pressure Rating
- NSF® Certified for Potable Water Use

Uses same Nut Wrench sets available for Compression Couplings

Compression Male Adapters, PVC

Part Number	Size	Std Pk	Mstr Ctn	Prod Code	MSRP
Elastomer Gasket					
Uses Regular Compression Coupling Nut Wrenches					
S130-05	1/2	25	150	024	3.85
S130-07	3/4	25	200	024	4.65
S130-10	1	25	0	024	5.91
S130-12	1-1/4	25	0	024	9.07
S130-15	1-1/2	25	0	024	9.31
S130-20	2	25	0	024	11.60

Repair Couplings



- Multi-function Telescoping Design
- Regular and Short configurations
- Socket x Socket Configuration for Pipe Repair or Use as a Short-Stroke Expansion Joint
- Spigot x Socket Configuration for Replacing Damaged Fittings
- Both Configurations can be Easily Modified for Opposite Use
- Double O-ring Seal in EPDM
- 1/2" - 2" Pressure Rated to 235 PSI @ 73°F (23°C)
- 2-1/2" - 4" Pressure Rated to 200 PSI @ 73°F (23°C)
- 6" Pressure Rated to 150 PSI @ 73°F (23°C)
- NSF® Certified for Potable Water Use

Versatile Repair Capability

Spears® Repair Couplings provide a variety of system repair and alteration solutions. Use Socket x Socket configurations for quick pipe damage repair - can also be used as a short-stroke expansion joint to compensate for thermal expansion & contraction. Spigot x Socket configurations are excellent for lateral and riser add-ons, damaged fitting replacement, or for installing valves in existing piping systems. Order the wrong configuration? Simply cut coupling from Socket shaft end to function as a spigot or add a coupling to Spigot shaft end for Socket connections.

Part Number	Size	Travel - T	Std Pk	Mstr Ctn	Prod Code	MSRP
-------------	------	------------	--------	----------	-----------	------

Repair Coupling - Spigot x Socket

PVC White with EPDM O-ring



Can be used as short-stroke Expansion Joint

S118-05	1/2	3	25	0	025	6.82
S118-07	3/4	4	30	0	025	7.76
S118-10	1	4	15	0	025	8.94
S118-12	1-1/4	4	25	0	025	16.86
S118-15	1-1/2	4	25	0	025	18.37
S118-20	2	4-1/4	12	0	025	28.41
S118-25	2-1/2	6	5	0	025	41.22
S118-30	3	6	4	0	025	51.49
S118-40	4	6	2	0	025	90.12