

AUTOMATIC BALANCING VALVES

- DEZINCIFICATION-RESISTANT BALANCING VALVES FOR LONG-LASTING, CORROSION-FREE PERFORMANCE
- WIDE RANGE OF FLOW REGULATION CARTRIDGES



AUTOMATIC BALANCING VALVES



FLO-BOSS® A

DZR Brass Automatic Balancing Valve

1880 Series – Threaded

Ratings

300 PSI Non-Shock Cold Working Pressure
Maximum Temperature 260°F at 150 PSI

Features

Sizes: ½ to 2"
Flow Measurement Accuracy of +/- 5%
Location Tag
Double Union Ends

Material #	Model	Size	Inlet x Outlet Connection	Min/Max Flow Rate GPM	Weight Lbs
NL2X806	T-1880 Mini	½" Mini	FPT x FPT	0.32/3.17	0.83
NL3X806	T-1880	½"	FPT x FPT	2.06/15.1	1.07
NL2X808	T-1880 Mini	¾" Mini	FPT x FPT	0.32/3.17	0.99
NL3X808	T-1880	¾"	FPT x FPT	2.06/15.1	1.10
NL3X80A	T-1880	1"	FPT x FPT	2.06/15.1	1.14
NL3X80B	T-1880	1¼"	FPT x FPT	4.44/41.2	3.21
NL3X80C	T-1880	1½"	FPT x FPT	4.44/41.2	3.44
NL3X80D	T-1880	2"	FPT x FPT	4.44/41.2	7.50

Note: Cartridges are not included and must be added separately



FLO-BOSS® A

DZR Brass Automatic Balancing Valve

1880 Series – Solder

Ratings

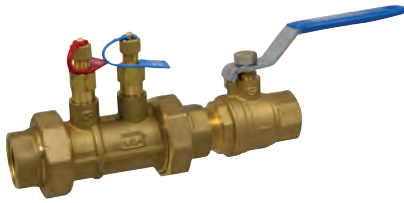
300 PSI Non-Shock Cold Working Pressure
Maximum Temperature 260°F at 150 PSI

Features

Sizes: ½ to 2"
Flow Measurement Accuracy of +/- 5%
Location Tag
Double Union Ends

Material #	Model	Size	Inlet x Outlet Connection	Min/Max Flow Rate GPM	Weight Lbs
NJ2X806	S-1880 Mini	½" Mini	SWT x SWT	0.32/3.17	0.83
NJ3X806	S-1880	½"	SWT x SWT	2.06/15.1	1.07
NJ2X808	S-1880 Mini	¾" Mini	SWT x SWT	0.32/3.17	0.99
NJ3X808	S-1880	¾"	SWT x SWT	2.06/15.1	1.10
NJ3X80A	S-1880	1"	SWT x SWT	2.06/15.1	1.14
NJ3X80B	S-1880	1¼"	SWT x SWT	4.44/41.2	3.21
NJ3X80C	S-1880	1½"	SWT x SWT	4.44/41.2	3.44
NJ3X80D	S-1880	2"	SWT x SWT	4.44/41.2	7.50

Note: Cartridges are not included and must be added separately



FLO-BOSS® AI

DZR Brass Automatic Balancing Valve with Isolation
1880 Series – Threaded

Ratings

300 PSI Non-Shock Cold Working Pressure
Maximum Temperature 260°F at 150 PSI

Features

Sizes: ½ to 2"
Flow Measurement Accuracy of +/- 5%
Location Tag

Material #	Model	Size	Inlet x Outlet Connection	Min/Max Flow Rate GPM	Weight Lbs
NMAMS2206	T-1880SO Mini	½" Mini	FPT x FPT	0.32/3.17	1.29
NMAS2206	T-1880SO	½"	FPT x FPT	2.06/15.1	1.53
NMAMS2208	T-1880SO Mini	¾" Mini	FPT x FPT	0.32/3.17	1.43
NMAS2208	T-1880SO	¾"	FPT x FPT	2.06/15.1	1.77
NMAS220A	T-1880SO	1"	FPT x FPT	2.06/15.1	2.24
NMAS220B	T-1880SO	1¼"	FPT x FPT	4.44/41.2	4.85
NMAS220C	T-1880SO	1½"	FPT x FPT	4.44/41.2	5.86
NMAS220D	T-1880SO	2"	FPT x FPT	4.44/41.2	11.04

Note: Cartridges are not included and must be added separately



FLO-BOSS® A

DZR Brass Automatic Balancing Valve
1880 Series – Threaded x Press

Ratings

200 PSI Non-Shock Cold Working Pressure
Maximum Temperature 250°F at 150 PSI

Features

Sizes: ½ to 2"
Flow Measurement Accuracy of +/- 5%
Location Tag

Material #	Model	Size	Inlet x Outlet Connection	Min/Max Flow Rate GPM	Weight Lbs
NMAM2406	TPC-1880 Mini	½" Mini	FPT x PRESS	0.32/3.17	0.94
NMA2406	TPC-1880	½"	FPT x PRESS	2.06/15.1	1.18
NMAM2408	TPC-1880 Mini	¾" Mini	FPT x PRESS	0.32/3.17	0.96
NMA2408	TPC-1880	¾"	FPT x PRESS	2.06/15.1	1.3
NMA240A	TPC-1880	1"	FPT x PRESS	2.06/15.1	1.41
NMA240B	TPC-1880	1¼"	FPT x PRESS	4.44/41.2	3.68
NMA240C	TPC1880	1½"	FPT x PRESS	4.44/41.2	4.14
NMA240D	TPC1880	2"	FPT x PRESS	4.44/41.2	8.43

Note: Cartridges are not included and must be added separately

AUTOMATIC BALANCING VALVES



FLO-BOSS® AI

DZR Brass Automatic Balancing Valve with Isolation
1880 Series – Threaded x Press

Ratings

200 PSI Non-Shock Cold Working Pressure
Maximum Temperature 250°F at 150 PSI

Features

Sizes: ½ to 2"
Flow Measurement Accuracy of +/- 5%
Location Tag

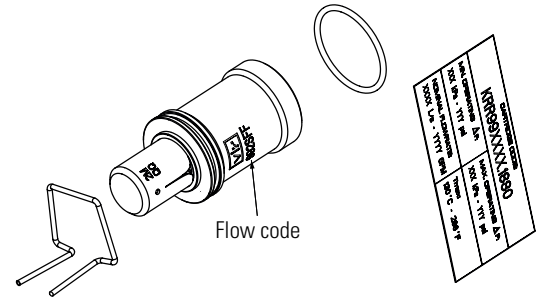
Material #	Model	Size	Inlet x Outlet Connection	Min/Max Flow Rate GPM	Weight Lbs
NMAMS2406	TPC-1880SO Mini	½" Mini	FPT x PRESS	0.32/3.17	1.40
NMAS2406	TPC-1880SO	½"	FPT x PRESS	2.06/15.1	1.64
NMAMS2408	TPC-1880SO Mini	¾" Mini	FPT x PRESS	0.32/3.17	1.63
NMAS2408	TPC-1880SO	¾"	FPT x PRESS	2.06/15.1	2.04
NMAS240A	TPC-1880SO	1"	FPT x PRESS	2.06/15.1	2.51
NMAS240B	TPC-1880SO	1¼"	FPT x PRESS	4.44/41.2	5.32
NMAS240C	TPC-1880SO	1½"	FPT x PRESS	4.44/41.2	6.56
NMAS240D	TPC-1880SO	2"	FPT x PRESS	4.44/41.2	11.97

Note: Cartridges are not included and must be added separately

FLO-BOSS®

1880 Series Automatic Balancing Valve

Automatic Cartridges



Mini (For 1/2" & 3/4" Mini Valves ONLY)

Standard Range

Material #	Flow (GPM)
KRR991202	0.32
KRR991203	0.48
KRR991204	0.63
KRR991205	0.79
KRR991206	0.95
KRR991207	1.11
KRR991208	1.27
KRR991209	1.43
KRR991210	1.59
KRR991211	1.74
KRR991212	1.90
KRR991213	2.06
KRR991214	2.22
KRR991215	2.38
KRR991216	2.54
KRR991218	2.85
KRR991220	3.17

Small – For 1/2", 3/4" and 1" Valves

Standard Range

Material #	Flow (GPM)
KRR992213	2.06
KRR992214	2.22
KRR992215	2.38
KRR992216	2.54
KRR992217	2.69
KRR992219	3.01
KRR992221	3.33
KRR992224	3.80
KRR992226	4.12
KRR992227	4.28
KRR992230	4.76
KRR992233	5.23
KRR992236	5.71
KRR992238	6.02
KRR992240	6.34
KRR992245	7.13
KRR992250	7.93
KRR992255	8.72
KRR992260	9.51
KRR992266	10.50
KRR992272	11.41

HP Range

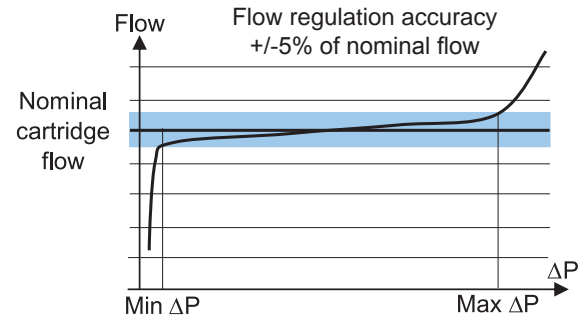
Material #	Flow (GPM)
KRR992318	2.85
KRR992320	3.17
KRR992323	3.65
KRR992327	3.96
KRR992329	4.60
KRR992332	5.07
KRR992336	5.71
KRR992340	6.34
KRR992345	7.13
KRR992350	7.93
KRR992355	8.72
KRR992361	9.67
KRR992368	10.78
KRR992375	11.90
KRR992380	12.68
KRR992386	13.63
KRR992395	15.10

AUTOMATIC BALANCING VALVES

FLO-BOSS®

1880 Series Automatic Balancing Valve

Automatic Cartridges



Medium – For 1¼", 1½" and 2" Valves

Standard Range

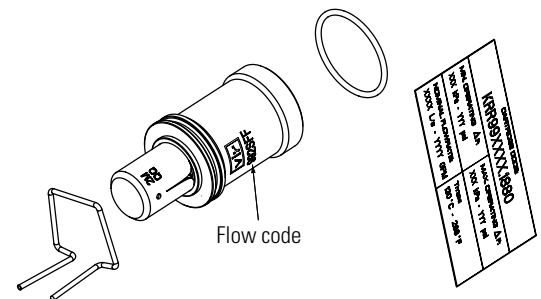
Material #	Flow (GPM)
KRR994231	4.91
KRR994234	5.39
KRR994237	5.86
KRR994240	6.34
KRR994246	7.29
KRR994250	7.93
KRR994255	8.72
KRR994258	9.19
KRR994262	9.83
KRR994267	10.6
KRR994274	11.7
KRR994283	13.2
KRR994290	14.3
KRR994297	15.4
KRR994210	16.6
KRR994212	19.0
KRR994213	20.6
KRR994214	22.8
KRR994216	24.7
KRR994217	26.6
KRR994218	28.5
KRR994220	31.1

HP Range

Material #	Flow (GPM)
KRR994341	6.50
KRR994346	7.29
KRR994351	8.08
KRR994355	8.72
KRR994362	9.83
KRR994368	10.80
KRR994374	11.70
KRR994379	12.50
KRR994383	13.20
KRR994391	14.40
KRR994310	15.90
KRR994311	17.60
KRR994312	19.00
KRR994313	20.60
KRR994314	22.00
KRR994316	26.00
KRR994318	27.70
KRR994319	30.10
KRR994321	32.70
KRR994322	35.40
KRR994324	38.00
KRR994326	41.20

Sample Label – 1880DU with Cartridge

CARTRIDGE CODE	
KRR992205.1880	
MIN OPERATING Dp: 14 kPa - 2.0 psi	MAX OPERATING Dp: 240 kPa - 35 psi
NOMINAL FLOWRATE: 0.050 L/s - 0.79 GPM	Tmax: 130°C - 266°F



For more detailed flow performance information please contact NIBCO or visit our webpage.