

## HW limit switch box series

Control unit that combines a limit switch box and solenoid valve into a single device. Maximum efficiency with minimum customer effort.

### Features

- Twin shaft design
- Self lubricating bushings
- Optional integrated solenoid valve for maximum efficiency and compactness
- 3 or 5 way pneumatic valve with single or double coil configurations
- Aluminium enclosure with thick powder coat paint and integrated NAMUR mounting kit
- Up to 3 cable entries either metric or imperial
- Multiple indicator options

- Easy wiring through the terminal PCB board
- Optional position transmitter boards
- Optional Profibus communication board for complete process handling

### Approvals

**EAC, UL general purpose**

**SIL certificate:** Up to SIL 2 approval on request

**Protection rating:** IP66 / 67

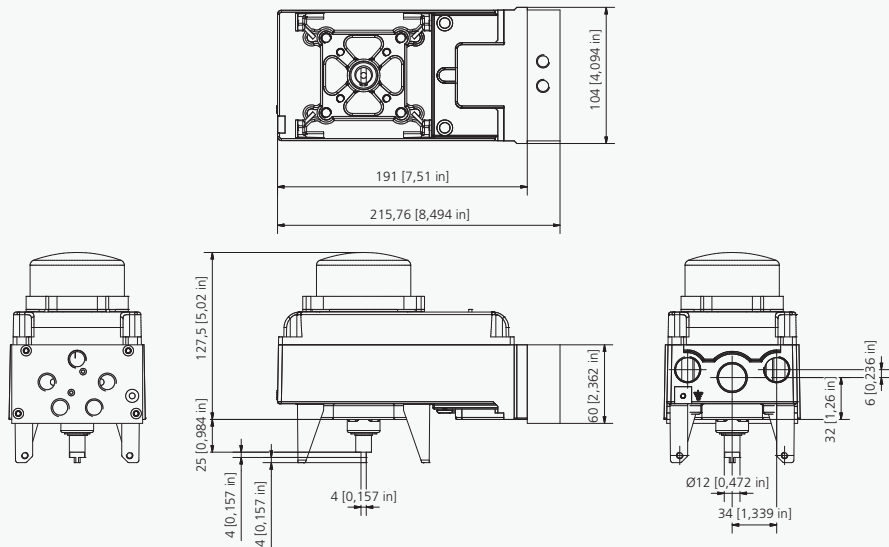
Nema 4 4X on request

**Temperature:**

-60 to +105 °C (-76 to +221 °F) standard temperature range



### HW limit switch box



# HW limit switch box series

## Nomenclature

HW N1 2 2 2 - 3 T W 9 7 P 3 0 A

### Box

HW = Aluminium control unit enclosure

### Switch

01 = SPDT electromechanical switches, silver plated contacts  
 03 = SPDT electromechanical switches, gold plated contacts  
 1F = DPDT electromechanical switches silver plated contacts  
 70 = NAMUR inductive proximity sensor P+F type NJ2-V3-N, NAMUR NC 2 wire (for Ex'ia')  
 73 = Inductive proximity P+F NBB2-V3-E2, 3 wire PNP NO  
 C4 = Magnetic SPDT hermetically sealed switch (suitable for Ex'ia')  
 C8 = Magnetic DPDT hermetically sealed switch (suitable for Ex'ia')  
 N1 = Magnetic proximity SPDT hermetically sealed switch, silver plated snap acting contacts  
 N3 = Magnetic proximity SPDT hermetically sealed switch, gold plated snap acting contacts  
 N4 = Magnetic proximity DPDT hermetically sealed switch, silver plated snap acting contacts  
 DB = 3 position control system for single acting actuators, 5/3 way, double coil sov  
 DA = 3 position control system for double acting actuators, 5/3 way, double coil sov  
 A1 = Asi board with 2 SPDT switches and solenoid valve control  
 T0 = 4-20 mA analog position transmitter  
 H0 = 4-20 mA HART transmitter Exia IIC certified  
 PG = Profibus communication board

See additional information and options on pages 14-19

### Switch Quantity

0 = No switches for digital limit position feedback  
 1 = 1 switch or sensor (for DB, DA switch options)  
 2 = 2 switches or sensors  
 3 = 3 switches or sensors  
 4 = 4 switches or sensors

### Terminals

0 = Screw type terminals with sov connection  
 2 = Blue screw type terminals with sov connection

### Coating

0 = Black polyester powder coating (only for aluminium)

### Cable Entries

1 = 2 cable entries 1/2" NPT  
 2 = 2 cable entries M20x1.5  
 3 = 2 x 1/2" NPT + 1 x 3/4" NPT cable entries  
 4 = 2 x M20 x 1.5p + 1 x M25 x 1.5p cable entries

### Visual Position Indicator

0 = Red and green visual position indicator

See additional information and options on page 11

### Approval

W = Weather proof limit switch box  
 G = EAC certified box for Russian market, with RTN permit  
 U = UL certified box

See additional information and options on page 13

### Marking

0 = Ordinary location  
 A = CULUS normally location

See additional information and options on page 13

### IP Protection rating

1 = Weather proof IP66/IP67  
 7 = Nema 4 X

### Temperature

S = Ambient temperature range: -10 to +50 °C (+14 to +122 °F)  
 7 = Ambient temperature range: -10 to +40 °C (+14 to +104 °F)  
 5 = Ambient temperature range: -5 to +50 °C (+23 to +122 °F)  
 A = Ambient temperature range: -20 to +80 °C (-4 to +176 °F) without solenoid valve

### Material and solenoid valve selection

3 = Aluminium heavy duty body and cover  
 A = Aluminium heavy duty body and cover die-cromated, 5/2 way aluminium solenoid valve, single coil  
 B = Aluminium heavy duty body and cover die-cromated, 5/2 way aluminium solenoid valve, double coil  
 C = Aluminium heavy duty body and cover die-cromated, 5/3 way aluminium solenoid valve, blocked centre, double coil (DB switch option)  
 D = Aluminium heavy duty body and cover die-cromated, 5/3 way aluminium solenoid valve, exhaust centre, double coil (DA switch option)

### Coil Rating

0 = No solenoid valve available  
 2 = Coil rating: 12 VDC 2, 3 W  
 3 = Coil rating: 24 VDC 2, 3 W  
 4 = Coil rating: 24 VAC 2, 8 VA  
 5 = Coil rating: 110 VAC 2, 8 VA  
 6 = Coil rating: 230 VAC 2, 8 VA  
 1 = Ex'ia' certified pilot valve coil rating: 6 VDC  
 7 = Ex'ia' certified pilot valve coil rating: 12 VDC  
 8 = Ex'ia' certified pilot valve coil rating: 24 VDC  
 9 = Ex'n' certified pilot valve coil rating: 24 VDC  
 A = Ex'n' certified pilot valve coil rating: 110 VAC

### Pneumatical Connection

0 = No pneumatic connections  
 A = 1/4" NPT/F pneumatic connections