



# Compression & Repair Fittings



## PRODUCT

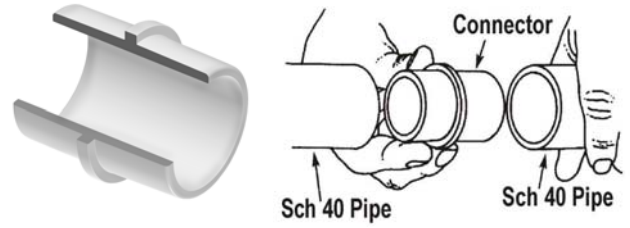
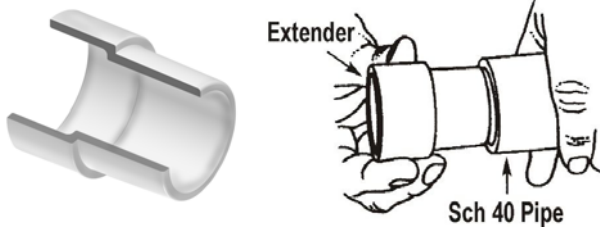
Contact Spears® for any Information not found.



**Schedule 40 Fittings Product**  
**Schedule 40 Repair Fittings & Fabricated Repair Couplings**

**Schedule 40 Repair Fittings**

Schedule 40 Pipe Repair Fittings  
 Allows Difficult Broken Pipe Repair To Be Made Easily



**Pipe Inside Connectors, Schedule 40**

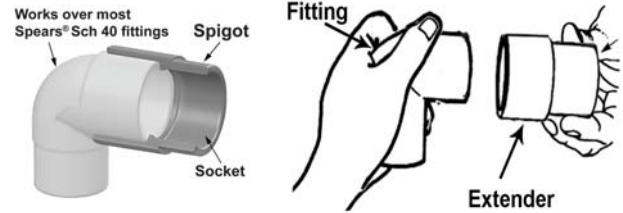
Part Number	Size	Std Pk	Mstr Ctn	Prod Code	MSRP
<b>Pipe I.D. Spigot x Pipe I.D. Spigot</b>					
S0302-10	1	50	300	894	4.18
S0302-15	1-1/2	50	0	894	5.69
S0302-20	2	20	0	894	6.31
S0302-30	3	25	0	894	19.80
S0302-40	4	5	0	894	23.52

**Pipe Extenders, Schedule 40**

Part Number	Size	Std Pk	Mstr Ctn	Prod Code	MSRP
-------------	------	--------	----------	-----------	------

**Pipe O.D. Spigot x Pipe I.D. Spigot**  
 \* Fabricated, Non-Pressure Rated

S0301-05	1/2	100	600	894	2.01
S0301-07	3/4	50	300	894	3.29
S0301-10	1	50	200	894	4.18
S0301-12	1-1/4	50	0	894	5.00
S0301-15	1-1/2	50	0	894	5.69
S0301-20	2	25	0	894	6.31
S0301-25	2-1/2	25	0	894	7.52
S0301-30	3	25	0	894	17.56
S0301-40	4	20	0	894	20.69
S0301-60F	6	1	10	392	81.21
S0301-80F	8	1	2	392	163.15
S0301-100F	10	1	0	392	253.18
S0301-120F	12	1	0	392	367.14



**Fitting Extenders, Schedule 40**

Part Number	Size	Std Pk	Mstr Ctn	Prod Code	MSRP
-------------	------	--------	----------	-----------	------

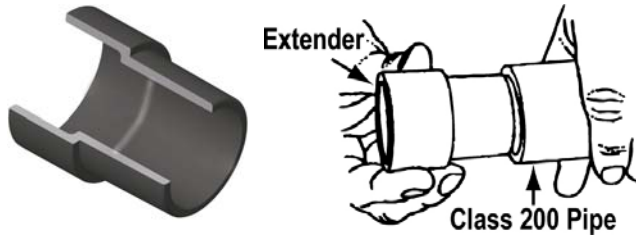
**Spigot (Socket) x Socket O.D.**

Spigot End also functions as next size down Socket

S0303-15	1-1/2	25	0	894	7.93
S0303-20	2	25	0	894	9.81

**Fabricated Repair Couplings**

Part Number	Size	Gasket to Gasket - L1	Std Pk	Mstr Ctn	Prod Code	MSRP
-------------	------	-----------------------	--------	----------	-----------	------



**Pipe Extenders, Class 200**

Part Number	Size	Std Pk	Mstr Ctn	Prod Code	MSRP
-------------	------	--------	----------	-----------	------

**Pipe O.D. Spigot x Pipe I.D. Spigot**  
 Fits Class 200 Pipe I.D.

S0304-10	1	25	150	894	4.62
S0304-12	1-1/4	10	120	894	5.06
S0304-15	1-1/2	10	120	894	5.51
S0304-20	2	25	0	894	6.16

**Repair Coupling, Schedule 40 Fabricated**

**Gasket x Gasket**

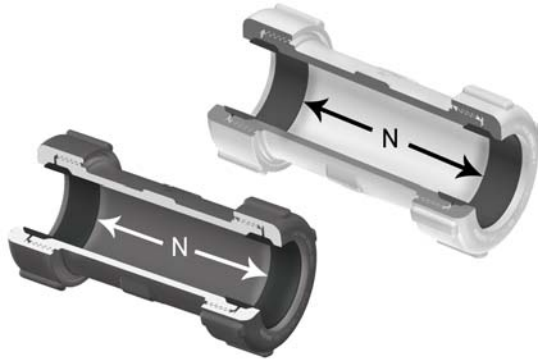


428-020F	2	6	1	10	047	76.49
428-030F	3	11- 3/4	1	12	047	99.12
428-040F	4	15	1	4	047	114.77
428-060F	6	18-1/4	1	3	047	155.58
428-080F	8	21-1/2	1	2	047	213.36
428-100F	10	22-1/8	1	0	047	319.62
428-120F	12	22-5/8	1	0	047	416.17
428-140F	14	21-1/2	1	0	047	814.43
428-160F	16	24	1	0	047	1139.67
428-180F	18	22-5/8	1	0	047	1754.15
428-200F	20	23-1/2	1	0	047	2093.65
428-240F	24	23-1/2	1	0	047	2922.85

Schedule 40 Fittings Product  
**Compression Couplings & Nut Wrenches**



**Compression Couplings & Nut Wrenches**



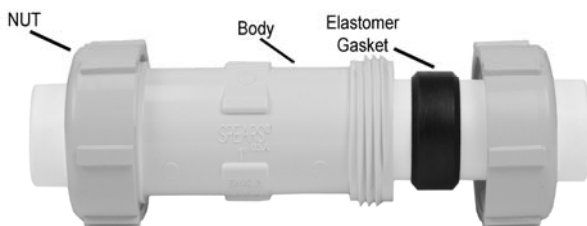
- Designed for Quick Connections, System Modifications or Repairs
- Completely Redesigned for Improved Versatility
- PVC White plus New Industrial PVC Gray
- Easy-Thread Compression Nut
- New Spigot Conversion Capability
- Full Service Pressure Rating  
 1/2" - 2-1/2" = 200psi, 3" - 6" = 150psi
- NSF® Certified for Potable Water Use

**Option: Convert Fittings to Compression Outlet**

Socket-type fittings 3/4" through 3" can be easily converted to compression outlet sizes 1/2" through 2-1/2" by simply cutting the Compression Coupling at the center holding ribs and solvent welding the spigot body into a fitting socket.



Compression Coupling Size (in.)	Body Spigot Size (in.)
1/2	3/4
3/4	1
1	1-1/4
1-1/4	1-1/2
1-1/2	2
2	2-1/2
2-1/2	3



**Compression Coupling, PVC White**

Part Number	Size	Gasket to Gasket - N	Std Pk	Mstr Ctn	Prod Code	MSRP
<b>Elastomer Gasket</b>						
S110-05	1/2	3-3/8	28	0	024	4.73
S110-07	3/4	3-9/16	24	0	024	6.40
S110-10	1	3-3/4	20	0	024	8.33
S110-12	1-1/4	4-1/8	10	0	024	12.76
S110-15	1-1/2	4-5/8	16	0	024	13.15
S110-20	2	5-1/16	12	0	024	17.11
S110-25	2-1/2	5-7/8	6	0	024	32.18
S110-30	3	6-3/16	4	0	024	42.14
S110-40	4	7-3/8	4	0	024	69.29
S110-60	6	7-9/16	1	0	024	157.60

**Compression Coupling, PVC Gray**

Part Number	Size	Gasket to Gasket - N	Std Pk	Mstr Ctn	Prod Code	MSRP
<b>Elastomer Gasket</b>						
S110-05G	1/2	3-3/8	28	0	024	5.06
S110-07G	3/4	3-9/16	24	0	024	7.57
S110-10G	1	3-3/4	20	0	024	9.77
S110-12G	1-1/4	4-1/8	10	0	024	15.07
S110-15G	1-1/2	4-5/8	16	0	024	15.56
S110-20G	2	5-1/16	12	0	024	20.19
S110-25G	2-1/2	5-7/8	6	0	024	38.02
S110-30G	3	6-3/16	4	0	024	49.69
S110-40G	4	7-3/8	4	0	024	81.77
S110-60G	6	7-9/16	1	0	024	185.95

**Compression Coupling Nut Wrench Set**

Part Number	Size	Std Pk	Mstr Ctn	Prod Code	MSRP
CCW-000	<b>Set</b>	1	25	299	122.38

Complete Set of Wrenches, Sizes 1/2 - 3

**Compression Coupling Nut Wrenches**

**Fits all Spears® Compression Fittings**



CCW-005	1/2	1	50	299	14.65
CCW-007	3/4	1	50	299	14.91
CCW-010	1	1	50	299	15.54
CCW-012	1-1/4	1	50	299	17.57
CCW-015	1-1/2	1	50	299	18.96
CCW-020 <sup>1</sup>	2	1	50	299	21.19
CCW-030 <sup>2</sup>	3	1	25	299	26.06
CCW-060	6	8	0	299	39.19

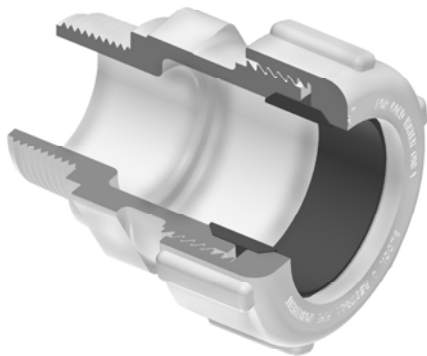
<sup>1</sup> CCW-20 - Wrench also fits 2-1/2" Coupling Body

<sup>2</sup> CCW-30 - Wrench also fits 4" Coupling Body



## Schedule 40 Fittings Product Compression Male Adapters & Repair Couplings

### Compression Male Adapters



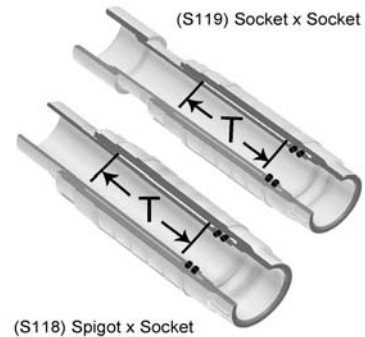
- Quickly Adapts Pipe to MIPT Thread
- Easy-Thread Compression Nut
- 200 psi Pressure Rating
- NSF® Certified for Potable Water Use

Uses same Nut Wrench sets available for Compression Couplings

#### Compression Male Adapters, PVC

Part Number	Size	Std Pk	Mstr Ctn	Prod Code	MSRP
<b>Elastomer Gasket</b>					
Uses Regular Compression Coupling Nut Wrenches					
S130-05	1/2	25	150	024	3.85
S130-07	3/4	25	200	024	4.65
S130-10	1	25	0	024	5.91
S130-12	1-1/4	25	0	024	9.07
S130-15	1-1/2	25	0	024	9.31
S130-20	2	25	0	024	11.60

### Repair Couplings



- Multi-function Telescoping Design
- Regular and Short configurations
- Socket x Socket Configuration for Pipe Repair or Use as a Short-Stroke Expansion Joint
- Spigot x Socket Configuration for Replacing Damaged Fittings
- Both Configurations can be Easily Modified for Opposite Use
- Double O-ring Seal in EPDM
- 1/2" - 2" Pressure Rated to 235 PSI @ 73°F (23°C)
- 2-1/2" - 4" Pressure Rated to 200 PSI @ 73°F (23°C)
- 6" Pressure Rated to 150 PSI @ 73°F (23°C)
- NSF® Certified for Potable Water Use

#### Versatile Repair Capability

Spears® Repair Couplings provide a variety of system repair and alteration solutions. Use Socket x Socket configurations for quick pipe damage repair - can also be used as a short-stroke expansion joint to compensate for thermal expansion & contraction. Spigot x Socket configurations are excellent for lateral and riser add-ons, damaged fitting replacement, or for installing valves in existing piping systems. Order the wrong configuration? Simply cut coupling from Socket shaft end to function as a spigot or add a coupling to Spigot shaft end for Socket connections.

Part Number	Size	Travel - T	Std Pk	Mstr Ctn	Prod Code	MSRP
-------------	------	------------	--------	----------	-----------	------

#### Repair Coupling - Spigot x Socket

**PVC White with EPDM O-ring**



Can be used as short-stroke Expansion Joint

S118-05	1/2	3	25	0	025	6.82
S118-07	3/4	4	30	0	025	7.76
S118-10	1	4	15	0	025	8.94
S118-12	1-1/4	4	25	0	025	16.86
S118-15	1-1/2	4	25	0	025	18.37
S118-20	2	4-1/4	12	0	025	28.41
S118-25	2-1/2	6	5	0	025	41.22
S118-30	3	6	4	0	025	51.49
S118-40	4	6	2	0	025	90.12



**Repair Couplings**

Part Number	Size	Travel - T	Std Pk	Mstr Ctn	Prod Code	MSRP
-------------	------	------------	--------	----------	-----------	------

Repair Coupling - Spigot x Socket (continued)

**PVC White with EPDM O-ring**

S118-60	6	6	1	0	025	220.49
---------	---	---	---	---	-----	--------

**Unit Must Be Thrust Blocked**  
**T = Repair Coupling Travel**



Repair Coupling - Socket x Socket

**PVC White with EPDM O-ring**

Can be used as short-stroke Expansion Joint

S119-05	1/2	3	30	0	025	6.82
S119-07	3/4	4	24	0	025	7.76
S119-10	1	4	20	0	025	8.94
S119-12	1-1/4	4	10	0	025	16.86
S119-15	1-1/2	4	16	0	025	18.37
S119-20	2	4	10	0	025	28.41
S119-25	2-1/2	6	5	0	025	41.22
S119-30	3	6	4	0	025	51.49
S119-40	4	6	2	0	025	90.12
S119-60	6	6	1	0	025	220.49

**Unit Must Be Thrust Blocked**  
**T = Repair Coupling Travel**

**Short Repair Couplings**

Repair Coupling - Short, Spigot x Socket

**PVC White with EPDM O-ring**

SH118-05	1/2	2	36	0	025	6.82
SH118-07	3/4	2-1/4	30	0	025	7.76
SH118-10	1	2	35	0	025	8.94
SH118-12	1-1/4	2-1/2	25	0	025	16.86
SH118-15	1-1/2	2-3/4	32	0	025	18.37
SH118-20	2	3	15	0	025	28.41

**Unit Must Be Thrust Blocked**  
**T = Repair Coupling Travel**



Repair Coupling - Short, Socket x Socket

**PVC White with EPDM O-ring**

SH119-05	1/2	2	40	0	025	6.82
SH119-07	3/4	2	30	0	025	7.76
SH119-10	1	2	30	0	025	8.94
SH119-12	1-1/4	2-1/2	20	0	025	16.86
SH119-15	1-1/2	2-3/4	21	0	025	18.37



Part Number	Size	Travel - T	Std Pk	Mstr Ctn	Prod Code	MSRP
-------------	------	------------	--------	----------	-----------	------

Repair Coupling - Short, Socket x Socket (continued)

**PVC White with EPDM O-ring**

SH119-20	2	3-1/4	12	0	025	28.41
----------	---	-------	----	---	-----	-------

**Unit Must Be Thrust Blocked**  
**T = Repair Coupling Travel**

**GripLoc™ Compression Couplings**

Tightening nut compresses special stainless steel Gripper Ring to firmly grip pipe and prevent potential pull-out. Compressed Gland Ring ensures positive O-ring seal against pipe.



Part Number	Size	Std Pk	Mstr Ctn	Prod Code	MSRP
-------------	------	--------	----------	-----------	------

GripLoc™ Compression Couplings

**WARNING: DO NOT INSERT FINGERS**  
**For Cold Water Only - EPDM Gasket**  
**1/2" - 2" Pressure Rated to 235 psi**  
**3" - 4" Pressure Rated to 150 psi**



Hand Tighten ONLY - No Nut Wrenches Required

S112-05	1/2	28	0	131	22.56
S112-07	3/4	1	24	131	24.92
S112-10	1	1	20	131	31.28
S112-12	1-1/4	1	10	131	38.15
S112-15	1-1/2	1	16	131	46.19
S112-20	2	1	12	131	54.45
S112-30	3	1	4	131	93.47
S112-40	4	1	4	131	105.68

**GripLoc™ Compression Adapters**

GripLoc™ Compression Male Adapter

**WARNING: DO NOT INSERT FINGERS**  
**For Cold Water Only - Mipt x EPDM**  
**GripLoc™ Gasket**



Hand Tighten ONLY - No Nut Wrenches Required

S135-05	1/2	1	25	131	13.52
S135-07	3/4	1	25	131	15.86



Schedule 40 Fittings Product

GripLoc™ Compression Adapters & GripLoc™ Coupling & GripLoc™ Cap

GripLoc™ Compression Adapters

Part Number	Size	Std Pk	Mstr Ctn	Prod Code	MSRP
-------------	------	--------	----------	-----------	------

GripLoc™ Compression Male Adapter (continued)

**WARNING: DO NOT INSERT FINGERS**

For Cold Water Only - Mipt x EPDM GripLoc™ Gasket

S135-10	1	1	25	131	18.13
S135-12	1-1/4	1	20	131	20.91
S135-15	1-1/2	1	25	131	23.81
S135-20	2	1	25	131	29.28

GripLoc™ Compression Female Adapter

**WARNING: DO NOT INSERT FINGERS**

For Cold Water Only - Fipt x EPDM

GripLoc™ Gasket



Hand Tighten ONLY - No Nut Wrenches Required

S136-05	1/2	1	28	131	21.84
S136-07	3/4	1	24	131	24.37
S136-10	1	1	20	131	28.41
S136-12	1-1/4	1	20	131	39.06
S136-15	1-1/2	1	16	131	49.46
S136-20	2	1	10	131	60.78

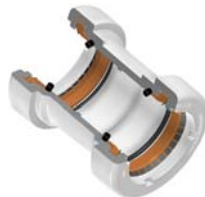
GripLoc™ Coupling

GripLoc™ Coupling

**WARNING: DO NOT INSERT FINGERS**

For Cold Water Only - EPDM Gasket

Pressure Rated to 235 psi @ 73°F



Uses No Solvent Cement

GL429-005	1/2	600	0	131	15.79
GL429-007	3/4	1	36	131	20.65
GL429-010	1	1	20	131	21.26
GL429-012	1-1/4	1	15	131	25.27
GL429-015	1-1/2	1	15	131	25.27
GL429-020	2	1	10	131	26.24

GripLoc™ IPS Size Release Tool

For Removal of GripLoc™ Fittings



GLIPSRT-005	1/2	1	50	299	5.83
GLIPSRT-007	3/4	1	50	299	5.83
GLIPSRT-010	1	1	50	299	5.83

GripLoc™ Cap

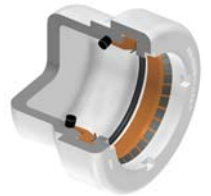
Part Number	Size	Std Pk	Mstr Ctn	Prod Code	MSRP
-------------	------	--------	----------	-----------	------

GripLoc™ Cap

**WARNING: DO NOT INSERT FINGERS**

For Cold Water Only - EPDM Gasket

Pressure Rated to 235 psi @ 73°F



Uses No Solvent Cement

GL447-005	1/2	1	50	131	14.51
GL447-007	3/4	10	50	131	18.81
GL447-010	1	1	50	131	19.75
GL447-012	1-1/4	1	25	131	25.96
GL447-015	1-1/2	1	25	131	29.54
GL447-020	2	1	25	131	33.12