

LEAD-FREE* PUSH FITTINGS, VALVES & FLEXIBLE CONNECTORS

APPLICATIONS

- Specifically designed for use in commercial and residential potable water systems
- For use with: Hard drawn copper K, L, and M; PEX (with tube stiffeners); CPVC

MATERIALS & CONSTRUCTION

- NIBCO lead-free dezincification resistant (DZR) fittings and valves are made of high quality lead-free brass
- Flexible connector hose made with reinforced braided stainless steel

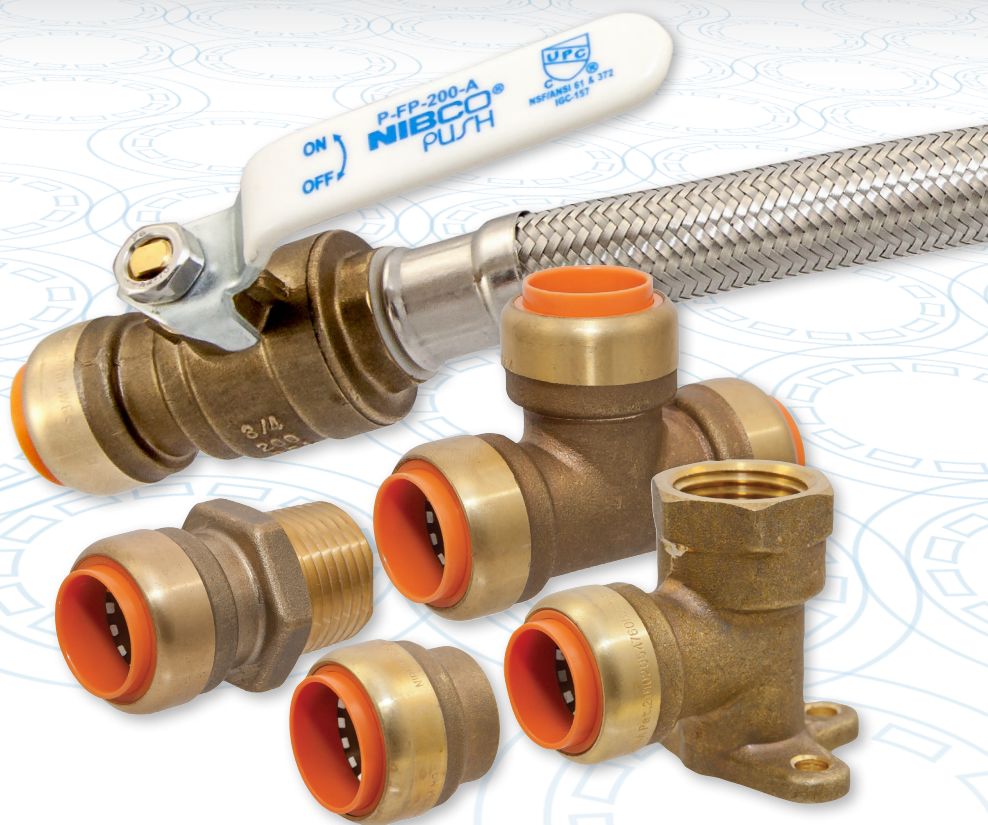
DESIGN CRITERIA

- Certified to 200 psi and 200° F
- Fittings meet NSF/ANSI 14, 61 and 372 and ASSE 1061
- Valves certified to NSF/ANSI 61 & 372 and IGC-157
- Flexible connectors meet NSF/ANSI 61 & 372, ASME A112.18.6, CSA B125.6, and ICG-157

* Weighted average lead content ≤ 0.25%

Take care of plumbing system repairs or remodeling projects fast with a variety of NIBCO® Push-to-Connect fittings and valves that you simply push into place until they lock. Top-flight delivery rates ensure you'll have NIBCO product available when you need it, saving you time so you can easily increase your business.

FITTINGS, VALVES & FLEXIBLE CONNECTORS



NIBCO®
PUSH

AHEAD OF THE FLOW®

NIBCO INC.

WORLD HEADQUARTERS

WEB: www.nibco.com

1516 MIDDLEBURY STREET

ELKHART, IN 46516-4740

USA

DOMESTIC CUSTOMER SERVICE

PHONE: 800.234.0227

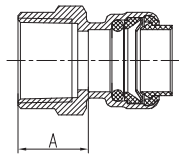
FAX: 800.234.0557

INTERNATIONAL OFFICE

PHONE: +1/574.295.3327

FAX: +1/574.295.3455

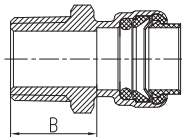
ADAPTERS



P703

Lead-Free* Adapter - Push x Female

NOM. SIZE	APPROX. NET WT./LBS.	DIM. A INCHES
1/4 x 1/2	0.13	13/16
3/8 x 1/2	0.11	3/4
1/2	0.11	23/32
1/2 x 3/4	0.15	25/32
3/4	0.17	11/16
1	0.29	29/32

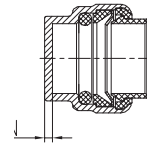


P704

Lead-Free* Adapter - Push x Male

NOM. SIZE	APPROX. NET WT./LBS.	DIM. B INCHES
1/4 x 1/2	0.13	7/8
3/8 x 1/2	0.13	7/8
1/2	0.12	7/8
1/2 x 3/4	0.16	1
3/4	0.19	15/16
1	0.32	1 1/8
1 x 3/4	0.22	1 1/32

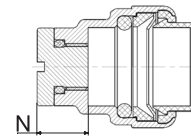
CAPS



P717

Lead-Free* Cap - Push

NOM. SIZE	APPROX. NET WT./LBS.	DIM. N INCHES
1/4	0.03	1/16
3/8	0.05	3/32
1/2	0.05	1/16
3/4	0.10	3/32
1	0.17	3/32

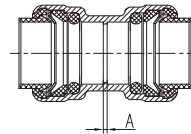


P717-D

Lead-Free* Cap with drain

NOM. SIZE	APPROX. NET WT./LBS.	DIM. N INCHES
1/2	0.08	13/32

COUPLINGS

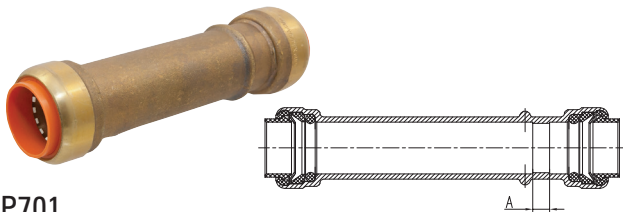


P700

Lead-Free* Coupling - Push x Push

NOM. SIZE	APPROX. NET WT./LBS.	DIM. A INCHES
1/4	0.05	1/32
1/4 x 1/2	0.09	1/8
3/8	0.08	1/32
3/8 x 1/4	0.07	1/16
3/8 x 1/2	0.09	3/32
1/2	0.08	1/32
3/4	0.15	3/32
3/4 x 1/2	0.13	1/32
1	0.27	1/8
1 x 3/4	0.22	3/32

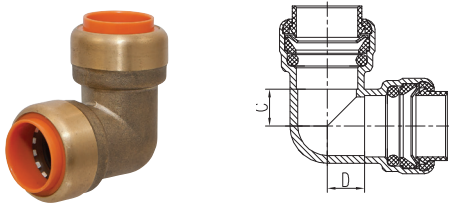
COUPLINGS CONT'D



P701
Lead-Free* Repair Coupling - Push x Push

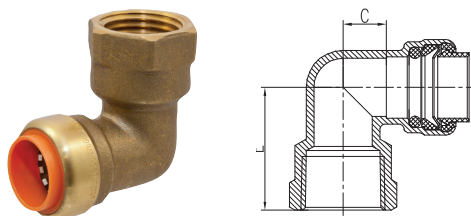
NOM. SIZE	APPROX. NET WT./LBS.	DIM. A INCHES
1/2	0.20	7/32
3/4	0.32	7/32
1	0.50	5/16

ELBOWS



P707
Lead-Free* 90° Elbow - Push x Push

NOM. SIZE	APPROX. NET WT./LBS.	DIM. C INCHES	DIM. D INCHES
1/4	0.07	1/4	1/4
3/8	0.09	9/32	9/32
1/2	0.12	3/8	3/8
1/2 x 3/8	0.13	11/32	17/32
3/4	0.22	15/32	15/32
3/4 x 1/2	0.16	5/8	5/8
1	0.40	21/32	3/8

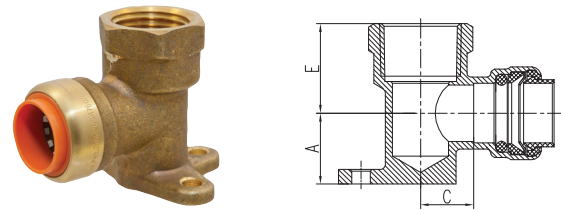


P707-3
Lead-Free* 90° Elbow - Push x Female

NOM. SIZE	APPROX. NET WT./LBS.	DIM. C INCHES	DIM. E INCHES
1/2	0.16	7/16	1 1/4
3/4	0.27	9/16	1 7/16

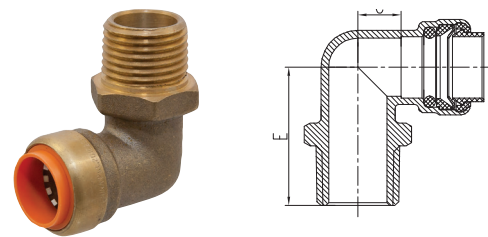
* Weighted average lead content ≤ 0.25%

ELBOWS CONT'D



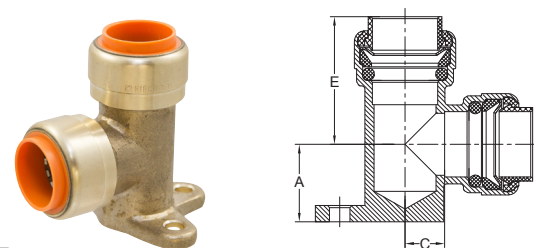
P707-3-5
Lead-Free* 90° Drop Elbow - Push x Female

NOM. SIZE	APPROX. NET WT./LBS.	DIM. C INCHES	DIM. E INCHES	DIM. A INCHES
3/8 x 1/2	0.20	7/16	15/16	3/4
1/2	0.21	3/4	9/16	15/16
3/4	0.32	1 7/32	1 3/16	13/16



P707-4
Lead-Free* 90° Elbow - Push x Male

NOM. SIZE	APPROX. NET WT./LBS.	DIM. C INCHES	DIM. E INCHES
1/4 x 3/8	0.16	5/16	1 1/16
1/2	0.17	7/16	1 13/32
1/2 x 3/8	0.17	9/16	1 7/32
3/4	0.26	17/32	1 5/8

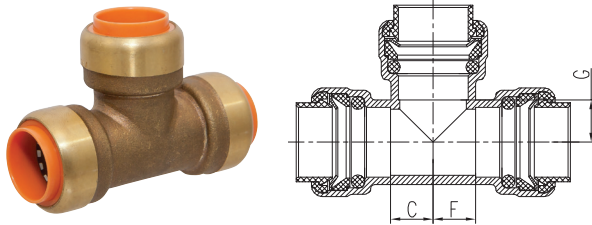


P707-5
Lead-Free* 90° Drop Elbow - Push x Push

NOM. SIZE	APPROX. NET WT./LBS.	DIM. A INCHES	DIM. C INCHES	DIM. E INCHES
1/2	0.19	3/4	3/8	1 1/4

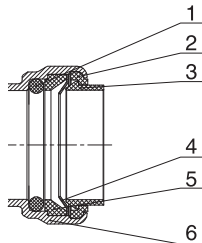
Visit our website for the most current information.

TEES



P711
 Lead-Free* Tee - Push x Push x Push

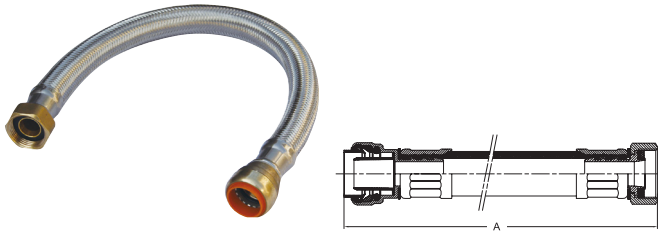
NOM. SIZE	APPROX. NET WT. LBS.	DIMENSIONS INCHES		
		C	F	G
1/4	0.10	1/4	1/4	1/4
3/8	0.13	9/32	9/32	9/32
1/2	0.16	3/8	3/8	3/8
1/2 x 1/2 x 1/4	0.15	1/4	5/16	1/2
1/2 x 1/2 x 3/8	0.15	1/4	1/4	3/8
3/8 x 3/8 x 1/2	0.17	5/16	5/16	1/2
3/4	0.32	1/2	1/2	1/2
3/4 x 1/2 x 1/2	0.22	5/8	5/8	5/8
3/4 x 1/2 x 3/4	0.28	3/8	3/8	9/16
3/4 x 3/4 x 1/2	0.26	1/2	1 1/16	1/2
1	0.54	5/8	3/8	3/8
1 x 1 x 3/4	0.44	1/2	1/2	3/8



Lead-Free* Push Fittings - MATERIAL LIST

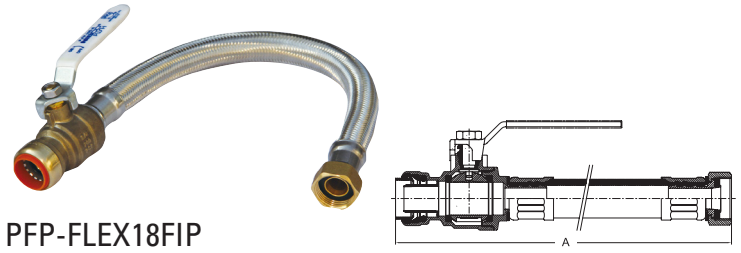
PART	SPECIFICATION
1. O-ring	EPDM
2. Nut	POM
3. Release Collar	POM
4. Grip Ring	316SS
5. Protector Ring	POM
6. Body	Lead-Free Brass

FLEXIBLE CONNECTORS



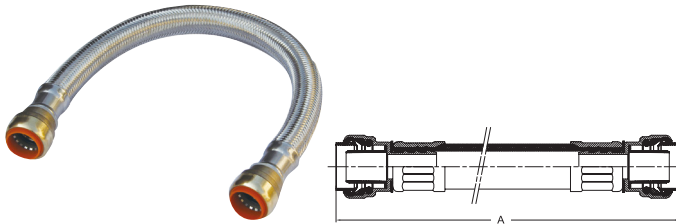
P-FLEX18FIP
Lead-Free* Water Heater Connector - Push x FIP ⚠

NOM. SIZE	APPROX. NET WT./LBS.	DIM. A INCHES
1/2 x 3/4	0.537	18
3/4 x 3/4	0.613	18



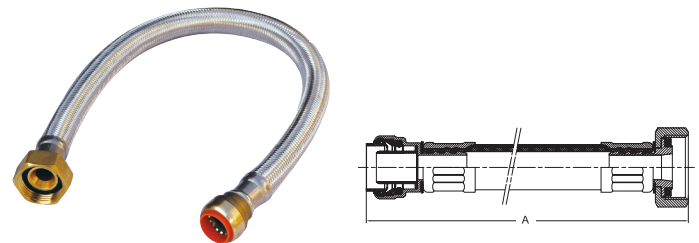
PFP-FLEX18FIP
Lead-Free* Water Heater Connector
w/Ball Valve - Push x FIP ⚠

NOM. SIZE	APPROX. NET WT./LBS.	DIM. A INCHES
1/2 x 3/4	0.879	18
3/4 x 3/4	1.058	18



P-FLEX18
Lead-Free* Repair Connector - Push x Push ⚠

NOM. SIZE	APPROX. NET WT./LBS.	DIM. A INCHES
1/2	0.494	18
3/4	0.567	18

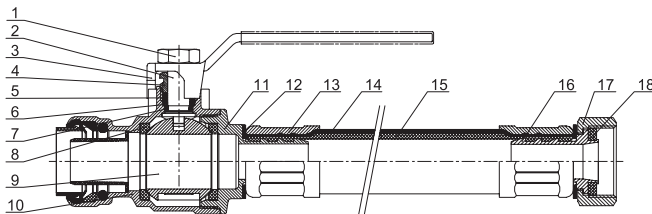


P-FLEX24FIP
Lead-Free* Water Softener Connector - Push x FIP ⚠

NOM. SIZE	APPROX. NET WT./LBS.	DIM. A INCHES
3/4 x 1	0.79	24

P-FLEX HOSE CONNECTORS MATERIAL LIST

PART	SPECIFICATION
1. Handle Nut	304 Stainless Steel
2. Stem	C48600
3. Handle	Zinc Plated Steel
4. Gland Nut	Brass ASTM B16 C36000
5. Packing	PTFE
6. Washer	Brass ASTM B16 C36000
7. O-ring	EPDM
8. Seat	PTFE
9. Ball	Lead-Free Brass
10. Body	Lead-Free Brass
11. End Plug	Lead-Free Brass
12. Washer	PA
13. Sleeve	304 Stainless Steel
14. Steel Wire	304 Stainless Steel
15. Tube	EPDM
16. Fitting	C48600
17. Nut	C37700
18. Seal Face	EPDM



⚠ WARNING: This product can expose you to chemicals including lead, which is known to the State of California to cause cancer and birth defects or other reproductive harm. For more information go to www.P65Warnings.ca.gov.

* Weighted average lead content ≤ 0.25%

Visit our website for the most current information.

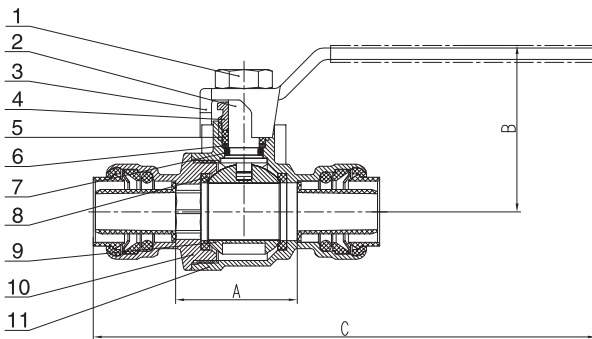
VALVES



PFP200A

Lead-Free* Ball Valve - Push x Push ⚠

NOM. SIZE	APPROX. NET WT./LBS.	DIM. A INCHES	DIM. B INCHES	DIM. C INCHES
3/8	0.36	1¼	1½	5 ¹ / ₃₂
1/2	0.36	1¼	1 ²³ / ₃₂	5 ¹ / ₃₂
3/4	0.59	1½	1 ²⁷ / ₃₂	5 ⁷ / ₁₆
1	1.32	1 ¹³ / ₁₆	1 ⁷ / ₁₆	6 ¹ / ₂



MATERIAL LIST

PART	SPECIFICATION
1. Handle Nut	304 Stainless Steel
2. Stem	C48600
3. Handle	Zinc Plated Steel
4. Gland Nut	Brass ASTM B16 C36000
5. Packing	PTFE
6. Washer	Brass ASTM B16 C36000
7. O-ring	EPDM
8. Seat	PTFE
9. Ball	Lead-Free Brass
10. Body	Lead-Free Brass
11. End Plug	Lead-Free Brass

⚠ WARNING: This product can expose you to chemicals including lead, which is known to the State of California to cause cancer and birth defects or other reproductive harm. For more information go to www.P65Warnings.ca.gov.

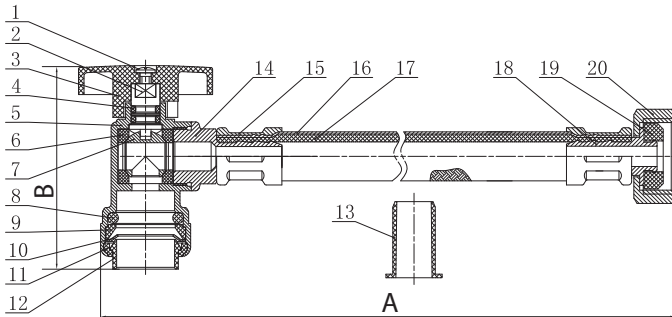
VALVES CONT'D



Toilet Supply Line (12")



Faucet Supply Line (20")



P7185FX-LF

Lead-Free* Angle Stop - Push x FIP ⚠

NOM. SIZE	APPROX. NET WT./LBS.	DIM. A INCHES	DIM. B INCHES	Suggested Application
1/2	0.425	20"	2.21	FAUCET SUPPLY LINE
1/2 x 7/8	0.425	12"	2.21	TOILET SUPPLY LINE

MATERIAL LIST

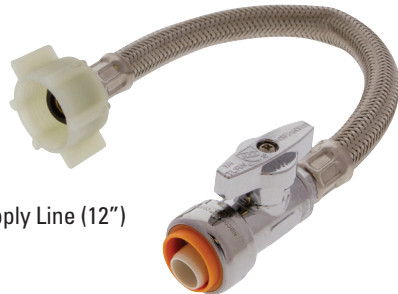
PART	SPECIFICATION
1. Screw	Steel
2. Stem	DZR Brass
3. Handle	ABS
4. O-Ring (2)	EPDM
5. Body	Lead Free DZR Brass
6. Seat (2)	PTFE
7. Ball	Lead Free DZR Brass
8. O-Ring	EPDM
9. Protector	PA
10. Grab Ring	SS316
11. Nut	POM
12. Release Collar	POM
13. Liner/Stiffener (for PEX)	PPSU
14. Body End	Lead Free DZR Brass
15. Sleeve (2)	SS304
16. Steel Wire	SS304
17. Tube	PVC
18. Fitting	DZR Brass
19. Washer	EPDM
20. Nut (1/2")	Brass
20. Nut (7/8")	Nylon

⚠ WARNING: This product can expose you to chemicals including lead, which is known to the State of California to cause cancer and birth defects or other reproductive harm. For more information go to www.P65Warnings.ca.gov.

* Weighted average lead content ≤ 0.25%

Visit our website for the most current information.

VALVES CONT'D




Toilet Supply Line (12")



Faucet Supply Line (20")


P7180FX-LF

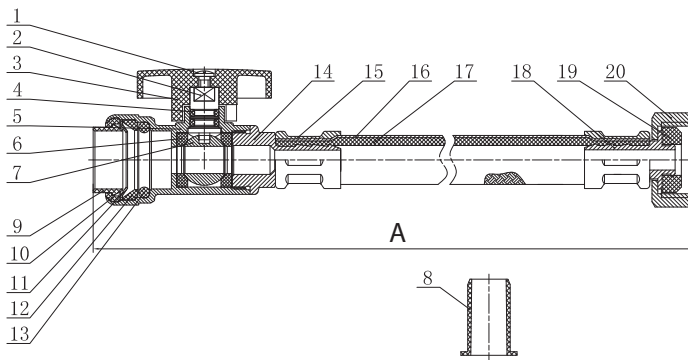
Lead-Free* Straight Stop - Push x FIP 

NOM. SIZE	APPROX. NET WT./LBS.	DIM. A INCHES	Suggested Application
1/2	0.414	20"	FAUCET SUPPLY LINE
1/2 x 7/8	0.315	12"	TOILET SUPPLY LINE

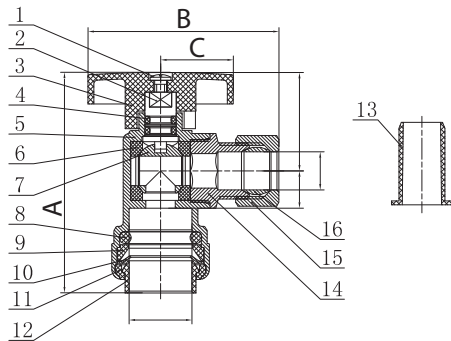
MATERIAL LIST

PART	SPECIFICATION
1. Screw	Steel
2. Stem	DZR Brass
3. Handle	ABS
4. O-Ring (2)	EPDM
5. Body	Lead Free DZR Brass
6. Seat (2)	PTFE
7. Ball	Lead Free DZR Brass
8. Liner/Stiffener (for PEX)	PPSU
9. Release Collar	POM
10. Nut	POM
11. Grab Ring	SS316
12. Protector	PA
13. O-Ring	EPDM
14. Body End	Lead Free DZR Brass
15. Sleeve (2)	SS304
16. Steel Wire	SS304
17. Tube	PVC
18. Fitting	DZR Brass
19. Washer	EPDM
20. Nut (1/2")	Brass
20. Nut (7/8")	Nylon

 **WARNING:** This product can expose you to chemicals including lead, which is known to the State of California to cause cancer and birth defects or other reproductive harm. For more information go to www.P65Warnings.ca.gov.



VALVES CONT'D



P7185-LF

Lead-Free* Angle Supply Stop - Push x Comp ⚠

NOM. SIZE	APPROX. NET WT./LBS.	DIM. A INCHES	DIM. B INCHES	DIM. C INCHES
1/2 x 3/8	0.249	2.21"	1.91	0.73

MATERIAL LIST

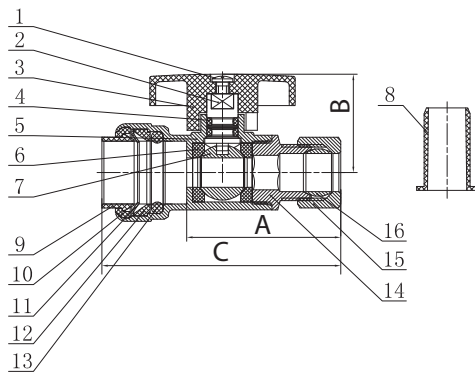
PART	SPECIFICATION
1. Screw	Steel
2. Stem	DZR Brass
3. Handle	ABS
4. O-Ring (2)	EPDM
5. Body	Lead Free DZR Brass
6. Seat (2)	PTFE
7. Ball	Lead Free DZR Brass
8. O-Ring	EPDM
9. Protector	PA
10. Grab Ring	SS316
11. Nut	POM
12. Release Collar	POM
13. Liner/Stiffener (for PEX)	PPSU
14. Body End	Lead Free DZR Brass
15. Cap	Brass
16. Compression Ring (Ferrule/Olive)	Copper

⚠ WARNING: This product can expose you to chemicals including lead, which is known to the State of California to cause cancer and birth defects or other reproductive harm. For more information go to www.P65Warnings.ca.gov.

* Weighted average lead content ≤ 0.25%

Visit our website for the most current information.

VALVES CONT'D



P7180-LF

Lead-Free* Straight Supply Stop - Push x Comp ⚠

NOM. SIZE	APPROX. NET WT./LBS.	DIM. A INCHES	DIM. B INCHES	DIM. C INCHES
1/2 x 3/8	0.198	1.54	0.99	2.4

MATERIAL LIST

PART	SPECIFICATION
1. Screw	Steel
2. Stem	DZR Brass
3. Handle	ABS
4. O-Ring (2)	EPDM
5. Body	Lead Free DZR Brass
6. Seat (2)	PTFE
7. Ball	Lead Free DZR Brass
8. Liner/Stiffener (for PEX)	PPSU
9. Release Collar	POM
10. Nut	POM
11. Grab Ring	SS316
12. Protector	PA
13. O-Ring	EPDM
14. Body End	Lead Free DZR Brass
15. Cap	Brass
16. Compression Ring (Ferrule/Olive)	Copper

⚠ WARNING: This product can expose you to chemicals including lead, which is known to the State of California to cause cancer and birth defects or other reproductive harm. For more information go to www.P65Warnings.ca.gov.

VALVES CONT'D

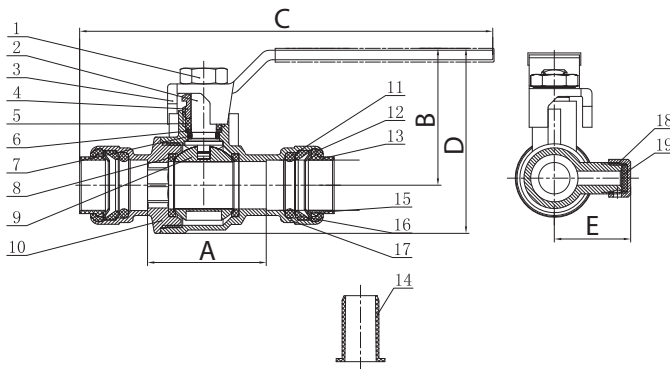


P-FP-200-D-LF

Lead-Free* Ball Valve with Drain - Push x Push ⚠

NOM. SIZE	APPROX. NET. WT./LBS	DIM. A INCHES	DIM. B INCHES	DIM. C INCHES	DIM. D INCHES	DIM. E INCHES
1/2	0.505	1.49	1.72	5.18	2.32	0.96
3/4	0.712	1.66	1.85	5.42	2.60	0.96
1	1.276	2.08	2.42	6.46	3.34	1.25

MATERIAL LIST



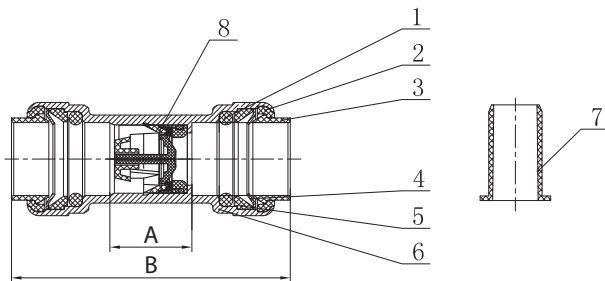
PART	SPECIFICATION
1. Lock Nut	SS304
2. Stem	Brass
3. Handle	Zinc Plated Steel
4. Gland Nut	Brass
5. Packing	PTFE
6. Washer	Brass
7. O-Ring	EPDM
8. Seat (2)	PTFE
9. Ball	Lead Free DZR Brass
10. Body End	Lead Free DZR Brass
11. O-Ring (2)	EPDM
12. Nut (2)	POM
13. Release Collar (2)	POM
14. Liner/Stiffener (for PEX) (2)	PPSU
15. Grab Ring (2)	SS316
16. Protector (2)	PA
17. Body	Lead Free DZR Brass
18. Cap	Brass
19. Washer	EPDM

⚠ WARNING: This product can expose you to chemicals including lead, which is known to the State of California to cause cancer and birth defects or other reproductive harm. For more information go to www.P65Warnings.ca.gov.

* Weighted average lead content ≤ 0.25%

Visit our website for the most current information.

VALVES CONT'D



P480W-LF

Lead-Free* Check Valve Inline - Push x Push ⚠

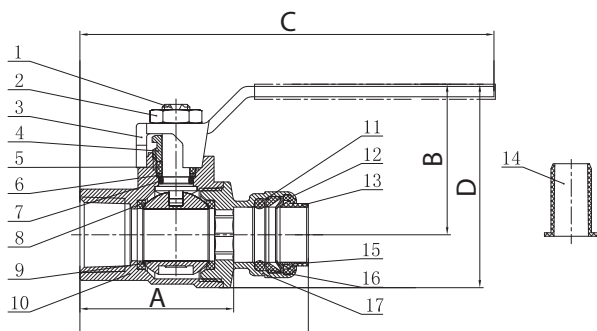
NOM. SIZE	APPROX. NET WT./LBS.	DIM. A INCHES	DIM. B INCHES
1/2	0.149	0.71	2.41
3/4	0.280	0.94	3.00
1	0.509	1.61	3.43

MATERIAL LIST

PART	SPECIFICATION
1. O-Ring (2)	EPDM
2. Nut (2)	POM
3. Release Collar (2)	POM
4. Grab Ring (2)	SS316
5. Protector (2)	PA
6. Ball	Lead Free DZR Brass
7. Liner/Stiffener (for PEX) (2)	PPSU
8. Check Valve	Spring Loaded Insert

TP-FP-200-LF

Lead-Free* Ball Valve - Push x FPT ⚠



NOM. SIZE	APPROX. NET. WT./LBS	DIM. A INCHES	DIM. B INCHES	DIM. C INCHES	DIM. D INCHES
1/2	0.496	1.75	1.42	4.72	2.32
3/4	0.725	2.00	1.85	4.85	2.60
1	1.186	2.54	2.45	5.88	3.34

MATERIAL LIST

PART	SPECIFICATION
1. Stem	Brass
2. Lock Nut	SS304
3. Handle	Zinc Plated Steel
4. Gland Nut	Brass
5. Packing	PTFE
6. Washer	Brass
7. O-Ring	EPDM
8. Seat (2)	PTFE
9. Ball	Lead Free DZR Brass
10. Body	Lead Free DZR Brass
11. O-Ring	EPDM
12. Nut	POM
13. Release Collar	POM
14. Liner/Stiffener (for PEX)	PPSU
15. Grab Ring	SS316
16. Protector	PA
17. Body End	Lead Free DZR Brass

⚠ WARNING: This product can expose you to chemicals including lead, which is known to the State of California to cause cancer and birth defects or other reproductive harm. For more information go to www.P65Warnings.ca.gov.

Visit our website for the most current information.

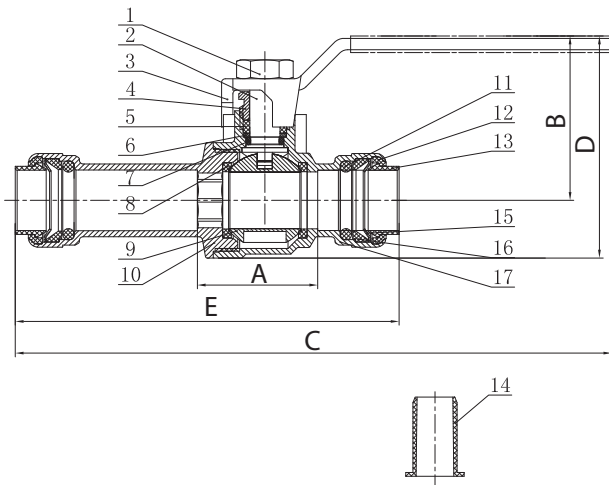
* Weighted average lead content ≤ 0.25%

VALVES CONT'D



P-FP-200-S-LF
Lead-Free* Slip Ball Valve - Push x Push ⚠

NOM. SIZE	APPROX. NET. WT./LBS	DIM. A INCHES	DIM. B INCHES	DIM. C INCHES	DIM. D INCHES	DIM. E INCHES
1/2		1.25	1.73	6.23	2.32	4.0
3/4		1.49	1.85	6.67	2.60	4.78
1		1.81	2.42	7.80	3.34	5.42



MATERIAL LIST

PART	SPECIFICATION
1. Lock Nut	SS304
2. Stem	Brass
3. Handle	Zinc Plated Steel
4. Gland Nut	Brass
5. Packing	PTFE
6. Washer	Brass
7. O-Ring	EPDM
8. Seat (2)	PTFE
9. Ball	Lead Free DZR Brass
10. Body End	Lead Free DZR Brass
11. O-Ring (2)	EPDM
12. Nut (2)	POM
13. Release Collar (2)	POM
14. Liner/Stiffener (for PEX)	PPSU
15. Grab Ring (2)	SS316
16. Protector (2)	PA
17. Body	Lead Free DZR Brass

⚠ WARNING: This product can expose you to chemicals including lead, which is known to the State of California to cause cancer and birth defects or other reproductive harm. For more information go to www.P65Warnings.ca.gov.

* Weighted average lead content ≤ 0.25%

Visit our website for the most current information.

VALVES CONT'D



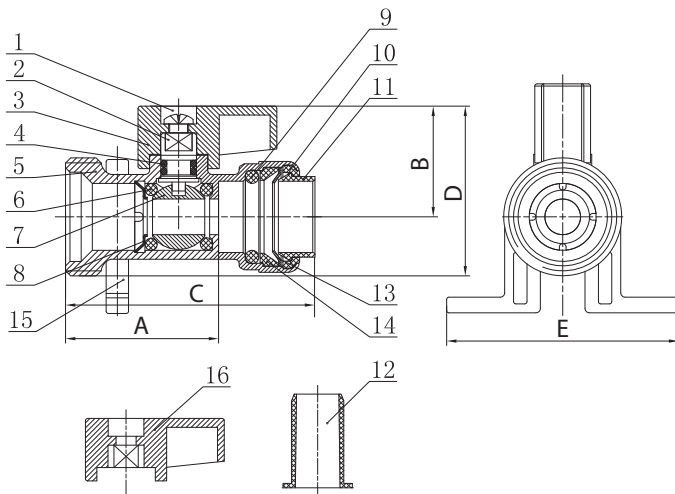
PWMV-LF

Lead-Free* Washing Machine Ball Valve - Push x MHT ⚠

NOM. SIZE	APPROX. NET WT./LBS	DIM. A INCHES	DIM. B INCHES	DIM. C INCHES	DIM. D INCHES	DIM. E INCHES
1/2 x 3/4	0.192	1.35	0.98	2.2	1.38	2.05

MATERIAL LIST

PART	SPECIFICATION
1. Screw	Steel
2. Stem	DZR Brass
3. Handle (Blue)	Zinc Alloy
4. O-Ring (2)	EPDM
5. Body	Lead Free DZR Brass
6. O-Ring (2)	EPDM
7. Ball	Lead Free DZR Brass
8. Clip	SS304
9. O-Ring	EPDM
10. Nut	POM
11. Release Collar	POM
12. Liner/Stiffener (for PEX)	PPSU
13. Grab Ring	SS316
14. Protector	PA
15. Mounting piece	PA
16. Handle (Red)	Zinc Alloy



ACCESSORIES

Removal Tool ⚠



NOM. SIZE	APPROX. NET WT./LBS.
1/4	0.013
3/8	0.013
1/2	0.013
3/4	0.013
1	0.013

⚠ WARNING: This product can expose you to chemicals including lead, which is known to the State of California to cause cancer and birth defects or other reproductive harm. For more information go to www.P65Warnings.ca.gov.

Visit our website for the most current information.

* Weighted average lead content ≤ 0.25%

NIBCO® Push-to-Connect Fittings, Valves, and Flexible Connectors Warranty

NIBCO INC. LIMITED WARRANTY

Applicable to NIBCO INC. Push-to-Connect Fittings, Valves, and Flexible Connectors

NIBCO INC. warrants:

- NIBCO® Push fittings to be free from defects in materials and workmanship under normal use and service, for a period twenty five (25) years from the date of original installation.
- NIBCO® Push valves and flexible connectors to be free from defects in materials and workmanship under normal use and service, for a period of two (2) years from the date of original installation.

In the event any defect in material or workmanship occurs which the owner believes is covered by this warranty, the owner should immediately contact NIBCO Technical Services, either in writing or by telephone at (888) 446-4226 or (574) 295-3000. The owner will be instructed to return the said product, at the owner's expense, to NIBCO INC., or to an authorized representative for inspection. In the event said inspection disclosed to the satisfaction of NIBCO INC. that said fitting, valve, or flexible connector is defective in material or workmanship, a replacement fitting, valve or flexible connector will be shipped free of charge to the purchaser. This warranty is limited to the cost of repairing or replacing the product.

TO THE EXTENT PERMITTED BY APPLICABLE LAW, THIS WARRANTY SPECIFICALLY EXCLUDES INCIDENTAL AND CONSEQUENTIAL DAMAGES OF EVERY TYPE AND DESCRIPTION RESULTING FROM ANY CLAIMED DEFECT IN MATERIAL OR WORKMANSHIP, INCLUDING BUT NOT LIMITED TO, PERSONAL INJURIES AND PROPERTY MERCHANTABILITY AND FITNESS FOR A PARTICULAR PURPOSE ARE SPECIFIC EXCLUDED.

This warranty gives you specific legal rights, and you may also have other rights which vary from state to state and country to country.



How to Order

State quantity, figure number and size for each valve or fitting you wish to order. See individual catalog pages for specific or special product designations.

HOW MANY TO ORDER

NIBCO® valves and fittings are decimal packed for your convenience in handling, shipping and stock-keeping. Number in master carton varies with item.

POLICY ON RETURNS TO FACTORY

No NIBCO valves and fittings are to be returned without prior written agreement. Transportation must be prepaid. A 20% charge will be made to cover cost of rehandling and reinspection.

TECHNICAL ASSISTANCE

Engineers, contractors, wholesalers or manufacturers may obtain special or technical assistance from any factory representative of NIBCO. Write, fax or phone.

NIBCO INC.
World Headquarters
1516 Middlebury Street
Elkhart, IN 46516-4740
USA

PH: 1.574.295.3000 or 1.888.446.4226
FAX: 1.574.295.3307 or 1.888.336.4226

To the best of our knowledge, the information contained in this publication is accurate. However, NIBCO does not assume any liability whatsoever for the accuracy or completeness of such information. Final determinations of the suitability of any information or product for the use to be contemplated is the sole responsibility of the user. The manner of that use, and whether there is any infringement of patents, is also the sole responsibility of the user.

* Weighted average lead content ≤ 0.25%

Visit our website for the most current information.

VALVES



Pressure-rated bronze, iron and alloy-iron gate, globe and check valves • Pressure-rated bronze ball valves • Boiler specialty valves • Commercial and industrial butterfly valves • Lined butterfly valves • Circuit balancing valves • Carbon and stainless steel ball valves • ANSI flanged steel ball valves • Lined ball valves • Pneumatic and electric actuators and controls • Grooved ball and butterfly valves • High performance butterfly valves • UL/FM fire protection valves • MSS specification valves • Bronze specialty valves • Low pressure gate, globe, check and ball valves • Frostproof sillcocks • Quarter-turn supply stops • Quarter-turn low pressure valves • PVC and CPVC plumbing and industrial ball valves • Bronze & Iron Y-strainers • Sample valves • Sanitary valves • Lead-Free* valves • Coil-Connect® Kits

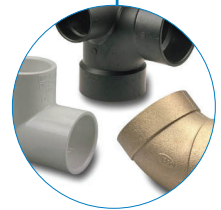
*Weighted average lead content ≤0.25%

FITTINGS

Wrot and cast copper pressure and drainage fittings • Cast copper alloy flanges • Wrot and cast press fittings • ABS and PVC DWV fittings • Schedule 40 PVC pressure fittings • CPVC CTS fittings • CPVC CTS-to-metal transition fittings • Schedule 80 PVC and CPVC systems • CPVC BlazeMaster® fire protection fittings • Lead-Free* fittings

BlazeMaster® is a registered trademark of The Lubrizol Corporation.

*Weighted average lead content ≤0.25%



FLEXIBLE PIPING SYSTEMS



PE-RT and PEX tubing for potable and radiant applications • Insulated tubing • Risers • Ice maker tubing • Silicon Performance Bronze® fittings • Poly alloy fittings • Home Run Manifold® • Radiant heat manifolds • Ball valves and supply stops • Connections, tools and accessories • Radiant heat controls and panels

INDUSTRIAL PLASTICS

Thermoplastic pipe, valves, and fittings in PVC, Corzan® CPVC, polypropylene and PVDF Kynar® • Pneumatic and electric actuation systems • BlazeMaster® CPVC fire protection fittings

BlazeMaster® and Corzan® are registered trademarks of the Lubrizol Corporation • Kynar® is a registered trademark of Arkema Inc.



eNIBCO

EDI—Electronic Data Interchange • VMI—Vendor Managed Inventory • NIBCO.com • NIBCOpartner.com



NIBCO®
AHEAD OF THE FLOW®

NIBCO INC.
WORLD HEADQUARTERS
WEB: www.nibco.com

1516 MIDDLEBURY STREET
ELKHART, IN 46516-4740
USA

DOMESTIC CUSTOMER SERVICE
PHONE: 800.234.0227
FAX: 800.234.0557

TECHNICAL SERVICE
PHONE: 888.446.4226
FAX: 888.336.4226

INTERNATIONAL OFFICE
PHONE: +1/574.295.3327
FAX: +1/574.295.3455