

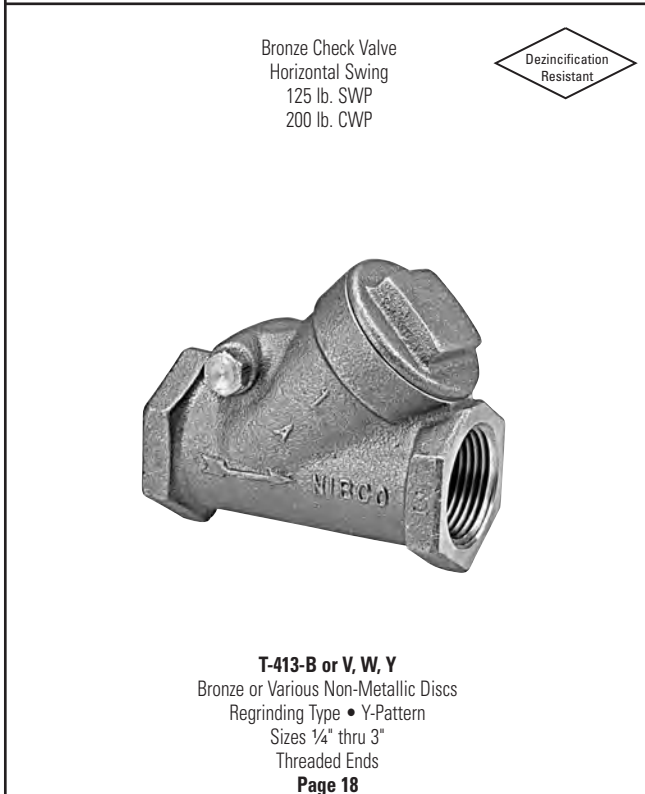
Bronze and Brass Check Valves Illustrated Index



Brass Check Valve
Horizontal Swing
200 lb. CWP



TI-3
Sizes 1/2" thru 4"
Threaded Ends
Page 17



Bronze Check Valve
Horizontal Swing
125 lb. SWP
200 lb. CWP



T-413-B or V, W, Y
Bronze or Various Non-Metallic Discs
Regrinding Type • Y-Pattern
Sizes 1/4" thru 3"
Threaded Ends
Page 18



Bronze Silent Check Valve
Ring Check Design • Spring Actuated
125 lb. SWP/250 lb. CWP (PTFE Disc)
250 lb. CWP (Buna-N Disc)



T-480
Buna-N or PTFE Disc
Spring Actuated
Sizes 3/8" thru 2"
Threaded Ends
Page 19