

Applications

Pipeline pressure
Irrigation systems
Tank level
Process control



PA-2 Manometer Sensor

The ideal choice for monitoring pressure in water distribution networks and irrigation mainlines

Unrivalled accuracy over a wide temperature range

Available in two pressure ranges

Easiest connection to Adcon RTU with 7pin Binder

The PA-2 pressure sensor is the ideal choice for monitoring pressure in water distribution networks and irrigation mainlines. It is made in Switzerland for Adcon Telemetry and incorporates the very latest techniques for construction, signal processing and automated compensation and adjustment.

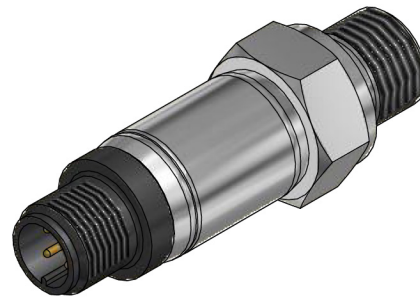
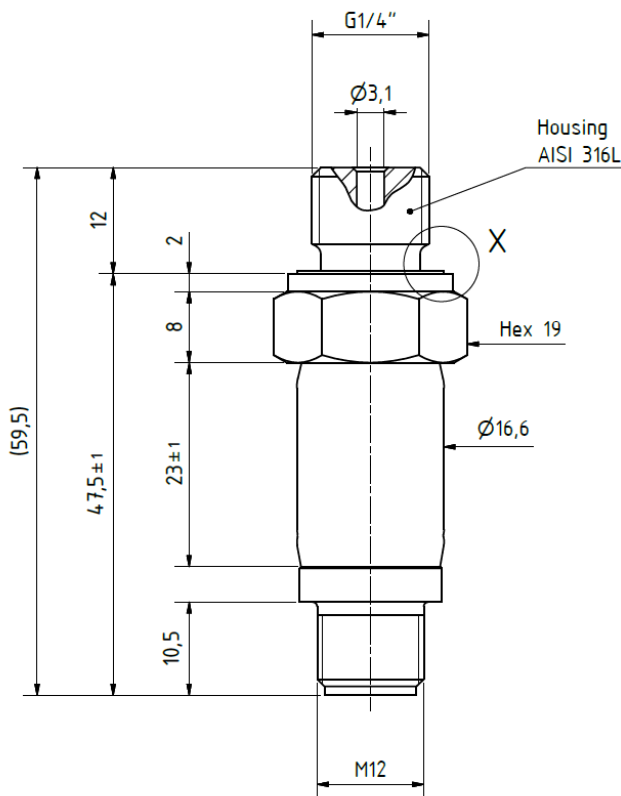
During the production process each transmitter is subjected to multiple temperature and pressure cycles. The final laser trimming adjustment gives unrivalled accuracy over a wide temperature range. The result is a cost-effective, affordable transmitter that has a specification better than other similarly priced products, and equal to many much more expensive transmitters.

The PA-2 is available in two pressure ranges: 0-10 bar and 0-30 bar.

The sensor is fitted with a 1/4" BSP thread. Adaptors for other pipe standards are available (e.g. NPT). An M12 to 7pin Binder cable connects the sensor to an Adcon RTU.

Technical Specifications

	Feature	Value
MEASUREMENT	Measuring method	piezo-resistive
	Accuracy overall	max. 1% FS (0...50°C); max. 1,5% FS (-10...80°C)
	Linearity	typ. 0,25% FS, max. 0,5% FS
	Measuring ranges	10 and 30 bar (absolute)
	Overpressure	20 and 60 bar respectively
ELECTRICAL DATA	Output signal	0,1... 2,5VDC
	Power Supply	5,5 ... 32VDC
ENVIRONMENTAL CONDITIONS	Protection class	IP65/IP67
	Temperature range	-40°C ... +100°C
	Temperature range compensated	0°C ... 50°
DIMENSIONS & WEIGHT	Dimensions	59,5mm x 22mm Ø
	Manometer thread	G 1/4" / NPT
	Weight (without cable)	52 g (without cable)
MATERIAL & CABLE CONNECTION	Material sensor	Stainless steel 316L (DIN 1.4435) / Viton / PE
	Connector to cable	M12 4-pin male
	Connector on cable (optional - please order separately)	4-pin M12 female (sensors); 7-pin M9 male Binder (Adcon RTU)
	Material cable	PUR, shielded
ORDERING INFORMATION	A200733163	ADCON PA-2 manometer 0-10 bar, 1/4" thread
	A200733164	ADCON PA-2 manometer 0-30 bar, 1/4" thread
	A200733165	ADCON PA-2 manometer 0-10 bar, 18NPT thread
	A200733166	Cable 5m for manometer Adcon PA-1/PA-2, M12f / M9m
	A200733167	Cable 10m for manometer Adcon PA-1/PA-2 M12f / M9m



		M12 plug	
	Pin	3-wire 0,1...2,5VDC	
	1	+Vcc	
	2	n.c.	
	3	GND	
	4	+OUT	