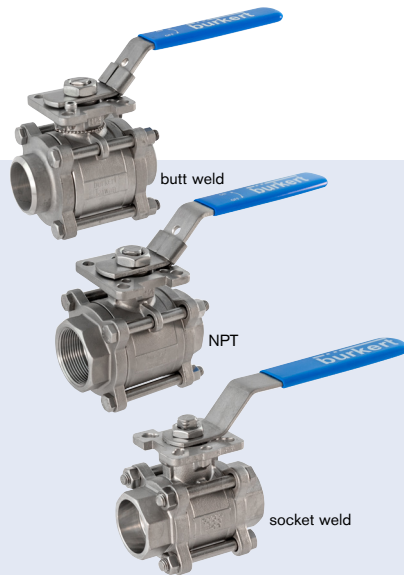


Quick delivery –
butt weld, NPT, and
socket weld ball valves



Ball Valves in cast 316 SS 2-way, 3-piece construction

- 1000/800 PSI WOG
- Thread, socket and butt weld ends
- Full port to Sch 40 pipe
- Semi lugged body
- Range of seal options
- Blow-out proof stem with self adjust packing
- ISO 5211 direct actuator mount

Technical data	
Valve size	1/2" to 4"
Body materials¹⁾	CF8M (cast 316 SS)
Ball material	316 SS
Stem material	316 SS
Port diameter class	Full port to Sch 40 pipe size
Ball seal material	PTFE (others to application)
Media	Compatible with materials of construction and pressure/temperature limits of seals
Viscosity	As torque effect allows
Packing gland	Self-adjusting RPTFE, PTFE, and FKM with 304SS guide/follower
Media temperature	-20°F to 375°F (PTFE), 450°F (TFM)
End connections	NPT – National pipe thread tapered Socket weld – to schedule pipe OD Butt weld – to schedule 40 pipe ID and OD
Installation	As required
Flow direction	Seals to rated pressure in both directions
Control option	Size to conditions or V Port Ball
Pressure class	1000 PSI – 1/4" to 2" 800 PSI – 2 1/2" to 4"

1) Other valve body materials available to meet your specifications, contact your local Bürkert representative for more information.

Options

- Manual handle
- Visual and electrical position feedback
- Bürkert NAMUR 3/2-way pilot valve
- Communication: ASi, Ethernet, CAN open, DeviceNet, 4-20mA
- Spring close/air open pneumatic actuation
- Electric actuation
- 60° V-ball for position or PID (with process variable input by customer) control

**Quick delivery –
butt weld, NPT, and
socket weld ball valves**

bürkert

Valve with pneumatic spring closed actuator, and high temperature version



**Valve with pneumatic spring closed actuator
and limit switch with feedback**



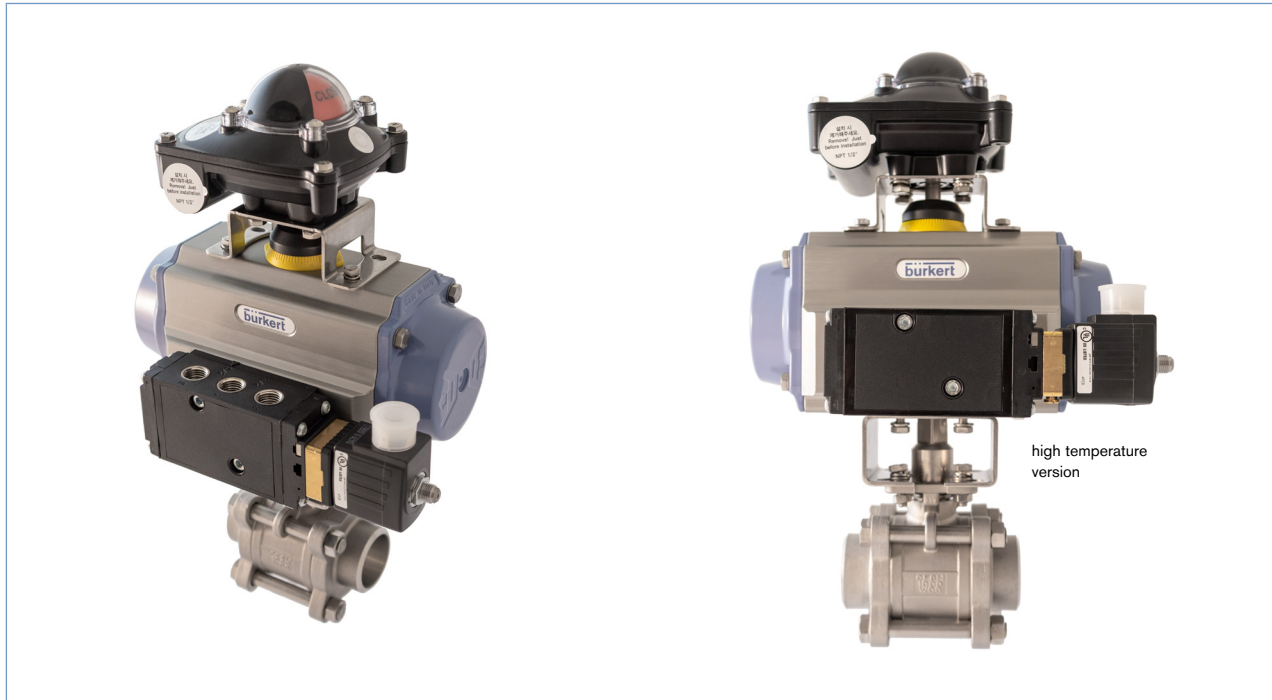
**Valve with pneumatic spring closed actuator
and pilot valve**



**Quick delivery –
butt weld, NPT, and
socket weld ball valves**

bürkert

**Valve with pneumatic spring closed actuator pilot valve and limit switch with feedback,
and high temperature version**



**Valve with pneumatic spring closed actuator pilot valve and limit switch with feedback,
and high temperature version**



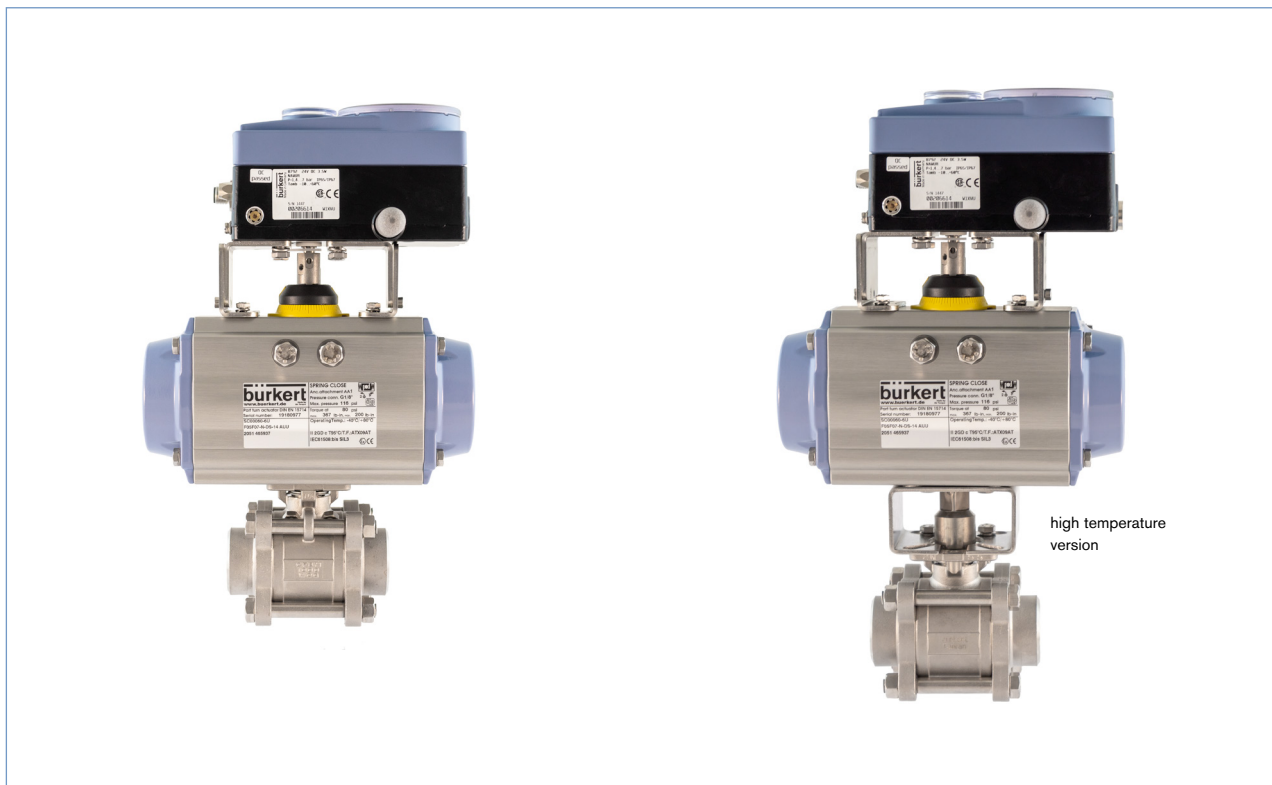
**Quick delivery –
butt weld, NPT, and
socket weld ball valves**

bürkert

**Valve with pneumatic spring closed actuator ASi pilot valve with feedback,
and high temperature version**



**Valve with pneumatic spring closed actuator Types 8791/8792/8793 position or PID control,
and high temperature version**



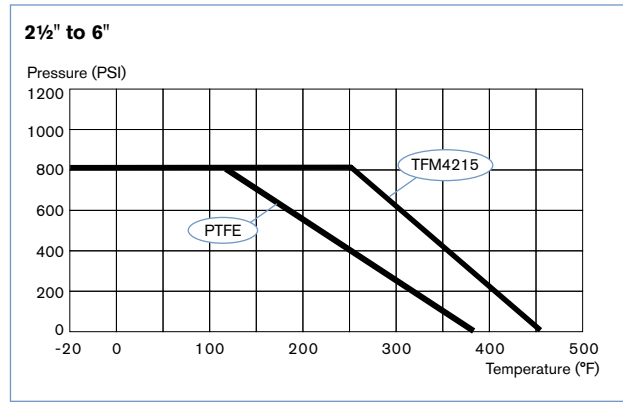
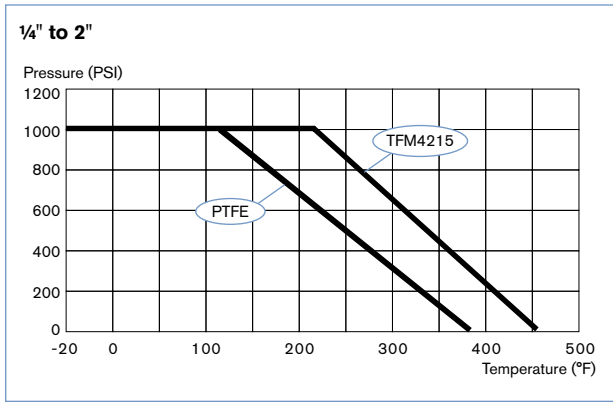
**Quick delivery –
butt weld, NPT, and
socket weld ball valves**



The information contained in this brochure is to provide enough information to order any valve combination offered within. For complete technical details please see the data sheets here-

Valves	Type 2654 standard
Pneumatic actuator	Type 2051
Pilot valve for on/off control	Types 6518/6519
Smaller electric actuator	Type 3003
Larger electric actuator	Type 3005
ASi on/off	Type 1061
ASi for position control	Type 8791 Positioner SideControl BASIC
Multiple communication protocol for position control	Type 8792
Multiple communication protocol for PID control	Type 8793

Pressure-temperature limits

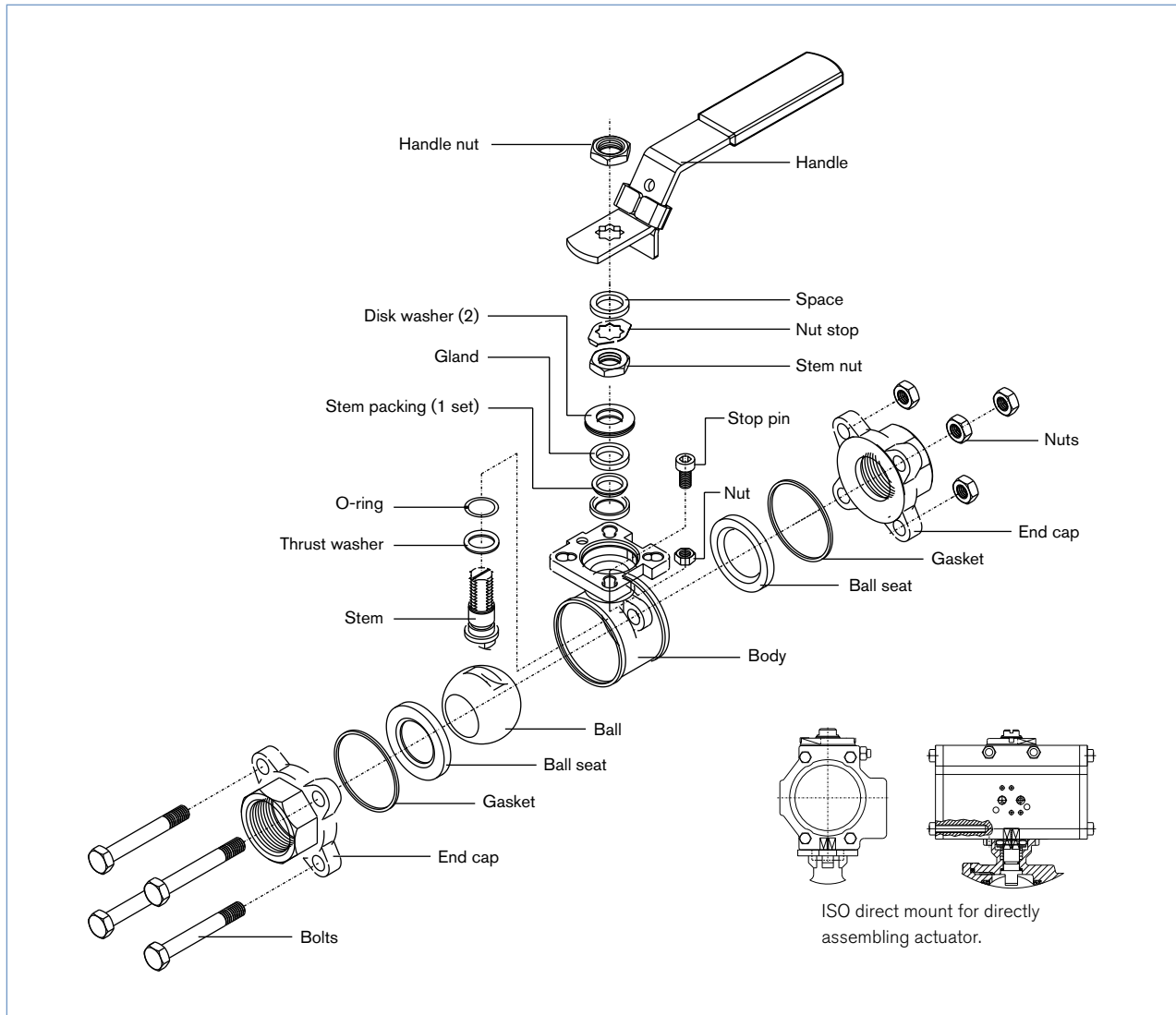


C_v for 60° v-ball control valves

Valve size	Target control range										
	0%	15%	20%	30%	40%	50%	60%	70%	80%	90%	100%
1/2"	0	0.1	0.1	0.3	0.5	0.9	1.4	2	3.3	4.4	6
3/4"	0	0.1	0.2	0.7	1	1.7	2.8	4	6.5	9	12
1"	0	0.2	0.4	1.1	1.8	3.4	5.3	7.9	12.3	15.3	21
1 1/2"	0	0.4	0.8	2.5	4	8	13	19	27	40	52
2"	0	0.4	1.5	4.6	9	16.5	27	39	55	105	110
2 1/2"	0	0.4	1.5	5	10	21	34	53	75	103	150
3"	0	0.5	2.5	6	14	25	40	65	91	128	165
4"	0	0.7	3	11	25	40	59	90	141	212	356

**Quick delivery –
butt weld, NPT, and
socket weld ball valves**

Exploded view



**Quick delivery –
butt weld, NPT, and
socket weld ball valves**

Dimensions [mm]

Technical drawings of a ball valve showing front, side, and detail views with dimensions A-W and callouts 1-23. The drawings include:

- Front view with dimensions W, C, d2, d1, G, F, V, and callouts 1-19.
- Side view with dimension P and callouts 21, 22, 23.
- Detail view for sizes 2 1/2" to 4" with text: "From 2 1/2" with pipe handle, for long-term smooth usage."
- Socket weld and Butt weld detail views with dimensions S, Q, R, L1.
- Bottom view with dimensions A, B, D, E, L, and callouts 1-20.

Item	Part Name	Materials
1	End cap	CF8M
2	Body	CF8M
3	Ball	SS 316
4	Seat	PTFE
5	Gasket	PTFE
6	Bolts	SS 304
7	Thrust washer	RPTFE
8	O-ring	FKM
9	Stem packing	PTFE
10	Stem	SS 316
11	Gland	SS 304
12	Disk washer	SS 301
13	Stem nut	SS 304
14	Nut stop	SS 304
15	Space washer	SS 304
16	Handle nut	SS 304
17	Handle	SS 304
18	Handle cover	Plastic
19	Stop pin	SS 304
20	Nut	SS 304
21	Set bolt	SS 304
22	Lever head	CF8
23	Lever	Steel pipe

Size	A	B	C	D	d1	d2	E	F	G	H	L	S	T	P	Q	L1	V	W
1/2"	37	11	130	15	6.0	6.0	58	36	42	9	63.5	21.8	12.7	15.5	21.5	63.5	19	44
3/4"	40	11	130	20	6.0	6.0	64	36	45	9	75.5	27.1	14.3	20.6	27.5	75.5	19	44
1"	48	14	155	25	6.0	7.0	77	42	50	11	86	33.8	15.9	26.7	34.5	86	24	52
1 1/2"	63.5	18	205	38	7.0	9.0	92	50	70	14	111	48.7	19.1	40.5	49	117	28	53
2"	72	18	205	50	7.0	9.0	100	50	70	14	129	61.1	22.2	52.4	61	138	28	53
2 1/2"	92	22	290	65	9.0	11.3	140	70	102	17	152.5	73.9	22.2	65	77	170	-	-
3"	102	22	290	80	9.0	11.3	150	70	102	17	168.5	89.9	25.4	80	91	192	-	-
4"	132	26	335	100	11.3	13.5	195	102	125	22	212.5	115.2	32	100	115	226	-	-

**Quick delivery –
butt weld, NPT, and
socket weld ball valves**

Air to open spring to close air actuators, sized for 80 PSI supply

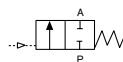


The 2051 pneumatic rotary drives are low maintenance single or double-acting pneumatic linear piston actuators where linear movement of the piston control system through a range of rugged feedback switches. The drives can also be used as modulating control actuators by the addition of Burkert's range of SideControl positioners.

Technical data	
Materials	
Actuator	aluminium alloy
Piston	aluminium
Seal	buna-N
Control medium	filtered compressed air with or without oil
Control pressure	43.5-116 PSI (3-8 bar) max allowable working pressure 145 PSI (10 bar) max operating pressure 116 PSI (8 bar)
T_{umg}	-40 °F up to 200 °F (-40 °C up to +93 °C)
Rotation	90°, adjustable ±5° of valve travel
Adjustable angle	every 20°
Interface	
Pilot air ports	NAMUR Flange interface VDE/VDI 3845 G 1/4"
Feedback signal	NAMUR VDE/VDI 3845
Fittings	ISO 5211

Control function A

Single-acting actuator return by spring, operating e.g. with pilot valve



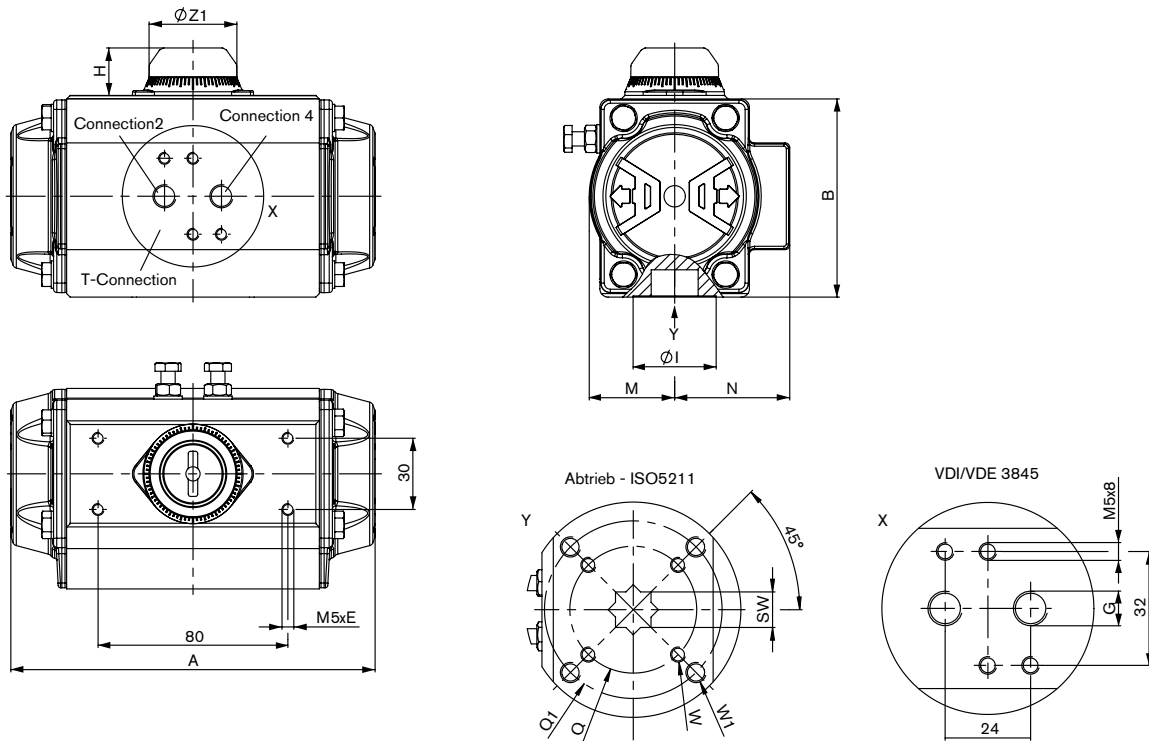
Single-acting actuator (Control function A, 6 spring packages per side)

Valve size	Actuator size	Torque (Nm) dependent on control pressure								Air volume(l)		Weight [kg]
		Control pressure (bar)								opening	closing	
		5.5		6		8		spring force				
0°	90°	0°	90°	0°	90°	90°	0°					
1/2"	15	10.2	6.6	11.9	8.2	18.5	14.9	11.7	8.1	0.09	0.15	1.1
1"	15	10.2	6.6	11.9	8.2	18.5	14.9	11.7	8.1	0.09	0.15	1.1
1 1/2"	60	37.5	22.4	43.3	28.3	66.5	51.5	41.5	26.5	0.31	0.49	3.1
2"	60	37.5	22.4	43.3	28.3	66.5	51.5	41.5	26.5	0.31	0.49	3.1
2 1/2"	100	56.7	31.4	65.8	40.5	102	77.1	69.3	44	0.51	0.78	4.3
3"	150	85.4	51.7	99	65	152	118	94.5	60.8	0.71	1.11	6.1
4"	220	138	79	159	101	245	187	157	98.4	1.19	1.8	9.3

Quick delivery –
butt weld, NPT, and
socket weld ball valves

bürkert

Dimensions – Type 2051 [mm]



Size	A	B	E	H	ØI	M	N	Q	Q1	W	W1	ØZ1	G	SW	ISO 5211
15	136	69	4	20	30	29	43	36	50	M5	M6	37	1/8"	11	F03 - 05
60	203.5	102	8	20	35	42.5	50.5	50	70	M6	M8	37	1/8"	14	F05 - 07
100	241	115	8	20	55	49.5	56.5	50	70	M6	M8	37	1/8"	17	F05 - 07
150	259	127	8	20	55	55.5	63	70	102	M8	M10	37	1/4"	17	F07 - 10
220	304	145	8	30	70	64	72	70	102	M8	M10	51	1/4"	22	F07 - 10

**Quick delivery –
butt weld, NPT, and
socket weld ball valves**

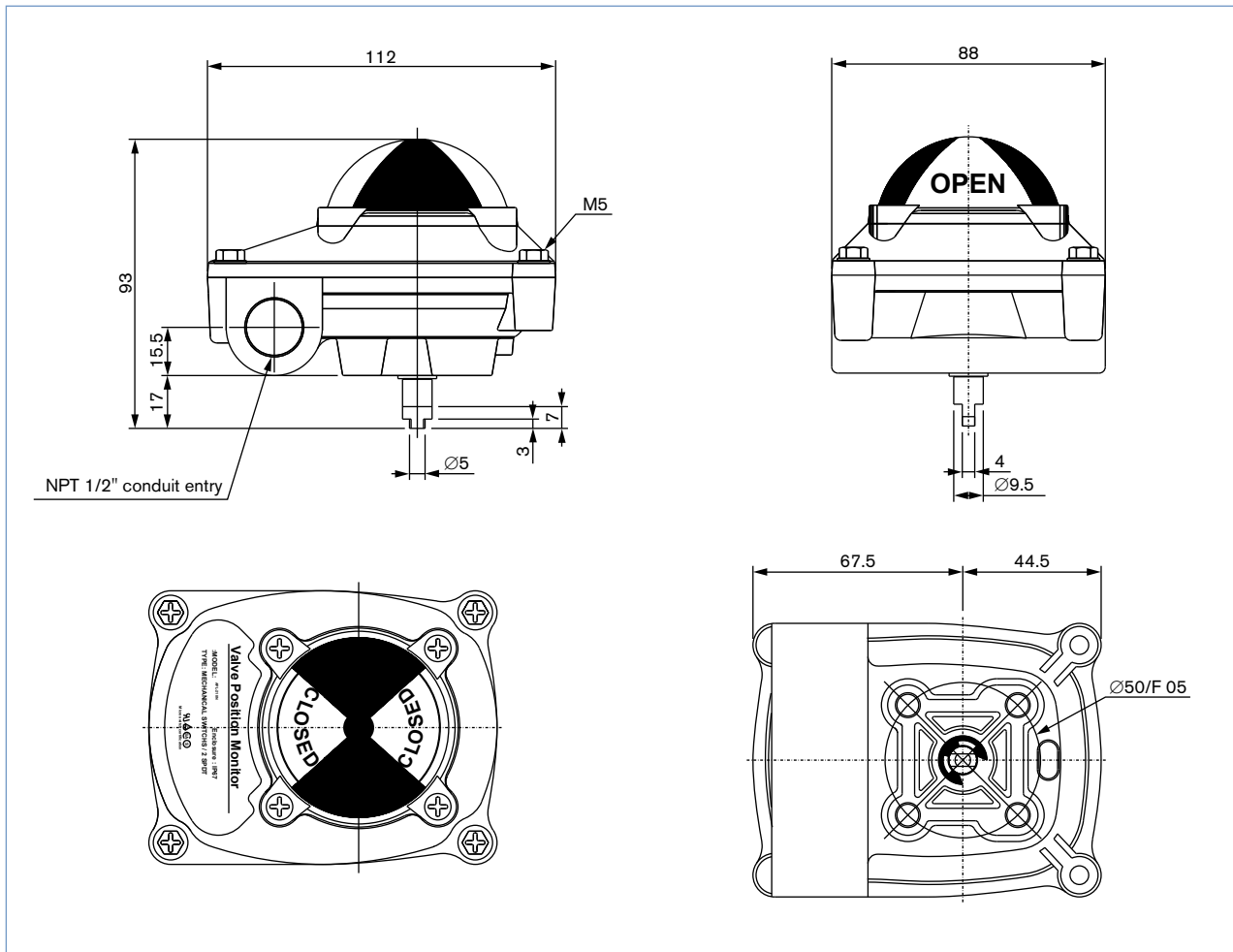
Mechanical limit switch with visual indication



Type APL-210N

Technical data	
Enclosure	Weatherproof IP67
Cable entries	Two NPT 1/2"
Ambient temperature	-4 °F to 1,472 °F (-20 °C - 800 °C)
Terminal strips	8 points (0.08-2.5mm ²)
Position indicator	0-90° (90° turn free join close: red & open: yellow)
Switches	Mechanical Switch x 2 Proximity Sensor x 2
Painting	Chromate Polyester Powder Coating
2SPDT switches	
Contact arrangement:	250V AC/16A 250V DC/0.3A 125V DC/0.6A 30V DC/10A

Dimensions – Type APL-210N [mm]



**Quick delivery –
butt weld, NPT, and
socket weld ball valves**

bürkert

Type 6519 3/2-way pilot valve

(with tag connector acc.to DIN EN 175301-803 Form A, without cable plug)



The Type 6519 is a servo-assisted 3/2 way. The Type 6519 works without a continuous air consumption and is used for the pneumatic control of double or single-acting actuators. It is possible to use these valves in the open air and under chemical atmospheres. The 24 VDC and 120 VAC versions are UL listed and have a NAMUR flange interface.

Technical data	
Orifice	DN8 and 9 mm
Body material Pilot valve Pneumatic block	Polyamide, reinforced Polyamide (5/2-way), aluminium (5/3-way)
Threaded socket material	Brass (stainless steel on request)
Seal material	NBR and PUR (5/2-way), NBR (5/3-way)
Medium	Neutral Medium, e.g. lubricated or non-lubricated compressed air
Compressed air quality	ISO 8573-1:2010, Class 7.4.4*
Medium temperature	14 °F to 122 °F (-10 °C to +50 °C)
Ambient temperature	-13 °F to 131 °F (-25 °C to +55 °C)
Pneumatic connection Supply port connection 1, 3, 5 Service port 2, 4	Thread G 1/4, multi-station manifold (on request NPT 1/4) Thread G 1/4 (on request NPT 1/4)
Operating voltages	24 V DC 24/ 110/ 230 V/ 50-60 Hz
Voltage tolerance	+10 %
Duty cycle	100% continuous operation
Electrical connection	Tag connector acc. to DIN EN 175301-803 (previously DIN 43650) Form A for cable plug Type 2508
Type of protection	IP65 with cable plug
Installation	As required, preferably with actuator upright

* To prevent freezing of the expanded compressed air, the pressure dew point must be at least 10 K lower than the temperature of the medium.

Quick delivery –
butt weld, NPT, and
socket weld ball valves

bürkert

Type 3003



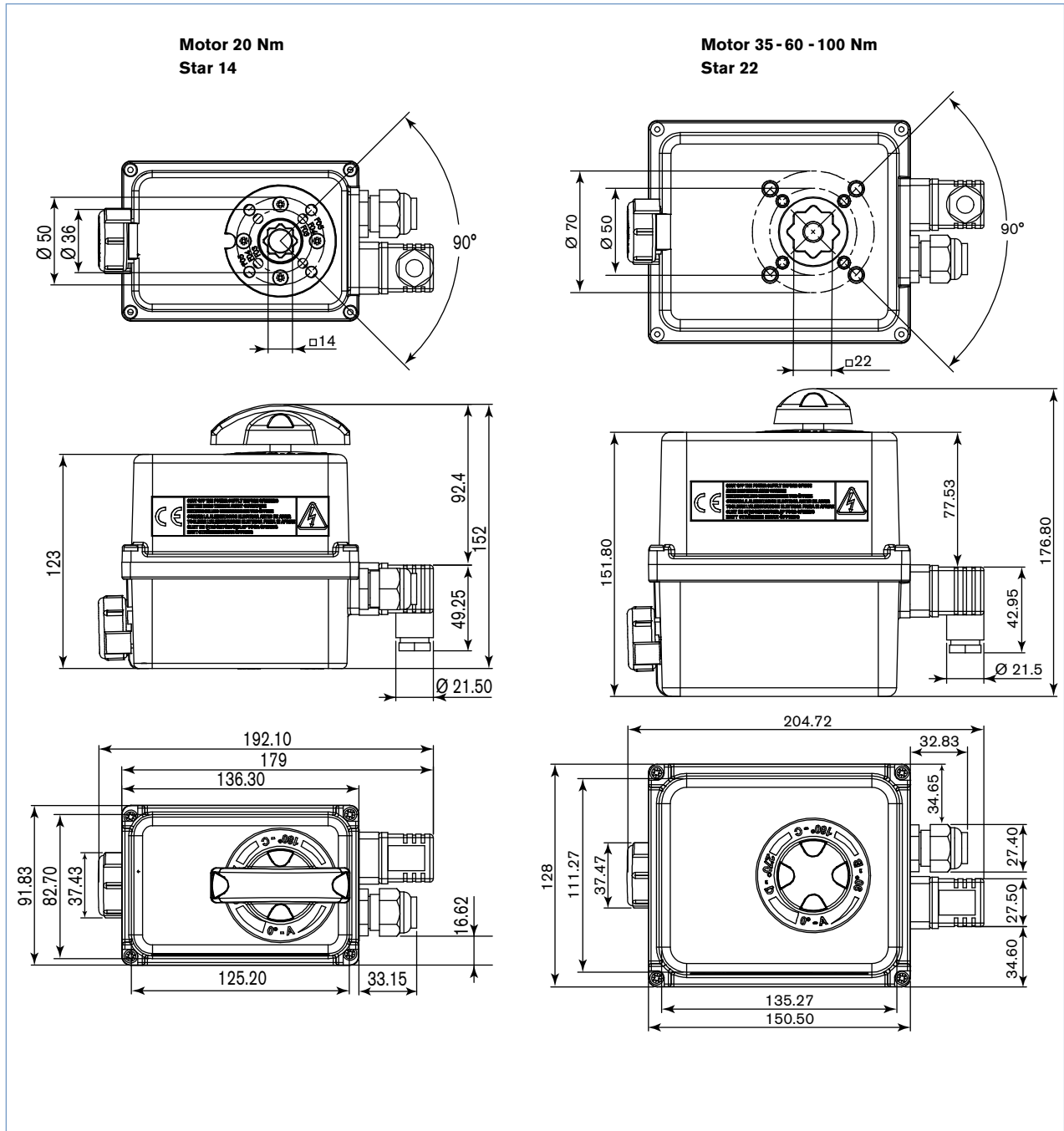
Type 3003

Technical data	
Torque	20, 35, 60 and 100 Nm (see ordering chart)
Angle of rotation	90° (± 5°) (extra angle on request)
90° rotation time	See ordering chart
Duty rating	According to IEC34 S4 = 50%
Power supply	15 - 30 V AC 50/60 Hz / 12 - 48 V DC 100 - 240 V AC 50/60 Hz / 100 - 350 V DC
Power consumption	15 W to 45 W (see ordering chart)
Motor protection	Torque limiter
Electrical connection	Cable plug acc. to EN175301-803 (supply voltage) Cable glands ISO M20
Mounting	acc. ISO 5211 F05 (removable fixation plate F03/F04/F05) F05/F07
Drive	
Motor 20 Nm	Female star 14 mm; conversion sleeve 14/11 mm and 14/9 mm enclosed
Motor 35, 60 Nm	Female star 22 mm; conversion sleeve star 22/14 mm enclosed
Motor 100 Nm	Female star 22 mm; conversion sleeve star 22/17 mm enclosed
Installation	Do not mount the actuator upside down!
Installation site	up to 2000 m high
Limit switches	4 adjustable (2 for motor and 2 additional for feedback) max. 250 V AC / 5 A
Standard signal (programmable)	
Input	- 0 - 10 V - 4 - 20 mA - 0 - 20 mA
Output	- 0 - 10 V - 4 - 20 mA - 0 - 20 mA
Manual override	Standard (at 20 Nm with the included hand lever)
Mechanical limit stops	Standard
Optical position indicator	Standard
Material	
Cover / Body	Nylon / PA 6.6
Axis, screw	Stainless steel
Gear unit	Stainless steel and PC
Type of protection	IP66 with cable plug installed
Ambient temperature range	14 °F to 131 °F (- 10 °C to + 55 °C) (emergency power version 14 °F up to 104 °F (- 10 up to 40 °C))
Weight	1 Kg (20Nm), 2.1 Kg (35-100 Nm)
Options	Varied rotation time Third position (for 180°) Feedback on/off actuators: - Potentiometer 1K, 5K or 10K - Analogue signal 4-20 mA Emergency power version
Heating resistor	Standard

Quick delivery -
butt weld, NPT, and
socket weld ball valves

bürkert

Dimensions - Type 3003 [mm]



Multi-voltage version without analogue signal input

Remark : For the actuator choice, we recommend a safety torque equal to 1.5 times of the valve maximal torque (standard).

Valve size [inches]	Connection flange	Torque	90° rotation time* ± 1 sec. (Information on load)	Power consumption	Voltage / frequency
1/2"	F05 (F03-F04)	20 Nm	12 sec.	15 W	15-30 V AC, 50/60 Hz / 12-48 V DC** 100-240 V AC, / 50/60 Hz / 100-350 V DC
1"	F05 (F03-F04)	20 Nm	12 sec.	15 W	15-30 V AC, 50/60 Hz / 12-48 V DC** 100-240 V AC, / 50/60 Hz / 100-350 V DC
1 1/2"	F05-F07	35 Nm	7 sec.	45 W	15-30 V AC, 50/60 Hz / 12-48 V DC** 100-240 V AC, / 50/60 Hz / 100-350 V DC
2"	F05-F07	35 Nm	7 sec.	45 W	15-30 V AC, 50/60 Hz / 12-48 V DC** 100-240 V AC, / 50/60 Hz / 100-350 V DC
2 1/2"	F05-F07	60 Nm	12 sec.	45 W	15-30 V AC, 50/60 Hz / 12-48 V DC** 100-240 V AC, / 50/60 Hz / 100-350 V DC
3"	F05-F07	100 Nm	23 sec.	45 W	15-30 V AC, 50/60 Hz / 12-48 V DC** 100-240 V AC, / 50/60 Hz / 100-350 V DC

* other rotation time and rotation angle on request
** The operating voltage must not fall below 11.5 V

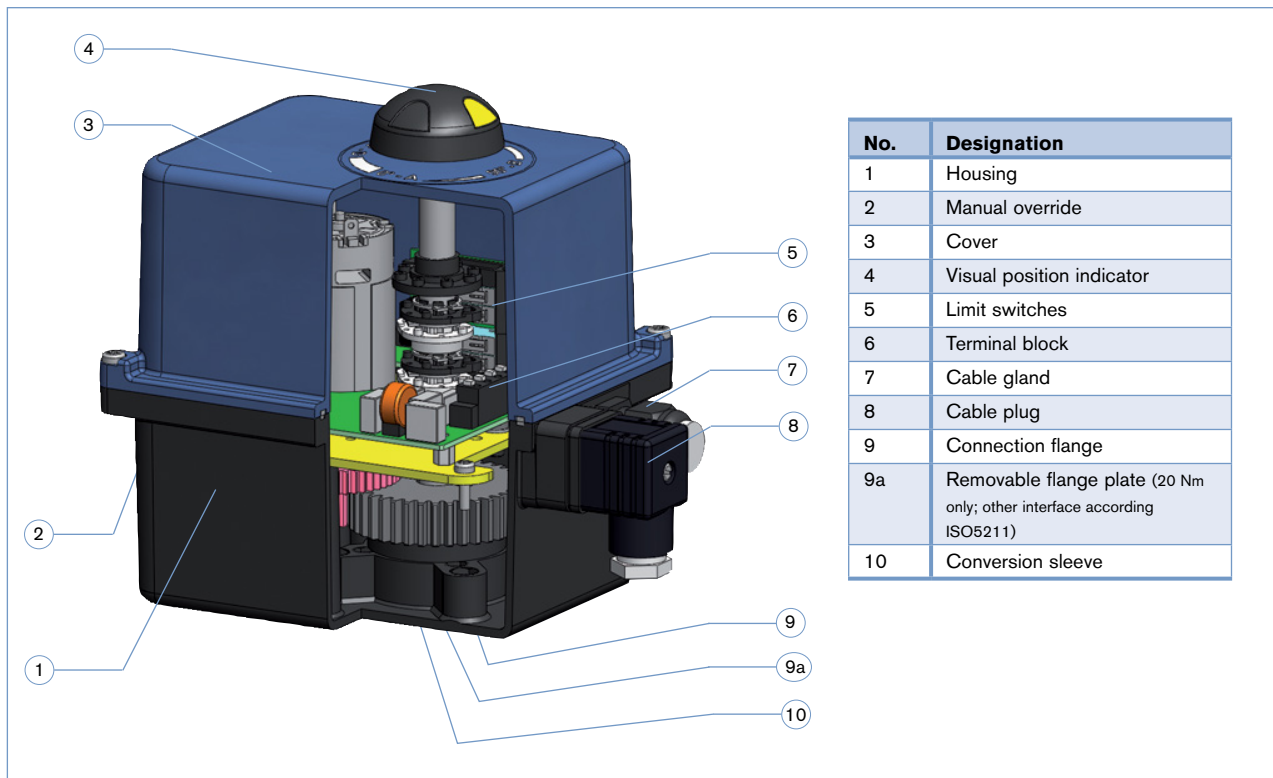
Multi-voltage version with analogue signal input

Remark : For the actuator choice, we recommend a safety torque equal to 2 times of the valve maximal torque.

Valve size [inches]	Drive stars [mm]	Conversion sleeve stars [mm]	Connection flange	Torque	90° rotation time* ± 1 sec. (Information on load)	Power consumption	Voltage / frequency
1/2"	14	14/11 and 14/9	F05 (F03-F04)	20 Nm	25 sec.	15 W	15-30 V AC, 50/60 Hz / 12-48 V DC** 100-240 V AC, / 50/60 Hz / 100-350 V DC
1"	14	14/11 and 14/9	F05 (F03-F04)	20 Nm	25 sec.	15 W	15-30 V AC, 50/60 Hz / 12-48 V DC** 100-240 V AC, / 50/60 Hz / 100-350 V DC
1 1/2"	22	22/14	F05-F07	35 Nm	40 sec.	45 W	15-30 V AC, 50/60 Hz / 12-48 V DC** 100-240 V AC, / 50/60 Hz / 100-350 V DC
2"	22	22/14	F05-F07	60 Nm	79 sec.	45 W	15-30 V AC, 50/60 Hz / 12-48 V DC** 100-240 V AC, / 50/60 Hz / 100-350 V DC
2 1/2"	22	22/17	F05-F07	100 Nm	119 sec.	45 W	15-30 V AC, 50/60 Hz / 12-48 V DC** 100-240 V AC, / 50/60 Hz / 100-350 V DC
3"	22	22/17	F05-F07	100 Nm	119 sec.	45 W	15-30 V AC, 50/60 Hz / 12-48 V DC** 100-240 V AC, / 50/60 Hz / 100-350 V DC

* other rotation time and rotation angle on request
** The operating voltage must not fall below 11.5 V

**Quick delivery –
butt weld, NPT, and
socket weld ball valves**
Sectional view –Type 3003



Quick delivery –
butt weld, NPT, and
socket weld ball valves

bürkert

Type 3005

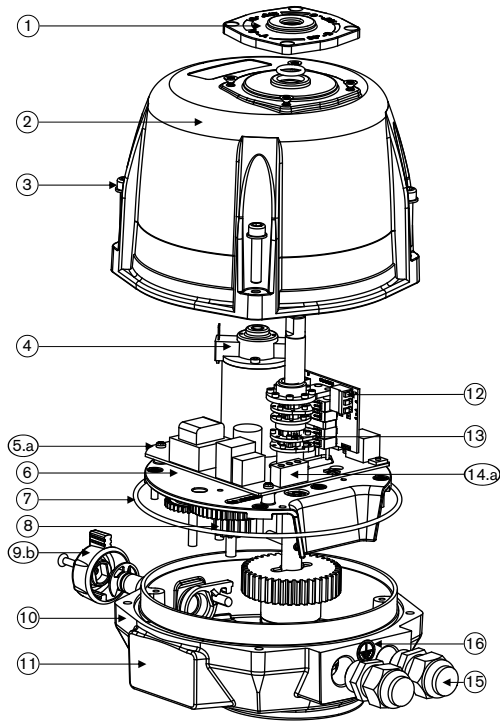


Technical data	
Torque	25 and 300 Nm (see ordering chart) (600 and 1000 Nm on request)
Angle of rotation	90° (± 5°)
90° rotation time	7 up to 60 sec.(see ordering chart)
Duty rating	At max. torque: 50% of the time Control actuator: 50% of max. torque
Power supply	15 - 30 V AC 50/60 Hz / 12 - 48 V DC 100 - 240 V AC 50/60 Hz / 100 - 350 V DC ± 10 %
Tolerance	
Power consumption	45 W
Motor protection	Electronic torque limitation
Electrical connection	2 cable glands ISO 20 (Cable plug acc. EN 175301 - 803 on request)
Mounting	acc. ISO 5211 F05/F07 F07/F10v
Drive	Motor 25 Nm Female star 17 mm; conversion sleeve star 17/11 mm enclosed Motor 45, 75 Nm Female star 17 mm; conversion sleeve star 17/14 mm enclosed Motor 100, 150, 300 Nm Female star 22 mm; conversion sleeve star 22/17 mm enclosed
Installation	Do not mount the actuator upside down!
Limit switches	4 adjustable (2 for motor and 2 additional for feedback) max. 250 V AC/5 A
Analogue signals control version (programmable)	
Input	- 0 - 10 V - 4 - 20 mA - 0 - 20 mA
Output	- 0 - 10 V - 4 - 20 mA - 0 - 20 mA
Manual override	By hand wheel (from 100 Nm)
Mechanical limit stops	Standard
Optical position indicator	Standard
Material	
Cover, Housing	Nylon / Epoxy coated aluminium
Axis, screw	Stainless steel
Gear	Zinc-plated Steel
Type of class	IP68
Ambient temperature	-4 °F up to 158 °F (-20 °C up to +70 °C) -4 °F up to 104 °F (-20 °C up to +40 °C) (emergency reset)
Weight	5.6 kg
Heating resistor	10 W
Options	Three position actuator (180°) Rotation 180° or 270° Feedback On/Off actuators: - Potentiometer 0.1K, 1K, 5K or 10K - Analogue signal 4 - 20 mA Fail safe option 2 extra limit switches

Quick delivery –
butt weld, NPT, and
socket weld ball valves

Exploded view – Type 3005

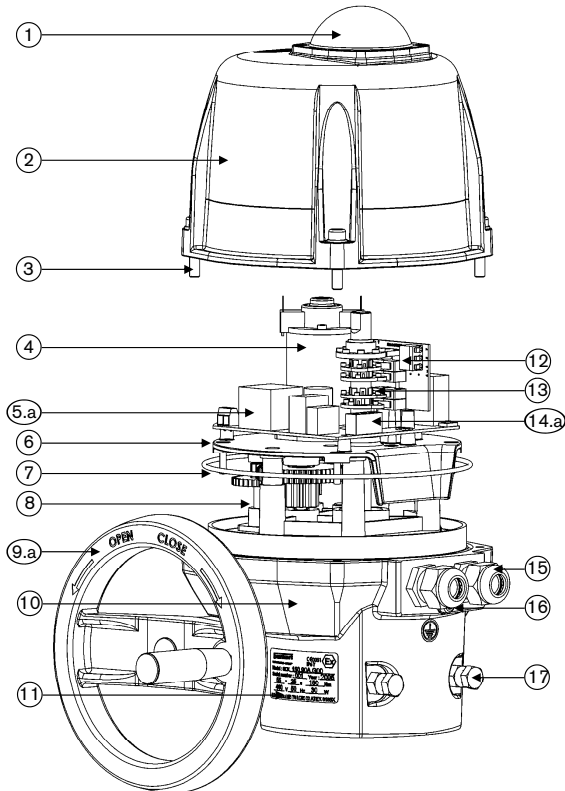
Motor 25 - 45 - 75 Nm



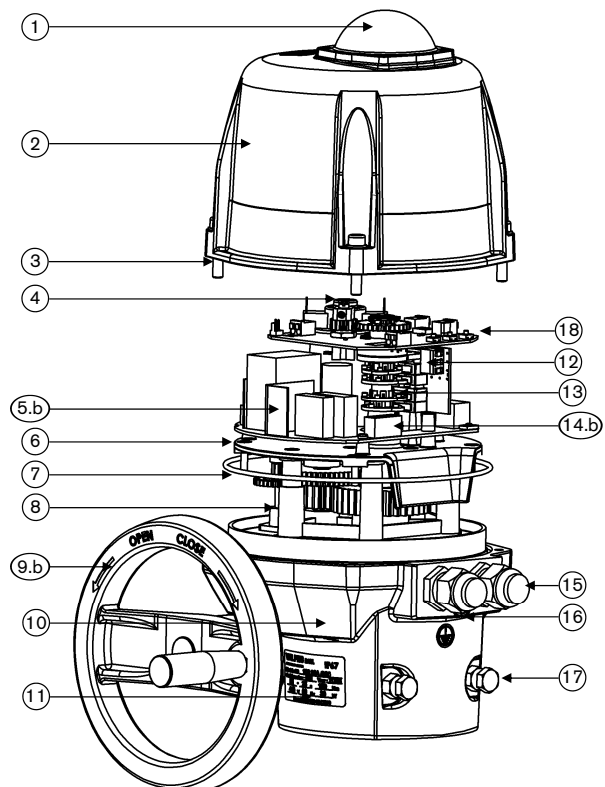
No.	Designation
1	Optical position indicator
2	Cover
3	Stainless steel screws
4	Motor
5.a*	Pilot and power supply card
5.b*	power supply card
6	Gear box
7	O-ring
8	Gear
9.a	Hand wheel
9.b	Clutch knob
10	Housing
11	Identification label
12	Auxiliary limit switch terminal
13	Cams
14.a*	Pilot and power supply card
14.b*	Power supply terminal
15	Cable gland ISO M20
16	Earth screw
17	Mechanical limit stops
18	Positioning card (only for actuator with position control)

* Only for multi-voltage version

Motor 100 - 150 - 300 Nm



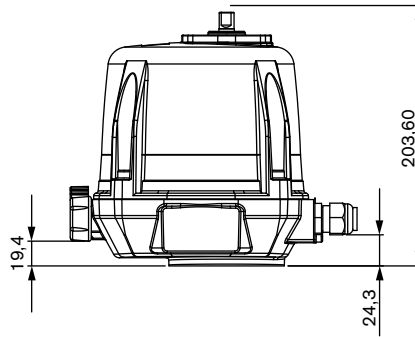
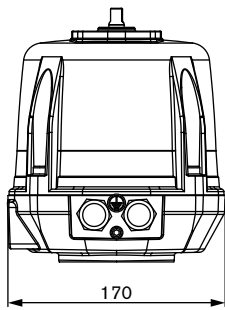
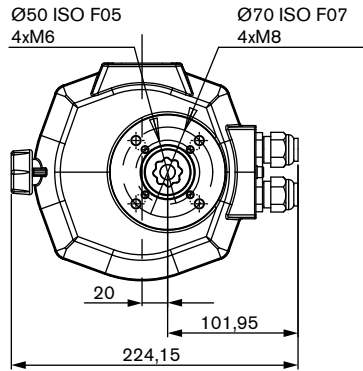
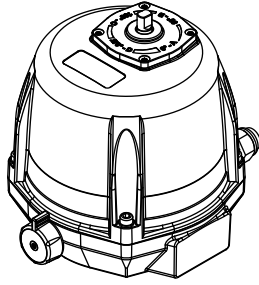
Motor 100 - 150 - 300 Nm with positioning card



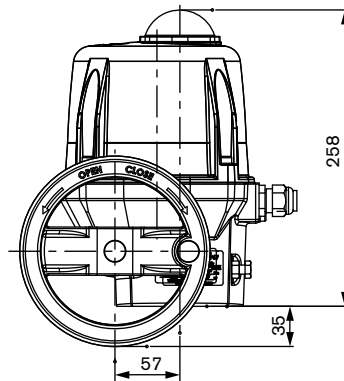
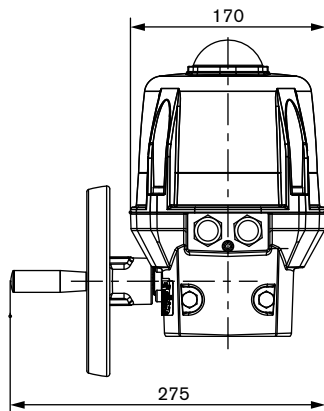
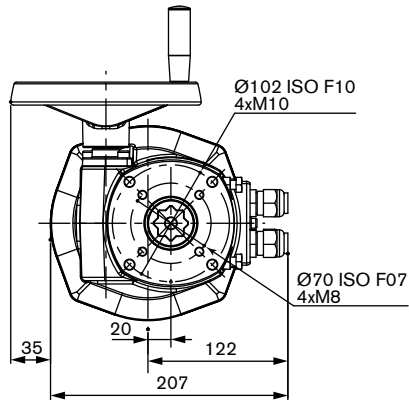
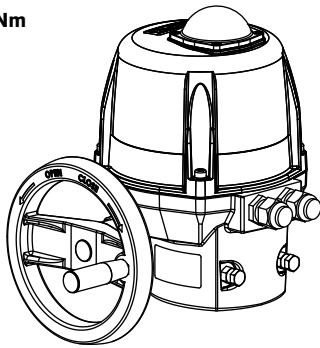
Quick delivery -
butt weld, NPT, and
socket weld ball valves

Dimensions - Type 3005 [mm]

Motor 25-45 - 75 Nm



Motor 100 - 150 - 300 Nm



**Quick delivery –
butt weld, NPT, and
socket weld ball valves**



Standard version without analogue signal input

Remark : For the actuator choice, we recommend a safety torque equal to 1.5 times of the valve maximal torque (2 times for the control version).

Valve size [inches]	Drive stars [mm]	Conversion sleeve star [mm]	Connection flange	Torque [Nm]	90° travel [s]	Power consumption [W]	Voltage / Frequency [V / Hz]
4"	22	22/17	F07/F10	150	30	45	100-240 V AC, / 50/60 Hz / 100-350 V DC 15-30 V AC, 50/60 Hz / 12-48 V DC**

*Other regulating times and delay angles on request

**The operating voltage must not fall below 11.5 V

Control version with 4-20 mA, 0-20 mA or 0-10 V, analogue signal input or output

Remark : For the actuator choice, we recommend a safety torque equal to 1.5 times of the valve maximal torque (2 times for the control version).

Valve size [inches]	Drive stars [mm]	Conversion sleeve star [mm]	Connection flange	Torque [Nm]	90° travel [s]	Power consumption [W]	Voltage / Frequency [V / Hz]
4"	22	22/17	F07/F10	150	30	45	100-240 V AC, / 50/60 Hz / 100-350 V DC 15-30 V AC, 50/60 Hz / 12-48 V DC**

*Other regulating times and delay angles on request

**The operating voltage must not fall below 11.5 V

**Quick delivery –
butt weld, NPT, and
socket weld ball valves**

ASi actuation and feedback for pneumatic actuation

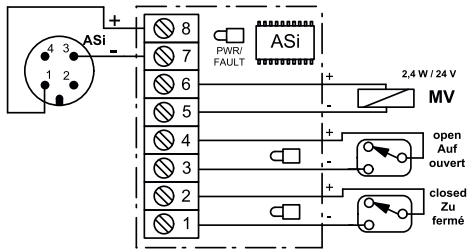
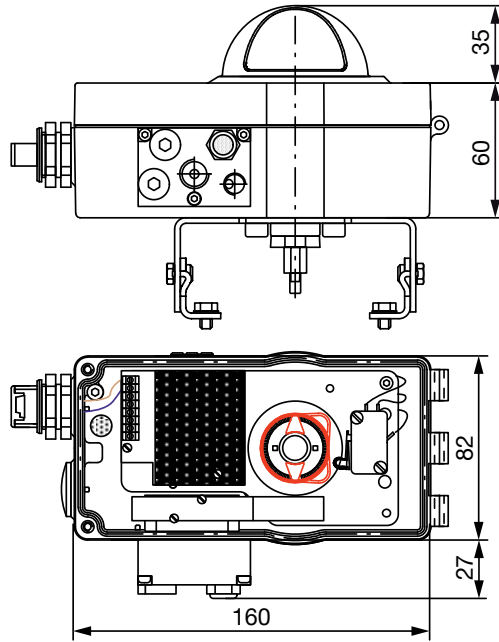


Technical data	
Materials	
Housing	Aluminium
Base (powder-coated)	RAL9005
Cover (powder-coated)	RAL7016
Seal	PUR
Dome	Polycarbonate
Switching precision	< 1.5°
Bracket	
	Adjustable
	Hole gauge: 80/130 mm x 30 mm
	Height: 20/30 mm
Ambient temperature	
	-13 °F...14 °F up to 131 °F...185 °F (-25 °C...-10 °C up to 55 °C...85 °C)
Electrical data	
Limit Switches	
Micro Switches	Crouzet 83.161.301 Crouzet 83.161.8
Inductive Sensors	Pepperl+Fuchs NBB2-V3-E2 Pepperl+Fuchs NJ2-V3-N
Switching capacity	4 A, 230 V AC
Protection class	IP65

Quick delivery –
butt weld, NPT, and
socket weld ball valves

Dimensions – Type 1061 [mm]

+3/2-way solenoid valve



Programming informations

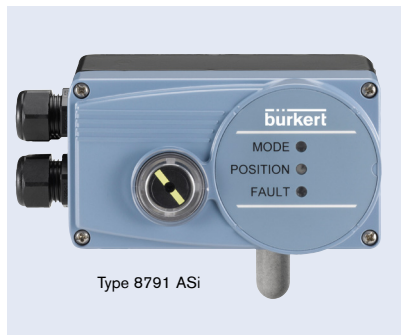
Profile: S-D.A.E
IO-Code: D
ID-Code: A
ID1-Code: 7
ID2-Code: E

62 slaves

Quick delivery –
butt weld, NPT, and
socket weld ball valves

bürkert

**Burkert positioners & PID controllers for pneumatic actuation
4-20mA, ASi, Ethernet, Burkert CAN Open, DeviceNet**



Technical data	
Material	
Body	Aluminium plastic-coated
Seal	EPDM, NBR, FKM
Operating voltages	24 V DC +/- 10%
Residual ripple	max. 10%
Setpoint setting	4-20 mA (0-20 mA adjustable using configurations software)
Input resistance	0/4 to 20 mA: 180 Ω
Analogue feedback	(0-20 mA adjustable using configurations software) (max. Burden 560 Ω)
Binary input	0-5 V = log "0", 10-30 V = log "1"
Control medium	neutral gases, air, quality classes acc. to ISO 8573-1
Dust concentration	Class 7 (<40 µm particle size)
Particle density	Class 5 (<10 mg/m ³)
Pressure condensation point	Class 3 (<-4 °F (-20 °C))
Oil concentration	Class X (<25 mg/m ³)
Ambient temperature	14 °F to 140 °F (-10 to +60 °C) (without Ex-Approval) 32 °F to 140 °F (0 °C to +60 °C) (with ATEX / IECEx-Approval)
Pilot air ports	Threaded ports G 1/4
Supply pressure	1.4 to 7 bar ^{1) 2)}
Air supply filter	Exchangeable (mesh aperture~0.1 mm)
Actuator system	Single and double-acting up to 150 l _N /min.
Air capacity	50 l _N /min (with 1.4 bar ²⁾) for aeration and ventilation 150 l _N /min (with 6 bar ²⁾) for aeration and ventilation (Q _{Nn} = 100 l _N /min (acc. to the definition with decrease in pressure from 7 to bar absolute)
Integrated transducer (NAMUR)	Conductive plastic rotary potentiometer
Measuring range	Angle of rotation 30° to 150°
Stroke range for attachment to linear actuators	3 to 130mm, depending on the lever of the mounting kit
Installation	As required, LEDs above or sideways
Type of protection	IP65/IP67 acc. to EN 60529, Type 4X acc. to NEMA 250 standard
Power consumption	< 3.5 W

¹⁾ The supply pressure has to be 0.5-1 bar above the minimum required pilot pressure for the valve actuator

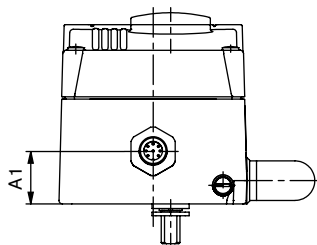
²⁾ Pressure values [bar]: Overpressure with respect to atmospheric pressure

Technical data - AS-interface (Option)	
Profile	S-7.3.4 Output: 16 Bit Set point/Certificate No. 87301 acc. to Version 3.0 S-7.A.5 Output: 16 Bit set point; Input: 16 Bit feedback/certificate No. 95401 acc. to Version 3.0
Programmed data	see instruction manual
Operating voltage over Bus connection	29.5 to 31.6 V DC acc. to AS-Interface specification
Max. current consumption	150 mA
Electrical connection	M12x1, 4-pin stainless steel connection assembled with 80 cm cable and flat cable clamp

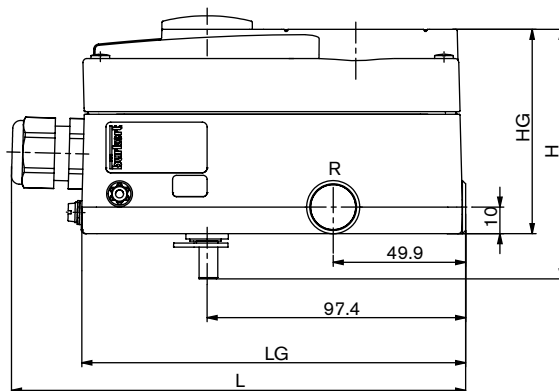
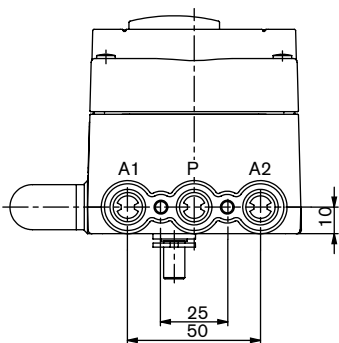
Technical data - Linear Remote Position Sensor (ELEMENT)	
Electrical connection	
Cable gland	1x M16x1.5 (cable Ø 5-10 mm) on terminal screws (0.14-1.5 mm ²)
Connection cable length	10 m
Operating voltage	24 V DC ± 10 %, UL: NEC Class 2
Power consumption	< 0.3 W
Sensor measurement range	3 to 45 mm (Stroke range valve spindle)
Actual position signal	digital (RS485)
Ambient temperature	-13 °F to 176 °F (-25 °C to +80 °C)
Protection class	III acc. to DIN EN 61140
Type of protection	IP65 and IP67 acc. to EN 60529, Type 4X acc. to NEMA 250 standard
Type of Ignition protection	II 3D Ex tc IIIC T135 °C Dc II 3G Ex nA IIC T4 Gc
Conformity	EMC directive 2014/30/EU
Approvals	cULus Certificate no. 238179

Dimensions – Type 8791 [mm]

**NAMUR version
with Multipole**

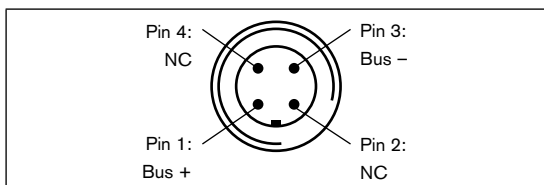


Description	LG	L	BG	B	HG	H	A	A1	A1
Multipole	144.6	171.1	81.8	109.8	77	94.1	-	22.5	-

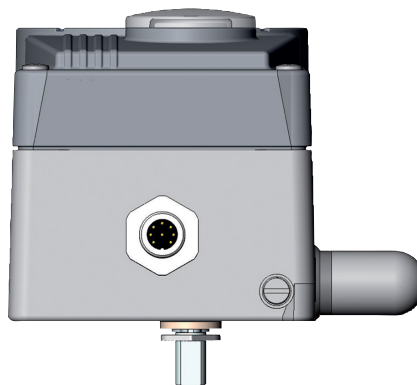


Connection options

Electrical connection ASI M12 4-pin



Bus connection without external supply voltage



Bus connection without external / with external supply voltage

Pin	Designation	Configuration
1	Bus +	AS Interface bus line +

**Quick delivery –
butt weld, NPT, and
socket weld ball valves**

bürkert

8792 position 4-20mA, Ethernet, Burkert CAN Open, DeviceNet

8793 PID 4-20mA, Ethernet, Burkert CAN Open, DeviceNet



Technical data	
Material	
Body	Aluminium plastic-coated
Seal	EPDM, NBR, FKM
Operating voltages	24 V DC \pm 10 %
Residual ripple	Max. 10 %
Setpoint setting	0/4-20 mA and 0-5/10 V
Input resistance	0/4-20 mA: 180 Ω 0-5/10 V: 19 k Ω
Analogue feedback	4-20 mA, 0-20 mA 0-10 V, 0-5 V
Binary input	Galvanically isolated, 0-5 V = log "0", 10-30 V = log "1"
Binary output	2 Outputs (optional), galvanically separated
Current limit	100 mA, Output will be synchronised when overloaded
Control medium	neutral gases, air, quality classes acc. to ISO 8573-1
Dust concentration	Class 7 (<40 μ m particle size)
Particle density	Class 5 (<10 mg/m ³)
Pressure condensation point	Class 3 (<-4 °F (-20 °C))
Oil concentration	Class X (<25 mg/m ³)
Ambient temperature	14 °F to 140 °F (-10 to +60 °C) (without Ex-Approval) 32 °F to 140 °F (0 to +60 °C) (with ATEX / IECEx-Approval)
Pilot air ports	Threaded ports G 1/4
Supply pressure	1.4 to 7 bar ^{1) 2)}
Air supply filter	Exchangeable (aperture size -0.1 mm)
Actuator system	Single and double-acting to 150 l _N /min.
Air capacity	50 l _N /min (with 1.4 bar ²⁾) for aeration and ventilation 150 l _N /min (with 6 bar ²⁾) for aeration and ventilation (Q _{Nn} = 100 l _N /min (acc. to the definition with decrease in pressure from 7 to 6 bar absolute)
Integrated transducer (NAMUR)	Conductive plastic rotary potentiometer
Measuring range	
EtherNet/IP, PROFINET, Modbus TCP and b \ddot{u} S other versions	Angle of rotation 30° to 180° Angle of rotation 30° to 150°
Stroke range for attachment to linear actuators	3 to 130mm, depending on the lever of the mounting kit
Installation	As required, display above or sideways
Type of protection	IP65/IP67 acc. to EN 60529, Type 4X acc. to NEMA 250 standard
Power consumption	<5 W
Electrical connection	
Multipole connection	M12, 8 pin/4 pin; M8, 4 pin
Cable gland	2x M20 x 1.5 (cable \varnothing 6 to 12 mm) on screw terminals (0.14 to 1.5 mm ²)
Remote version	1x M12 x 1.5 (cable \varnothing 3 to 6.5 mm)
Bus communication	PROFIBUS DP-V1, DeviceNet, EtherNet/IP, PROFINET, Modbus TCP or b \ddot{u} S (based on CANopen)
Protection class	III acc. to DIN EN 61140
Conformity	EMC directive 2014/30/EU
CSA approval information	
Product category code	Class 3221 82-VALVES - Actuators - Certified to US standards Class 3221 02-VALVES - Actuators
Considered standards	CAN/CSA-C22 2 No. 139 UL 429

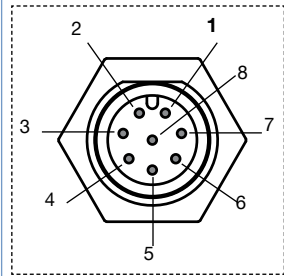
¹⁾ The supply pressure has to be 0.5 to 1 bar above the minimum required pilot pressure for the valve actuator

²⁾ Pressure specifications: Overpressure with respect to atmospheric pressure

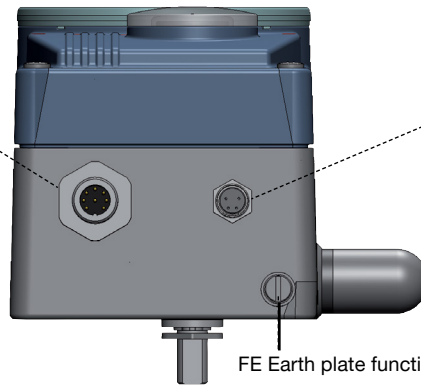
Connection options

Multi-pin connection

Operating voltages and diverse signals

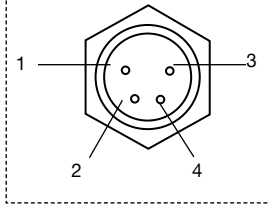


Circular connector M12, 8 pin



FE Earth plate functions

Binary output
optional



Socket M8, 4 pin

Circular connector M12, 8 pin (Setpoint)

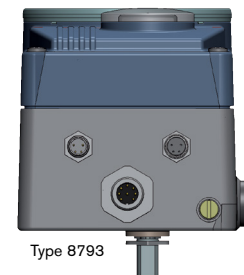
Pin	Configuration	External Circuitry / signal level
1	Setpoint + (0/4-20 mA or 0-5/10 V)	1 + (4-20 mA or 0-10 V) Complete galvanically separated
2	Setpoint GND	2 GND
3	GND	3 24 V DC ± 10 % Max. Residual ripple 10 %
4	+24 V	4 +24 V
5	Binary input +	5 + 0-5 V (log. 0) 10-30 V (log. 1)
6	Binary input GND	6 GND

Optional analogue feedback

8	Analogue feedback +	8 + (0/4-20 mA or 0-5/10 V,) Complete galvanically separated
7	Analogue feedback GND	7 GND

Socket M8, 4 pin (only with Binary Output Option)

Pin	Configuration	External Circuitry / signal level
1	Binary Output 1	1 24 V / 0 V, NC / NO relative to operating voltage GND (terminal GND)
2	Binary Output 2	2 24 V / 0 V, NC / NO relative to operating voltage GND (terminal GND)
3	Binary Output GND	3 GND



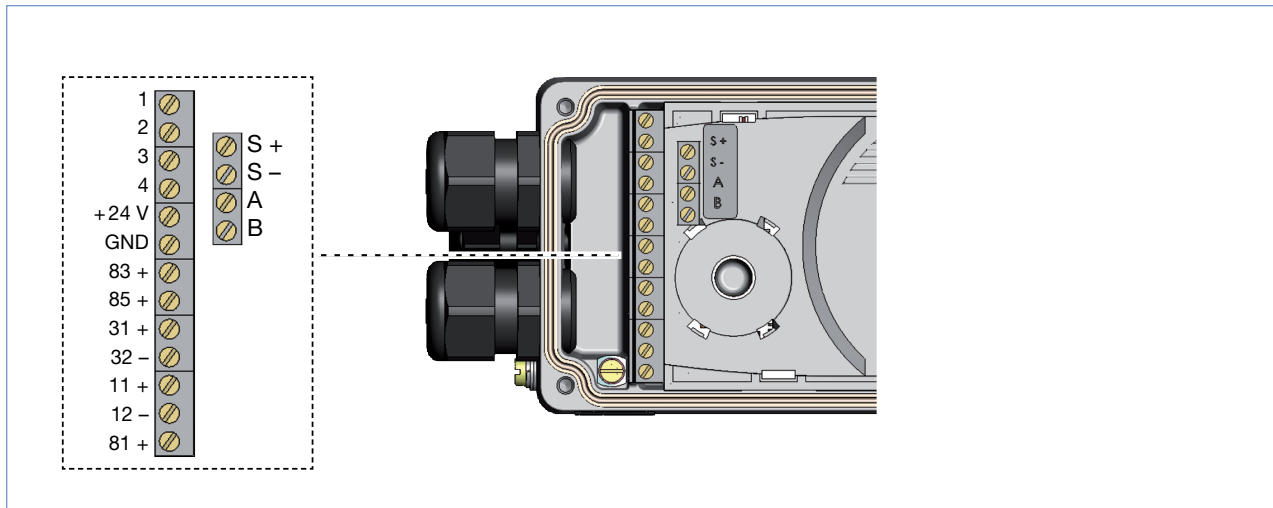
Type 8793

Circular plug M8, 4 pin - process actual value (for Type 8793)

Input type	Pin	Wire color	Configuration	DIP-Switch	Device side	External Circuitry
4-20 mA - internal supply	1	brown	+24 V supply transmitter		switch left	
	2	white	output form transmitter			
	3	blue	GND (identical with GND operating voltage)			
	4	black	bridge acc. to GND (Pin 3)			
4-20 mA - external supply	1	brown	not allocated		switch right	
	2	white	process value +			
	3	blue	not allocated			
	4	black	process value -			
Frequency - internal supply	1	brown	+24 V supply to sensor		switch left	
	2	white	measured input +			
	3	blue	measured input - (GND)			
	4	black	not allocated			

Connection options, continued

Cable gland connection



Terminal	Configuration	External Circuitry / signal level
11 +	Setpoint +	11 + + (4-20 mA or 0-10 V) Complete galvanically separated
12 -	Setpoint GND	12 - GND
81 +	Binary input +	81 + + Obtained at GND operating voltages (GND clamps)
+24 V	Operating voltages +	+24 V 24 V DC ± 10 % max. Residual ripple 10 %
GND	Operating voltages GND	GND GND

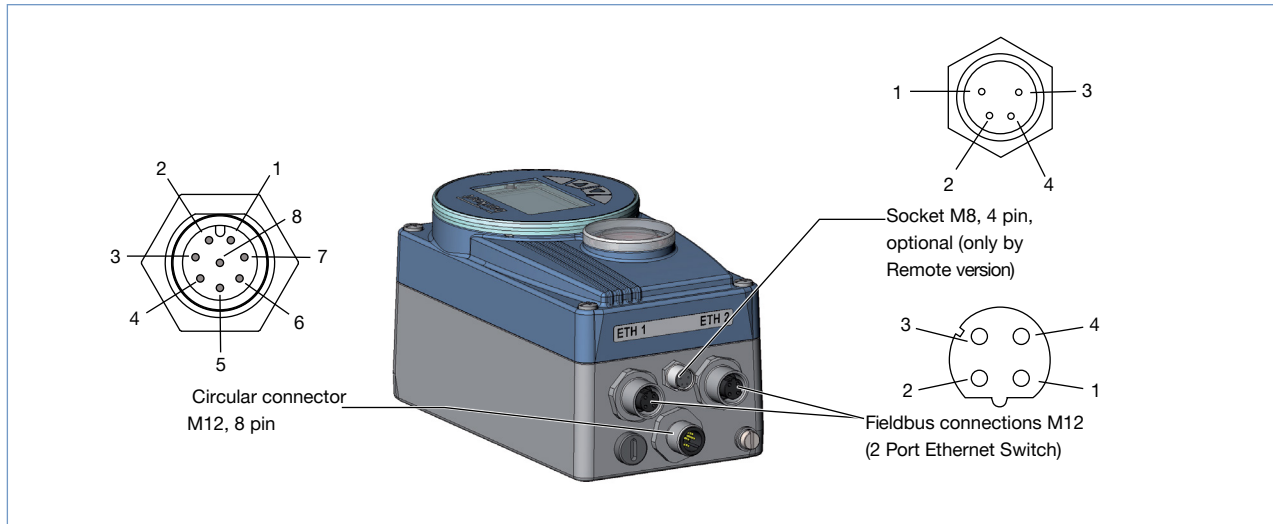
Terminals 1, 2, 3, 4: not connected

Optional Analogue feedback / Binary Output

Terminal	Configuration	External Circuitry / signal level
83 +	Binary Output 1	83 + 24 V / 0 V, NC / NO Obtained at GND operating voltages (GND clamps)
85 +	Binary Output 2	85 + 24 V / 0 V, NC / NO Obtained at GND operating voltages (GND clamps)
31 +	Analogue feedback +	31 + + (0/4-20 mA or 0-5/10 V) Complete galvanically separated
32 -	Analogue feedback GND	32 - GND

Terminal 1, 2, 3, 4 : NC

EtherNet/IP, PROFINET, Modbus TCP connection



Fieldbus connections M12 D-coded

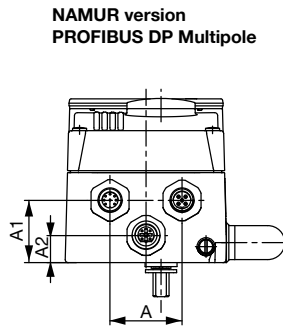
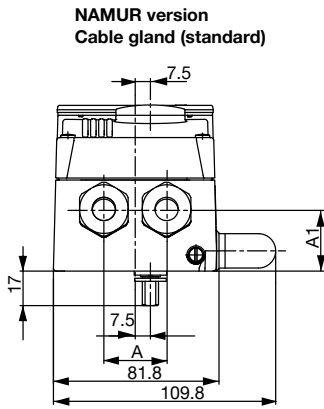
Connections for EtherNet/IP takes place over circular connector M12, 4 pin D-coded

	Pin 1	Transmit +
	Pin 2	Receive +
	Pin 3	Transmit -
	Pin 4	Receive -

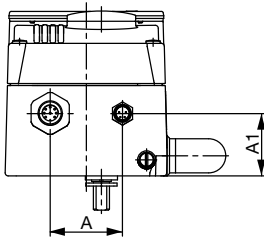
Operating system - circular connector M12, 8 pin

Pin	Configuration	Device side	External circuitry / signal level
1	not allocated		
2	not allocated		
Operating voltage			
3	GND		24 V DC ± 10 % max. residual ripple 10%
4	+ 24 V		
Input signals (e.g. SPS)			
5	Binary input +		0-5 V (log.0) 10-30 V (log.1)
6	Binary input -		
Output signal (e.g. SPS) - (Only used for binary output option)			
7	Binary output 1 (correlated to pin 3)		0-24 V
8	Binary output 2 (correlated to pin 3)		0-24 V

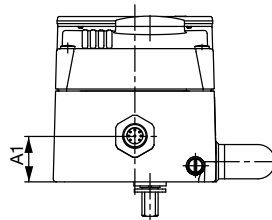
Dimensions – Type 8792 [mm]



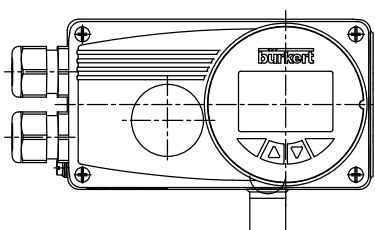
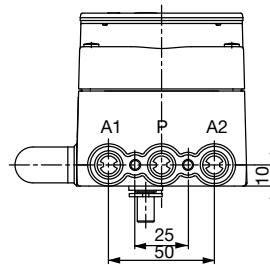
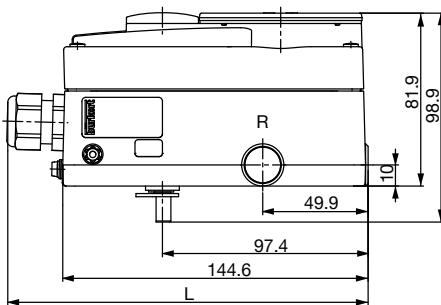
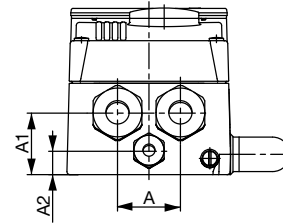
**NAMUR version
Multipole with Binary outputs**



**NAMUR version
Multipole**

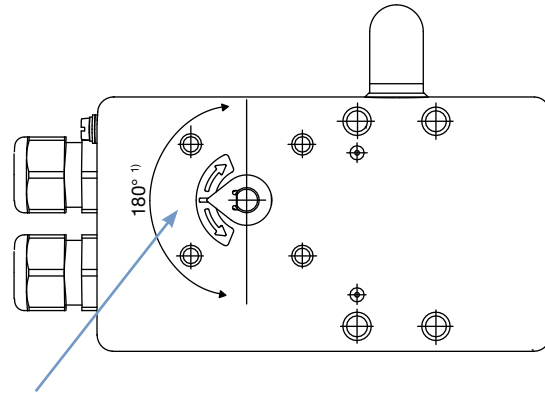


**Remote version
cable gland**



Description	L	A	A1	A2
Standard	171.1	31	30	–
PROFIBUS DP	157.8	36	31	13.5
Multipole Bin. OUT	157.6	36	31	–
Multipole	157.4	–	22.5	–
Remote	171.1	31	30	11.5

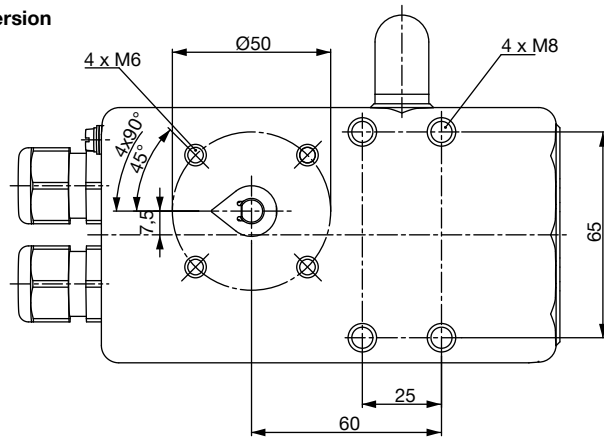
Dimensions – Type 8792 [mm], continued



The rotation angle of the sensor
must be within a range of 180° ¹⁾

With the valve open approx.
50 %, the sensor indicator
should be in this position.

Standard Version



¹⁾ For the EtherNet/IP, PROFINET, Modbus TCP and bÜS versions a max. of 180° is possible, for the other versions max. 150°.

**Quick delivery –
butt weld, NPT, and
socket weld ball valves**



Ordering chart – butt weld ball valves, 375 °F max

Size	With handle	With pneumatic actuator	With pneumatic actuator and limit switch & feedback	With electric actuator 3003 or 3005 24 AC/DC	With electric actuator 3003 or 3005 120 AC/DC	With positioning electric actuator 3003/3005 60° V 24 AC/DC
1/2"	98135736	98135752	98135768	98135784	98135800	98135816
3/4"	98135737	98135753	98135769	98135785	98135801	98135817
1"	98135738	98135754	98135770	98135786	98135802	98135818
1 1/2"	98135739	98135755	98135771	98135787	98135803	98135819
2"	98135740	98135756	98135772	98135788	98135804	98135820
2 1/2"	98135741	98135757	98135773	98135789	98135805	98135821
3"	98135742	98135758	98135774	98135790	98135806	98135822
4"	98135743	98135759	98135775	98135791	98135807	98135823

Size	With positioning electric actuator 3003/3005 60° V 120 AC/DC	With pneumatic actuator and 6519 pilot valve 24VDC	With pneumatic actuator and 6519 pilot valve 120 VAC	With pneumatic actuator limit switch and 6519 pilot valve 24VDC	With pneumatic actuator limit switch and 6519 pilot valve 120 VAC	With pneumatic actuator & 1061 ASI pilot and feedback
1/2"	98135832	98135848	98135864	98135880	98135896	98135912
3/4"	98135833	98135849	98135865	98135881	98135897	98135913
1"	98135834	98135850	98135866	98135882	98135898	98135914
1 1/2"	98135835	98135851	98135867	98135883	98135899	98135915
2"	98135836	98135852	98135868	98135884	98135900	98135916
2 1/2"	98135837	98135853	98135869	98135885	98135901	98135917
3"	98135838	98135854	98135870	98135886	98135902	98135918
4"	98135839	98135855	98135871	98135887	98135903	98135919

Size	With pneumatic actuator position control 60° V-ball ASI	With pneumatic actuator position control 60° V-ball 4-20mA	With pneumatic actuator position control 60° V-ball Burkert CAN OPEN	With pneumatic actuator position control 60° V-ball Ethernet	With pneumatic actuator position control 60° V-ball DeviceNet	With pneumatic actuator PID control 60° V-ball 4-20mA
1/2"	98135928	98135944	98135960	98135976	98135992	98136008
3/4"	98135929	98135945	98135961	98135977	98135993	98136009
1"	98135930	98135946	98135962	98135978	98135994	98136010
1 1/2"	98135931	98135947	98135963	98135979	98135995	98136011
2"	98135932	98135948	98135964	98135980	98135996	98136012
2 1/2"	98135933	98135949	98135965	98135981	98135997	98136013
3"	98135934	98135950	98135966	98135982	98135998	98136014
4"	98135935	98135951	98135967	98135983	98135999	98136015

Size	With pneumatic actuator PID control 60° V-ball Burkert CAN OPEN
1/2"	98136024
3/4"	98136025
1"	98136026
1 1/2"	98136027
2"	98136028
2 1/2"	98136029
3"	98136030
4"	98136031

**Quick delivery –
butt weld, NPT, and
socket weld ball valves**



Ordering chart – butt weld ball valves, 450 °F max

Size	With handle	With pneumatic actuator	With pneumatic actuator and limit switch & feedback	With electric actuator 3003 or 3005 24 AC/DC	With electric actuator 3003 or 3005 120 AC/DC	With positioning electric actuator 3003/3005 60° V 24 AC/DC
1/2"	98135744	98135760	98135776	98135792	98135808	98135824
3/4"	98135745	98135761	98135777	98135793	98135809	98135825
1"	98135746	98135762	98135778	98135794	98135810	98135826
1 1/2"	98135747	98135763	98135779	98135795	98135811	98135827
2"	98135748	98135764	98135780	98135796	98135812	98135828
2 1/2"	98135749	98135765	98135781	98135797	98135813	98135829
3"	98135750	98135766	98135782	98135798	98135814	98135830
4"	98135751	98135767	98135783	98135799	98135815	98135831

Size	With positioning electric actuator 3003/3005 60° V 120 AC/DC	With pneumatic actuator and 6519 pilot valve 24VDC	With pneumatic actuator and 6519 pilot valve 120 VAC	With pneumatic actuator limit switch and 6519 pilot valve 24VDC	With pneumatic actuator limit switch and 6519 pilot valve 120 VAC	With pneumatic actuator & 1061 ASI pilot and feedback
1/2"	98135840	98135856	98135872	98135888	98135904	98135920
3/4"	98135841	98135857	98135873	98135889	98135905	98135921
1"	98135842	98135858	98135874	98135890	98135906	98135922
1 1/2"	98135843	98135859	98135875	98135891	98135907	98135923
2"	98135844	98135860	98135876	98135892	98135908	98135924
2 1/2"	98135845	98135861	98135877	98135893	98135909	98135925
3"	98135846	98135862	98135878	98135894	98135910	98135926
4"	98135847	98135863	98135879	98135895	98135911	98135927

Size	With pneumatic actuator position control 60° V-ball ASI	With pneumatic actuator position control 60° V-ball 4-20mA	With pneumatic actuator position control 60° V-ball Burkert CAN OPEN	With pneumatic actuator position control 60° V-ball Ethernet	With pneumatic actuator position control 60° V-ball DeviceNet	With pneumatic actuator PID control 60° V-ball 4-20mA
1/2"	98135936	98135952	98135968	98135984	98136000	98136016
3/4"	98135937	98135953	98135969	98135985	98136001	98136017
1"	98135938	98135954	98135970	98135986	98136002	98136018
1 1/2"	98135939	98135955	98135971	98135987	98136003	98136019
2"	98135940	98135956	98135972	98135988	98136004	98136020
2 1/2"	98135941	98135957	98135973	98135989	98136005	98136021
3"	98135942	98135958	98135974	98135990	98136006	98136022
4"	98135943	98135959	98135975	98135991	98136007	98136023

Size	With pneumatic actuator PID control 60° V-ball Burkert CAN OPEN
1/2"	98136032
3/4"	98136033
1"	98136034
1 1/2"	98136035
2"	98136036
2 1/2"	98136037
3"	98136038
4"	98136039

**Quick delivery –
butt weld, NPT, and
socket weld ball valves**



Ordering chart – NPT ball valves, 375 °F max

Size	With Handle	With pneumatic actuator	With pneumatic actuator and limit switch & feedback	With electric actuator 3003 or 3005 24 AC/DC	With electric actuator 3003 or 3005 120 AC/DC	With positioning electric actuator 3003/3005 60° V 24 AC/DC
1/2"	98135432	98135448	98135464	98135480	98135496	98135512
3/4"	98135433	98135449	98135465	98135481	98135497	98135513
1"	98135434	98135450	98135466	98135482	98135498	98135514
1 1/2"	98135435	98135451	98135467	98135483	98135499	98135515
2"	98135436	98135452	98135468	98135484	98135500	98135516
2 1/2"	98135437	98135453	98135469	98135485	98135501	98135517
3"	98135438	98135454	98135470	98135486	98135502	98135518
4"	98135439	98135455	98135471	98135487	98135503	98135519

Size	With positioning electric actuator 3003/3005 60° V 120 AC/DC	With pneumatic actuator and 6519 pilot valve 24VDC	With pneumatic actuator and 6519 pilot valve 120 VAC	With pneumatic actuator limit switch and 6519 pilot valve 24VDC	With pneumatic actuator limit switch and 6519 pilot valve 120 VAC	With pneumatic actuator & 1061 ASI pilot and feedback
1/2"	98135528	98135544	98135560	98135576	98135592	98135608
3/4"	98135529	98135545	98135561	98135577	98135593	98135609
1"	98135530	98135546	98135562	98135578	98135594	98135610
1 1/2"	98135531	98135547	98135563	98135579	98135595	98135611
2"	98135532	98135548	98135564	98135580	98135596	98135612
2 1/2"	98135533	98135549	98135565	98135581	98135597	98135613
3"	98135534	98135550	98135566	98135582	98135598	98135614
4"	98135535	98135551	98135567	98135583	98135599	98135615

Size	With pneumatic actuator position control 60° V-ball ASI	With pneumatic actuator position control 60° V-ball 4-20mA	With pneumatic actuator position control 60° V-ball Burkert CAN OPEN	With pneumatic actuator position control 60° V-ball Ethernet	With pneumatic actuator position control 60° V-ball DeviceNet	With pneumatic actuator PID control 60° V-ball 4-20mA
1/2"	98135624	98135640	98135656	98135672	98135688	98135704
3/4"	98135625	98135641	98135657	98135673	98135689	98135705
1"	98135626	98135642	98135658	98135674	98135690	98135706
1 1/2"	98135627	98135643	98135659	98135675	98135691	98135707
2"	98135628	98135644	98135660	98135676	98135692	98135708
2 1/2"	98135629	98135645	98135661	98135677	98135693	98135709
3"	98135630	98135646	98135662	98135678	98135694	98135710
4"	98135631	98135647	98135663	98135679	98135695	98135711

Size	With pneumatic actuator PID control 60° V-ball Burkert CAN OPEN
1/2"	98135720
3/4"	98135721
1"	98135722
1 1/2"	98135723
2"	98135724
2 1/2"	98135725
3"	98135726
4"	98135727

**Quick delivery –
butt weld, NPT, and
socket weld ball valves**



Ordering chart – NPT ball valves, 450 °F max

Size	With handle	With pneumatic actuator	With pneumatic actuator and limit switch & feedback	With electric actuator 3003 or 3005 24 AC/DC	With electric actuator 3003 or 3005 120 AC/DC	With positioning electric actuator 3003/3005 60° V 24 AC/DC
1/2"	98135440	98135456	98135472	98135488	98135504	98135520
3/4"	98135441	98135457	98135473	98135489	98135505	98135521
1"	98135442	98135458	98135474	98135490	98135506	98135522
1 1/2"	98135443	98135459	98135475	98135491	98135507	98135523
2"	98135444	98135460	98135476	98135492	98135508	98135524
2 1/2"	98135445	98135461	98135477	98135493	98135509	98135525
3"	98135446	98135462	98135478	98135494	98135510	98135526
4"	98135447	98135463	98135479	98135495	98135511	98135527

Size	With positioning electric actuator 3003/3005 60° V 120 AC/DC	With pneumatic actuator and 6519 pilot valve 24VDC	With pneumatic actuator and 6519 pilot valve 120 VAC	With pneumatic actuator limit switch and 6519 pilot valve 24VDC	With pneumatic actuator limit switch and 6519 pilot valve 120 VAC	With pneumatic actuator & 1061 ASI pilot and feedback
1/2"	98135536	98135552	98135568	98135584	98135600	98135616
3/4"	98135537	98135553	98135569	98135585	98135601	98135617
1"	98135538	98135554	98135570	98135586	98135602	98135618
1 1/2"	98135539	98135555	98135571	98135587	98135603	98135619
2"	98135540	98135556	98135572	98135588	98135604	98135620
2 1/2"	98135541	98135557	98135573	98135589	98135605	98135621
3"	98135542	98135558	98135574	98135590	98135606	98135622
4"	98135543	98135559	98135575	98135591	98135607	98135623

Size	With pneumatic actuator position control 60° V-ball ASI	With pneumatic actuator position control 60° V-ball 4-20mA	With pneumatic actuator position control 60° V-ball Burkert CAN OPEN	With pneumatic actuator position control 60° V-ball Ethernet	With pneumatic actuator position control 60° V-ball DeviceNet	With pneumatic actuator PID control 60° V-ball 4-20mA
1/2"	98135632	98135648	98135664	98135680	98135696	98135712
3/4"	98135633	98135649	98135665	98135681	98135697	98135713
1"	98135634	98135650	98135666	98135682	98135698	98135714
1 1/2"	98135635	98135651	98135667	98135683	98135699	98135715
2"	98135636	98135652	98135668	98135684	98135700	98135716
2 1/2"	98135637	98135653	98135669	98135685	98135701	98135717
3"	98135638	98135654	98135670	98135686	98135702	98135718
4"	98135639	98135655	98135671	98135687	98135703	98135719

Size	With pneumatic actuator PID control 60° V-ball Burkert CAN OPEN
1/2"	98135728
3/4"	98135729
1"	98135730
1 1/2"	98135731
2"	98135732
2 1/2"	98135733
3"	98135734
4"	98135735

**Quick delivery –
butt weld, NPT, and
socket weld ball valves**



Ordering chart – socket weld ball valves, 375 °F max

Size	With handle	With pneumatic actuator	With pneumatic actuator and limit switch & feedback	With electric actuator 3003 or 3005 24 AC/DC	With electric actuator 3003 or 3005 120 AC/DC	With positioning electric actuator 3003/3005 60° V 24 AC/DC
1/2"	98136040	98136056	98136072	98136088	98136104	98136120
3/4"	98136041	98136057	98136073	98136089	98136105	98136121
1"	98136042	98136058	98136074	98136090	98136106	98136122
1 1/2"	98136043	98136059	98136075	98136091	98136107	98136123
2"	98136044	98136060	98136076	98136092	98136108	98136124
2 1/2"	98136045	98136061	98136077	98136093	98136109	98136125
3"	98136046	98136062	98136078	98136094	98136110	98136126
4"	98136047	98136063	98136079	98136095	98136111	98136127

Size	With positioning electric actuator 3003/3005 60° V 120 AC/DC	With pneumatic actuator and 6519 pilot valve 24VDC	With pneumatic actuator and 6519 pilot valve 120 VAC	With pneumatic actuator limit switch and 6519 pilot valve 24VDC	With pneumatic actuator limit switch and 6519 pilot valve 120 VAC	With pneumatic actuator & 1061 ASI pilot and feedback
1/2"	98136136	98136152	98136168	98136184	98136200	98136216
3/4"	98136137	98136153	98136169	98136185	98136201	98136217
1"	98136138	98136154	98136170	98136186	98136202	98136218
1 1/2"	98136139	98136155	98136171	98136187	98136203	98136219
2"	98136140	98136156	98136172	98136188	98136204	98136220
2 1/2"	98136141	98136157	98136173	98136189	98136205	98136221
3"	98136142	98136158	98136174	98136190	98136206	98136222
4"	98136143	98136159	98136175	98136191	98136207	98136223

Size	With pneumatic actuator position control 60° V-ball ASI	With pneumatic actuator position control 60° V-ball 4-20mA	With pneumatic actuator position control 60° V-ball Burkert CAN OPEN	With pneumatic actuator position control 60° V-ball Ethernet	With pneumatic actuator position control 60° V-ball DeviceNet	With pneumatic actuator PID control 60° V-ball 4-20mA
1/2"	98136232	98136248	98136264	98136280	98136296	98136312
3/4"	98136233	98136249	98136265	98136281	98136297	98136313
1"	98136234	98136250	98136266	98136282	98136298	98136314
1 1/2"	98136235	98136251	98136267	98136283	98136299	98136315
2"	98136236	98136252	98136268	98136284	98136300	98136316
2 1/2"	98136237	98136253	98136269	98136285	98136301	98136317
3"	98136238	98136254	98136270	98136286	98136302	98136318
4"	98136239	98136255	98136271	98136287	98136303	98136319

Size	With pneumatic actuator PID control 60° V-ball Burkert CAN OPEN
1/2"	98136328
3/4"	98136329
1"	98136330
1 1/2"	98136331
2"	98136332
2 1/2"	98136333
3"	98136334
4"	98136335

**Quick delivery –
butt weld, NPT, and
socket weld ball valves**



Ordering chart – socket weld ball valves, 450 °F max

Size	With Handle	With pneumatic actuator	With pneumatic actuator and limit switch & feedback	With electric actuator 3003 or 3005 24 AC/DC	With electric actuator 3003 or 3005 120 AC/DC	With positioning electric actuator 3003/3005 60° V 24 AC/DC
1/2"	98136048	98136064	98136080	98136096	98136112	98136128
3/4"	98136049	98136065	98136081	98136097	98136113	98136129
1"	98136050	98136066	98136082	98136098	98136114	98136130
1 1/2"	98136051	98136067	98136083	98136099	98136115	98136131
2"	98136052	98136068	98136084	98136100	98136116	98136132
2 1/2"	98136053	98136069	98136085	98136101	98136117	98136133
3"	98136054	98136070	98136086	98136102	98136118	98136134
4"	98136055	98136071	98136087	98136103	98136119	98136135

Size	With positioning electric actuator 3003/3005 60° V 120 AC/DC	With pneumatic actuator and 6519 pilot valve 24VDC	With pneumatic actuator and 6519 pilot valve 120 VAC	With pneumatic actuator limit switch and 6519 pilot valve 24VDC	With pneumatic actuator limit switch and 6519 pilot valve 120 VAC	With pneumatic actuator & 1061 ASI pilot and feedback
1/2"	98136144	98136160	98136176	98136192	98136208	98136224
3/4"	98136145	98136161	98136177	98136193	98136209	98136225
1"	98136146	98136162	98136178	98136194	98136210	98136226
1 1/2"	98136147	98136163	98136179	98136195	98136211	98136227
2"	98136148	98136164	98136180	98136196	98136212	98136228
2 1/2"	98136149	98136165	98136181	98136197	98136213	98136229
3"	98136150	98136166	98136182	98136198	98136214	98136230
4"	98136151	98136167	98136183	98136199	98136215	98136231

Size	With pneumatic actuator position control 60° V-ball ASI	With pneumatic actuator position control 60° V-ball 4-20mA	With pneumatic actuator position control 60° V-ball Burkert CAN OPEN	With pneumatic actuator position control 60° V-ball Ethernet	With pneumatic actuator position control 60° V-ball DeviceNet	With pneumatic actuator PID control 60° V-ball 4-20mA
1/2"	98136240	98136256	98136272	98136288	98136304	98136320
3/4"	98136241	98136257	98136273	98136289	98136305	98136321
1"	98136242	98136258	98136274	98136290	98136306	98136322
1 1/2"	98136243	98136259	98136275	98136291	98136307	98136323
2"	98136244	98136260	98136276	98136292	98136308	98136324
2 1/2"	98136245	98136261	98136277	98136293	98136309	98136325
3"	98136246	98136262	98136278	98136294	98136310	98136326
4"	98136247	98136263	98136279	98136295	98136311	98136327

Size	With pneumatic actuator PID control 60° V-ball Burkert CAN OPEN
1/2"	98136336
3/4"	98136337
1"	98136338
1 1/2"	98136339
2"	98136340
2 1/2"	98136341
3"	98136342
4"	98136343

To find your nearest Burkert facility, click on the orange box →

www.burkert-usa.com

In case of special application conditions, please consult for advice.

We reserve the right to make technical changes without notice.
© Christian Bürkert GmbH & Co. KG

1912/-_US-en_