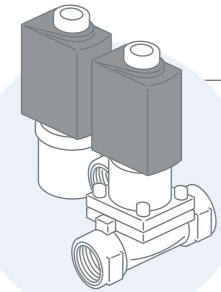


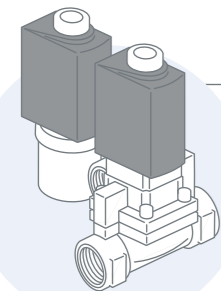
Shut-off valve

Shut-off valves with DIN CERTCO approval are used for hydraulic controlled oil burners, oil hydraulic activated air flaps and as shut-off valves for the oil line.



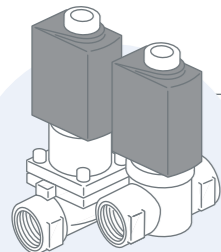
Feed line valves

Single and multi stage burners must be equipped with safety shut-off valves in the fuel supply system. The number of valves needed is based on the maximum oil flow rate of the burner and the nozzle design.



Return line valves

Burners with a return nozzle must be equipped with a safety shut-off valve in the return flow. Depending on the maximum oil flow rate of the burner and the nozzle design, one or two valves are needed in the return flow.



Circulation valves

Circulation valves are used if the liquid fuel has to be pre-heated to achieve the required atomization viscosity.



Our solenoid valves are certified in accordance with EN ISO 23553-1.



bürkert
FLUID CONTROL SYSTEMS



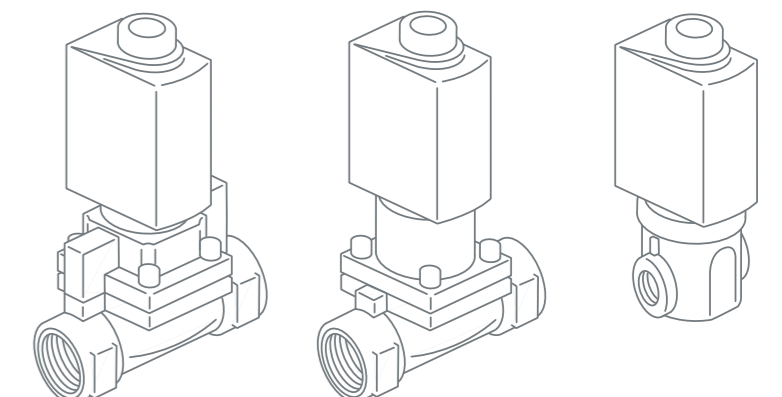
bürkert
FLUID CONTROL SYSTEMS

Safety shut-off valves for oil burners

in accordance with DIN EN ISO 23553-1

894325 Version 05/2013 Print 05/2013 www.wolf-corporate.de

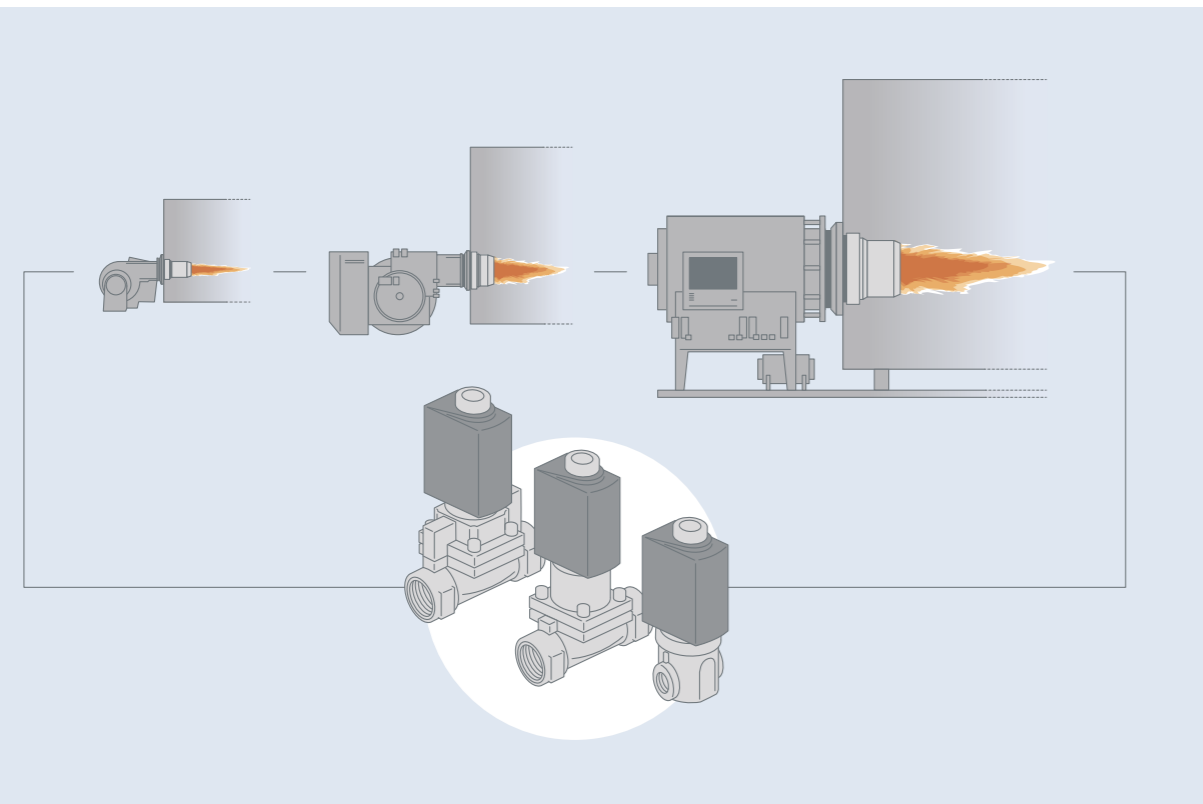
Bürkert Fluid Control Systems
Christian-Bürkert-Straße 13-17
74653 Ingelfingen
Deutschland
Tel: +49 (0) 7940/10-0
Fax: +49 (0) 7940/10-91 204
info@buerkert.de
www.buerkert.de



Solenoid valves for the safe operation of oil burners

Overview of solenoid valves for oil burners

Solenoid valves perform important functions both in the controlled operation of oil burners as well as avoiding dangerous operating states (fault/safety shut-down) of these systems. The valves therefore have to be designed to ensure not only trouble-free continuous operation of the oil burner, but also proper functionality (safety shut-off) of the solenoid valves in case of a fault. This places stringent requirements on the quality and service life of the valves, which Bürkert can offer you based on many years of experience as a manufacturer of solenoid valves. Conformity of our valves to EN ISO 23553-1 has been certified by DIN CERTCO.



Oil burners are available in many different sizes and versions. Bürkert offers the right valve or a suitable combination for every application and requirement.

The overview below shows the technical data of the solenoid valves for oil burners. For more details, please refer to the data sheets for the respective types: 6027 Safety Shut-Off Valve/Oil, 5406 Safety Shut-Off Valve/Oil and 5407 Safety Shut-Off Valve/Oil (www.burkert.com).

Type	Application	Operating principle	Orifice diameter (mm)	Line connectors	Oil temperature (C°)	Pressure range (bar)
6027	Flow line	NC [A]	2,2	G 1/8" / G 1/4"	0 - 70	0 - 18
6027	Flow line	NC [A]	2,2	G 1/8" / G 1/4"	0 - 100	0 - 20
6027	Flow line	NC [A]	2,2	G 1/8" / G 1/4"	0 - 100	0 - 20
6027	Shut-off valve, Flow line, Return line	NC [A]	3	G 1/8"	0 - 160	0 - 30
6027	Flow line, Return line	NC [A]	3,5	G 1/8"	0 - 160	0 - 30
6027	Return line	NC [A]	10	G 3/8" / G 1/2"	0 - 160	30 *
5406	Flow line	NC [A]	13	G 3/8" / G 1/2"	0 - 160	1 - 30
5406	Flow line	NC [A]	20	G 3/4"	0 - 160	1 - 30
5407	Return line	NC [A]	20	G 3/4"	0 - 160	30 *
6213	Shut-off valve	NC [A]	10 - 13 ¹ 20 - 40	G 3/8" / G 1/2" ¹ G 3/4" / G 1 1/2"	0 - 90	0 - 4 ¹ 0 - 10
6027	Shut-off valve, Circulation	NO [B]	2,2	G 1/8" / G 1/4"	0 - 160	0 - 30
5406	Circulation	NO [B]	13	G 3/8" / G 1/2"	0 - 160	1 - 30

* max. static pressure

¹ Values valid for DN10 and DN13



5406

Type 5406 valves are pilot-controlled solenoid valves with servo piston. Depending on the version, these valves can be used either as feed line or circulation valves. The DIN CERTCO registration number for the NC version is 5S255.



5407

Type 5407 valves are direct-acting solenoid valves with piston. These valves can be used in combination with type 5406 as return line valves. The DIN CERTCO registration number is 5S255.

Product features and benefits

The most important features of our solenoid valves for oil burners and the resulting benefits can be found in the following table.

Features	Benefits
TÜV-approvals in accordance with DIN EN ISO 23553-1 and DIN CERTCO	Confirmation regarding requested quality, life-cycle and reliability
Sealing materials with high thermal and chemical resistance to media	Use of a wide range of liquid fuels: – Heating oil (EL, S, R, SA,...) (DIN 51603 part 1-6) – Ship fuels (ISO 8217) – Fatty Acid Methyl Esters (FAME) (DIN EN 14213) – Rapeseed oil (DIN V 51605)
Universal, central screwed coil system	– Reduced logistics and service expenses, easy handling – optimized and adapted power range – tailor-made coil system for serial connection of flow line valve and return flow valve – Protection class IP65 in combination with plug DIN EN 175301-803, form A
Rugged design, short length, high quality material	Medium resistant, easy and fast mounting of short and compact valve construction



6027

Type 6027 valves are direct-acting solenoid valves. Depending on the version, these valves can be used either as feed line, return line or circulation valves. The DIN CERTCO registration numbers are 5S255 and 5S259.



6213

Type 6213 has a spring coupled membrane system. Due to the bigger process connections it is used as shut-off valve. The DIN CERTCO registration numbers are 5S236.