

# Medium Pressure Axial Fans

## Model TBI-CA Level 4 & 5 with Cast Aluminum Propeller

Belt Drive • Clean Air or Fume Exhaust



BUILDING VALUE IN AIR.

 **GREENHECK**  
Building Value in Air.

November  
2012

Model TBI-CA inline medium pressure axial fans are designed for use in ducted or unducted applications with pressures ranging from 1 to 3.25 inches wg (250 - 812 Pa). TBI-CA Level 4 and 5 models are manufactured with heavy gauge steel and aircraft quality aluminum hubs and blades to efficiently move a wide volumetric flow in light commercial to severe industrial applications. The TBI-CA is tested in Greenheck's accredited sound and air laboratory to ensure that it meets stringent performance requirements. In addition, all Greenheck products pass our rigorous endurance testing to ensure a long, reliable operating life. See pages 26 and 27 of this brochure for a complete list of Greenheck inline axial fans.

Typical applications include:

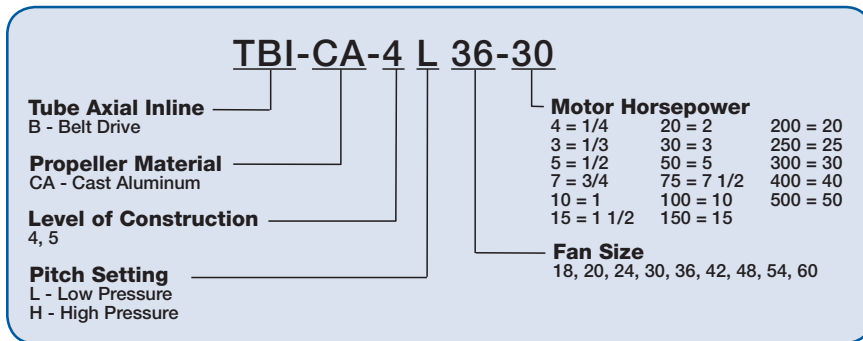
- General exhaust, supply or return air
- Industrial or commercial space ventilation
- Fume hood exhaust
- Paint booth exhaust

## TBI-CA Standard Features:

- Sizes from 18 - 60 inch (457 - 1,524 mm) propeller diameters
- Volume Range: 1,500 - 96,000 cfm (2,550 - 163,000 m<sup>3</sup>/hr)
- Static Pressure: Up to 3.25 inches wg (810 Pa)
- Temperatures: Up to 180°F (82°C) continuous
- Adjustable pitch cast aluminum propeller
- Spark resistant construction
- Motor and drives out of airstream

## Model Number Code

The model number system is designed to completely identify the fan.



## TBI-CA Level 4



## TBI-CA Level 5

Includes Bolt-on Vane Section



## Enjoy Greenheck's extraordinary service, before, during and after the sale.

Greenheck offers added value to our wide selection of top performing, energy-efficient products by providing several unique Greenheck service programs.

- Our Quick Delivery Program ensures shipment of our in-stock products within 24 hours of placing your order. Our Quick Build made-to-order products can be produced in 1-3-5-10-15 or 25-day production cycles, depending upon their complexity.
- Greenheck's free Computer Aided Product Selection program (CAPS), rated by many as the best in the industry, helps you conveniently and efficiently select the right products for the challenge at hand.
- Greenheck has been Green for a long time! Our energy-saving products and ongoing corporate commitment to sustainability can help you qualify for LEED credits.
- Our 3D service allows you to download, at no charge, easy-to-use AutoDesk™ Revit™ 3D drawings for many of our ventilation products.

Find out more about these special Greenheck services at [greenheck.com](http://greenheck.com)



## Adjustable Pitch Cast Aluminum Propellers

Levels 4 and 5 use heavy duty, cast aluminum airfoil propellers that are designed to meet varied capacity and pressure requirements.

- Hubs are single piece aluminum casting.
- Blade bases are cast around steel stems and allow for manual field adjustment of blade pitch.
- All propellers are dynamically balanced to assure vibration-free operation.

## Electrostatic Powder Paint

Powder coatings offer a uniform, durable, and high quality finish. Powder coating is a one-coat process applied over a phosphatized surface that meets or exceeds the corrosion resistance of a comparable wet paint.

Greenheck offers a number of in-house coatings applied via “electrostatic powder”. The standard coating, Permator™, is excellent for indoor or outdoor applications and also has resistance to many common chemicals. Consult Greenheck’s Product Application Guide, FA/110-04R5 Performance Coatings for Ventilation Products, for a complete listing of coatings and a relative resistance chart.



## Maintenance / Serviceable Construction Advantages

The following features have been incorporated into the design to allow for quick and easy field service.

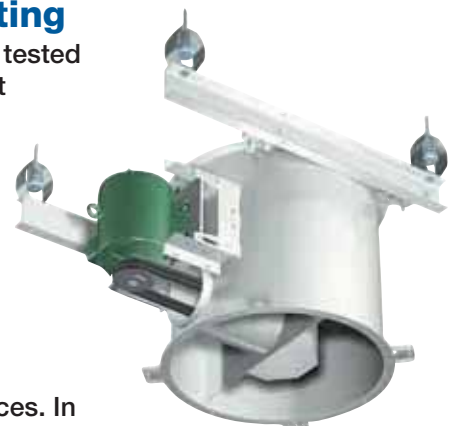
- Bearing lubrication is performed through extended grease fittings located on the outside of the fan housing.
- An adjustable motor base is provided for tightening the fan belts.
- Level 5’s bolt-on vane section can be removed to allow access to hub and blades.
- Propellers are easily removed with the use of taper lock bushings.

*For additional access to the propeller and internal fan components for field service, see the “Easy Access Construction” option in the Accessories section.*



## Complete Assembly and Testing

TBI-CA fans are completely assembled and tested before shipment. Our inspectors ensure that the fan is vibration-free and that they are electrically safe for field operation.



## Easy to Install and Operate

The compact design of the TBI-CA model helps when fitting into tight spaces. In addition, integral connection flanges (prepunched) and optional Universal Mounting brackets accommodate motor position changes for last minute modifications or unexpected installation obstacles. Also available in a roof upblast configuration (see page 5).

## Housing

Housings are continuously welded to prevent air leakage. All steel constructed units are provided with Permator™ coating. Aluminum or stainless housing construction is available upon request.

## Inlet and Outlet Flanges

Integral inlet and outlet flanges with mounting holes are provided for an airtight ductwork connection.

## Bearings

Bearings are air handling quality, grease lubricated, pillow block type. Bearings are selected with a basic rating fatigue life  $L_{10}$  in excess of 80,000 hours (equal to  $L_{50}$  400,000 hours) at each fan's maximum operating speed when mounted in a horizontal configuration.

## Belt and Bearing Tube

Belts, bearings, and drives are protected from the airstream by a heavy gauge belt tube and bearing cover.

## Adjustable Motor Base

Rigid structural motor bases are welded to the fan housing and include heavy duty adjustment screws for belt tensioning.

## Extended Lube Lines

Extended lube lines with grease fittings allow bearing lubrication without disassembling the fan.

## Drives

Greenheck offers either constant or adjustable speed drives for fan speed adjustments. Belts are static free and oil resistant.

## Motors

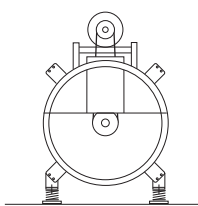
All motors meet the classification for NEMA design B. Motors are available in open drip proof, totally enclosed, or explosion proof enclosures.

## Vane Section - Level 5

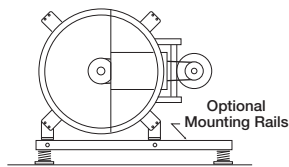
Straightening vanes improve efficiencies 20% by making the air flow more uniform and less turbulent. Additionally, this section can be removed to allow access to the fan hub and blade assembly.



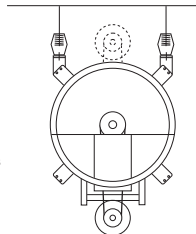
## Horizontal and Vertical Mounting Configurations with Optional Brackets



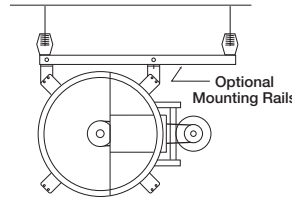
Horizontal Base Mount  
Fig. 1



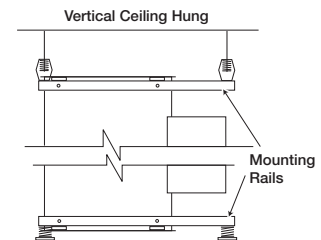
Horizontal Base Mount  
Motor at 3 or 9 o'clock position  
Fig. 2



Horizontal Ceiling Hung  
Fig. 3



Horizontal Ceiling Hung  
Motor at 3 or 9 o'clock position  
Fig. 4



Vertical Base Mount  
Fig. 5

All axial fans can be mounted horizontally or vertically. For ease of installation, eight optional mounting brackets are welded on each fan. These eight brackets along with mounting supports provide for Greenheck's Universal Mounting system.

### Fig. 1 Horizontal Base Mount

Each fan is shipped as standard in this arrangement. Motor at 12 o'clock is standard.

### Fig. 2 Horizontal Base Mount Motor at 3 or 9 o'clock position

A set of optional mounting rails are required for this installation. This is the base mounting position required with the easy access option.

### Fig. 3 Horizontal Ceiling Hung

In this installation the supports can be positioned for mounting the motor at either 6 or 12 o'clock.

### Fig. 4 Horizontal Ceiling Hung

#### Motor at 3 or 9 o'clock position

A set of optional mounting rails is required for this installation.

### Fig. 5 Vertical Mount

All TBI-CA fans can be mounted vertically (ceiling hung or base mount) for either upward or downward airflow. Optional mounting rails are recommended.

*NOTE: All fans are shown with optional vibration isolators. See the appropriate submittal drawings or installation manual for complete dimensional data.*

## Curb Mounted Roof Upblast

TBI-CA axial fans can be offered with a roof curb mounted upblast design. This configuration allows the fan to be easily mounted to a roof curb such as Greenheck model GPFHL. The roof upblast design offers the following features and options:

**Motor Cover** – Weatherproof motor cover shields the motor and drive components from dust, dirt, and moisture. Motor covers meet OSHA standards.

**Fully Welded Curb Cap** – Provides a transition from square roof curb to tubular fan housing. Welded to the fan inlet.

**Windband with Butterfly Dampers** – Bolt-on section that eliminates rain penetration. Includes rubber gasket at damper closure edge to reduce noise when closing. Standard damper blades are steel. Optional aluminum damper blades for low volume applications are also available.

## Correction Factors for Roof Upblast

The constants in the TBI-CA roof upblast corrections table can be used to correct the air data in this catalog to include the losses for roof upblast designs. The required additional static pressure can be calculated by multiplying the appropriate correction factor times the CFM squared.

### Example:

A size 36 TBI-CA is required to ventilate 25,000 cfm against 2 in. wg external static pressure and will be configured with roof upblast construction. The additional pressure to be added to the design static pressure before selecting the fan using the cataloged air data is as follows:

$$P_s = K \times \text{CFM}^2$$

$$P_s = 4.78\text{E-}10 \times 25,000^2$$

$$P_s = 0.299$$

The fan can now be selected from the catalog at 25,000 cfm against 2.299 in. wg

Unit Size	K-Factor
18	2.87E-8
20	1.59E-8
24	4.16E-9
30	1.23E-9
36	4.78E-10
42	2.25E-10
48	1.21E-10
54	7.10E-11
60	4.24E-11

## Belt Guard

Belt guards provide protection from rotating pulleys and belts. Belt guards meet OSHA standards.

## Motor Cover

Weatherproof motor cover shields the motor and drive components from dust, dirt, and moisture for indoor/outdoor installations. Motor covers meet OSHA standards.

## Inspection Section

Inspection sections are an easily removable length of duct and are recommended to improve serviceability. Inspection sections are provided with a full diameter removable access panel.

## Inspection Door

Bolted or hinged inspection door provides access through the fan tube for inspection of the propeller, bearings and drives.

## Easy Access Construction

Recommended to provide inspection, cleaning and service of internal fan components. Allows for the removal of the fan shaft and bearings through the housing without removing the fan from the duct.

## Inlet and Outlet Guards

Removable inlet and outlet guards provide protection for personnel and equipment in ducted or non-ducted installations. Inlet and outlet guards meet OSHA standards.

## Inlet Bell with Inlet Guard

Inlet bells minimize entry losses in non-ducted applications by providing more uniform airflow into the propeller blades. Inlet bells with inlet guard meet OSHA standards.

## Companion Flanges

Companion inlet flanges and outlet flanges with prepunched holes allow for bolted flange to flange connection with ductwork.

## Shaft Seal

Neoprene or felt shaft seals are available to prohibit leakage of air into the bearing compartment of the fan.

## Universal Mounting Brackets

Universal Mounting brackets include all hardware necessary to position the fan horizontally or vertically in either base mount or ceiling hung applications.

## Mounting Rails

Mounting rails are required for horizontal mounting of TBI-CA belt driven fans when the motor is to be located in the 3 or 9 o'clock position or for all vertical applications. Universal Mounting brackets are required.

## Isolators

Both base mount and hanging isolators are available in either neoprene or spring mounts. The isolators are furnished in sets of four and are sized to match the weight of each fan.

## Special Coatings

Special coatings are available for protective purposes. Coatings are applied before assembly so that each manufactured component is coated inside and out. Painting the unit a specified color for appearance is also an option. See Greenheck's Product Application Guide, FA/110-04R5 Performance Coatings for Ventilation Products, for a complete list of coatings available and their chemical resistance; also available online at [www.greenheck.com](http://www.greenheck.com).

## UL/cUL-705

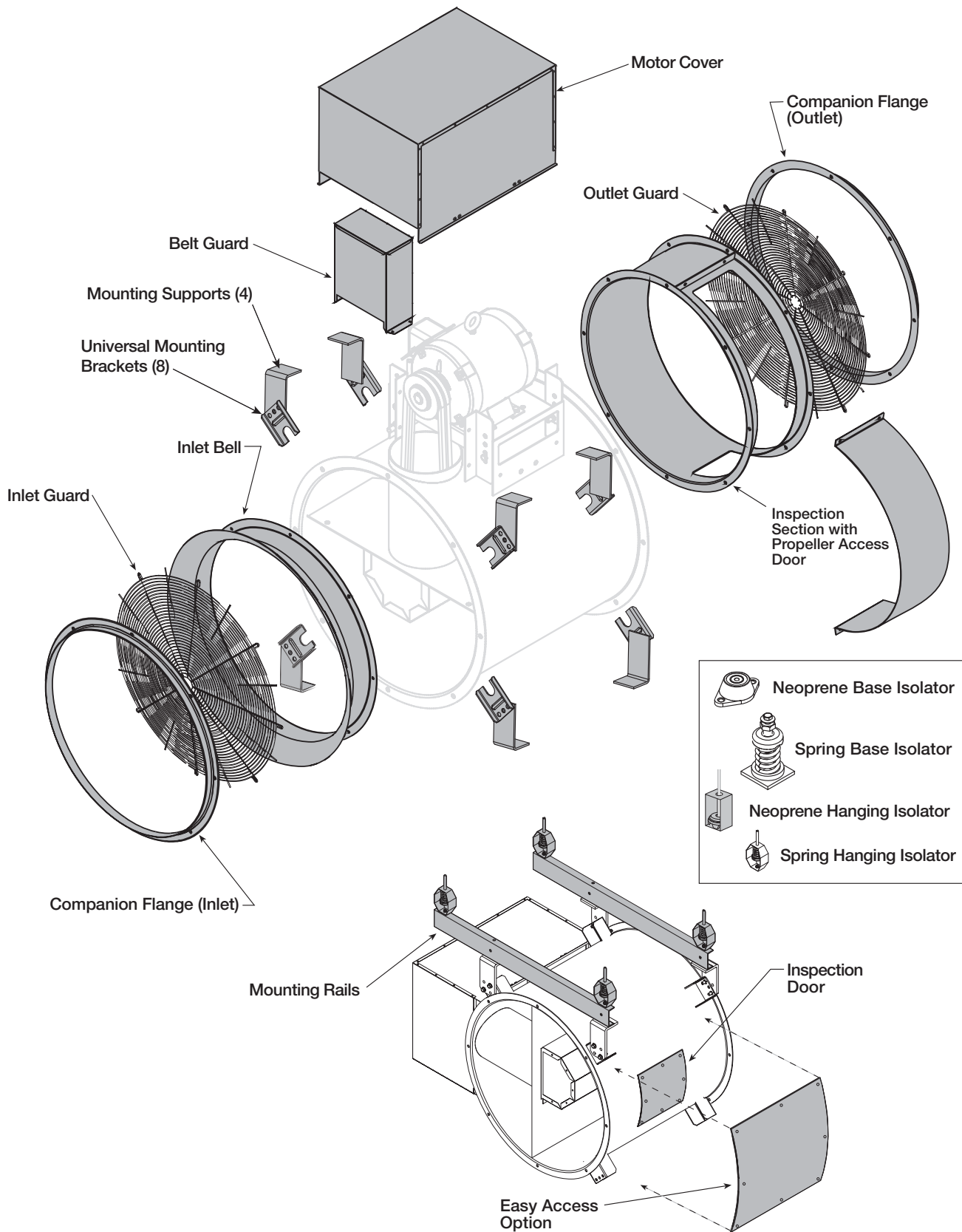
UL/cUL 705 electrical listing available on 50 or 60 Hz motors supplied by Greenheck.



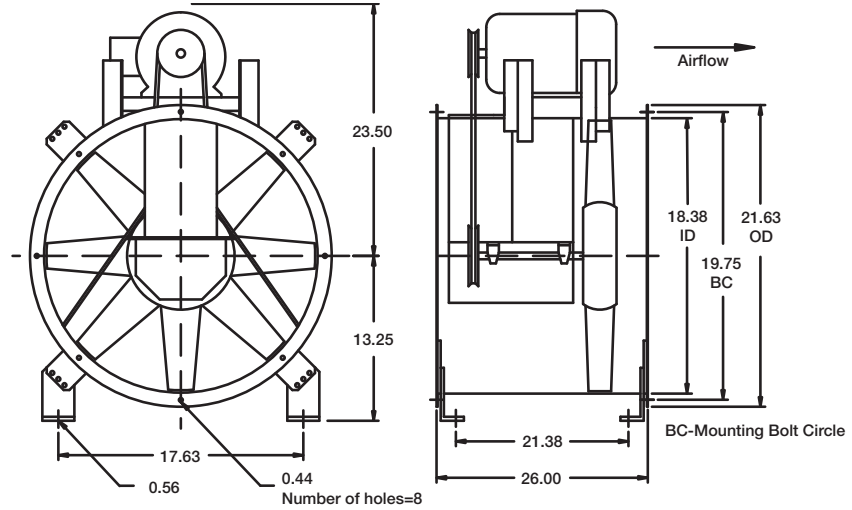
## Disconnect Switches

Toggle and heavy duty disconnect switches are available for positive electrical shut-off and safety in servicing fans. The switches can be factory mounted or shipped loose for field mounting.

- NEMA-1 — General purpose (indoor)
- NEMA-3R — Rainproof (outdoor)
- NEMA-4 — Watertight (outdoor)
- NEMA-7 & 9 — Class 1 and 2 hazardous locations



Specifications	
Maximum RPM - L	2666
Maximum RPM - H	2700
Maximum Motor Frame Size	184T
Fan Tube Gauge	10 ga.
Approx. Weight (LM)	195 lbs.
Number of blades	8
Shaft Diameter	1.1875 inches
Outlet Velocity (ft/min.)	cfm / 1.84 ft <sup>2</sup>
Tip Speed (ft/min.)	Fan RPM x 4.71



Optimum selection for propeller type shown in bold.

All dimensions are shown in inches. Shown with optional mounting brackets.

Model Number	Motor HP	Fan RPM	Max BHP	* L <sub>wjA</sub>	** dBA	Static Pressure in Inches WG / CFM										
						0.00	0.25	0.50	0.75	1.00	1.25	1.50	1.75	2.00	2.25	2.50
4H18-3	1/8	1279	0.33	76	65	1948	1795	<b>1581</b>								
4H18-3	1/8	1321	0.35	75	64	2012	1864	<b>1666</b>								
4L18-5	1/2	1237	0.50	77	66	<b>2762</b>	<b>2475</b>	<b>2114</b>								
4L18-5	1/2	1277	0.55	78	67	<b>2852</b>	<b>2575</b>	<b>2237</b>								
4H18-5	1/2	1465	0.50	75	64	2231	2101	1940	<b>1713</b>							
4H18-5	1/2	1512	0.54	75	64	2303	2177	2026	<b>1820</b>							
4L18-7	3/4	1416	0.75	80	69	<b>3162</b>	<b>2917</b>	<b>2634</b>	<b>2262</b>							
4L18-7	3/4	1461	0.82	80	69	<b>3262</b>	<b>3025</b>	<b>2755</b>	<b>2416</b>							
4H18-7	3/4	1676	0.75	76	65	2553	2442	2312	2156	<b>1941</b>						
4H18-7	3/4	1730	0.81	76	65	2635	2529	2404	2257	<b>2065</b>						
4L18-10	1	1558	1.00	82	71	<b>3479</b>	<b>3258</b>	<b>3012</b>	<b>2722</b>							
4L18-10	1	1608	1.10	83	72	<b>3591</b>	<b>3377</b>	<b>3143</b>	<b>2870</b>							
4H18-10	1	1845	1.00	77	66	2810	2711	2598	2469	<b>2309</b>	<b>2097</b>					
4H18-10	1	1904	1.09	78	67	2900	2804	2696	2574	<b>2428</b>	<b>2241</b>					
4L18-15	1 1/2	1783	1.50	85	74	<b>3981</b>	<b>3791</b>	<b>3584</b>	<b>3358</b>	<b>3094</b>						
4L18-15	1 1/2	1841	1.64	85	74	<b>4111</b>	<b>3927</b>	<b>3729</b>	<b>3512</b>	<b>3269</b>	<b>2965</b>					
4H18-15	1 1/2	2111	1.50	80	69	3215	3129	3035	2931	2815	<b>2679</b>	<b>2512</b>				
4H18-15	1 1/2	2180	1.65	80	69	3320	3237	3147	3049	2939	2814	<b>2666</b>	<b>2473</b>			
4L18-20	2	1963	2.00	86	75	<b>4383</b>	<b>4212</b>	<b>4029</b>	<b>3832</b>	<b>3615</b>	<b>3365</b>					
4L18-20	2	2026	2.20	87	76	<b>4524</b>	<b>4358</b>	<b>4182</b>	<b>3993</b>	<b>3789</b>	<b>3558</b>	<b>3280</b>				
4H18-20	2	2324	2.00	81	70	3539	3461	3380	3289	3190	3081	<b>2958</b>	<b>2811</b>	<b>2627</b>		
4H18-20	2	2399	2.18	82	71	3654	3578	3500	3412	3318	3218	3103	<b>2971</b>	<b>2813</b>		
4L18-30	3	2246	3.00	89	78	<b>5015</b>	<b>4865</b>	<b>4709</b>	<b>4545</b>	<b>4371</b>	<b>4185</b>	<b>3978</b>	<b>3739</b>			
4L18-30	3	2319	3.29	89	78	<b>5178</b>	<b>5033</b>	<b>4883</b>	<b>4726</b>	<b>4559</b>	<b>4381</b>	<b>4187</b>	<b>3970</b>	<b>3717</b>		
4H18-30	3	2660	3.00	84	73	4051	3983	3914	3838	3759	3672	3583	3479	<b>3368</b>	<b>3243</b>	<b>3095</b>
4H18-30	3	2700	3.10	85	74	4112	4045	3977	3903	3825	3741	3653	3554	3448	<b>3327</b>	<b>3186</b>
4L18-50	5	2665	5.00	93	82	<b>5951</b>	<b>5825</b>	<b>5698</b>	<b>5563</b>	<b>5426</b>	<b>5280</b>	<b>5129</b>	<b>4972</b>	<b>4798</b>	<b>4611</b>	<b>4403</b>

Performance shown is for installation type B: free inlet, ducted outlet. Power rating (Bhp) does not include drive losses. Performance ratings do not include the effects of appurtenances in the airstream. The sound power level ratings shown are in decibels, referred to 10<sup>-12</sup> watts calculated per AMCA Standard 301. Values shown are for inlet L<sub>wjA</sub> sound power levels for installation type B: free inlet, ducted outlet. Ratings do not include the effects of end correction.

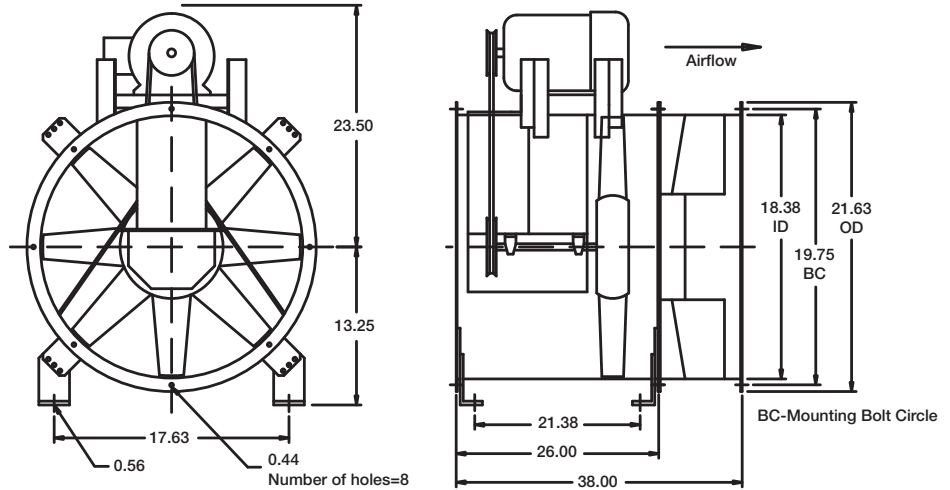
\* Sound power values listed are at 0.50 inches pressure wg for each rpm.

\*\* dBA sound pressure values are weighted with 11.5 dB attenuation for each octave band at 5 feet. Listed sound pressure value is for each rpm at 0.50 inches wg.



Specifications	
Maximum RPM - L	2666
Maximum RPM - H	2700
Maximum Motor Frame Size	184T
Fan Tube Gauge	10 ga.
Approx. Weight (LM)	235 lbs.
Number of blades	8
Shaft Diameter	1.1875 inches
Outlet Velocity (ft/min.)	cfm / 1.84 ft <sup>2</sup>
Tip Speed (ft/min.)	Fan RPM x 4.71

Optimum selection for propeller type shown in bold.



All dimensions are shown in inches. Shown with optional mounting brackets.

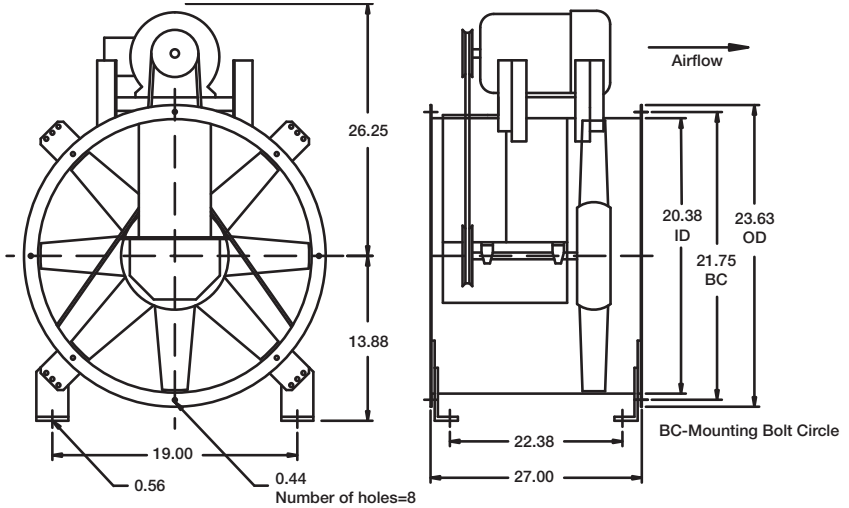
Model Number	Motor HP	Fan RPM	Max BHP	* L <sub>wi</sub> A	** dBA	Static Pressure in Inches WG / CFM										
						0.50	0.75	1.00	1.25	1.50	1.75	2.00	2.25	2.50	2.75	3.00
5L18-3	1/8	1081	0.33	74	63	1783										
5L18-3	1/8	1116	0.37	75	64	1893										
5H18-3	1/8	1277	0.33	74	63	1628	1328									
5H18-3	1/8	1318	0.37	74	63	1707	1446									
5L18-5	1/2	1239	0.50	77	66	2258	1875									
5L18-5	1/2	1279	0.55	77	66	2370	2025									
5H18-5	1/2	1463	0.50	74	63	1972	1788	1492								
5H18-5	1/2	1510	0.55	74	63	2056	1885	1636								
5L18-7	3/4	1417	0.75	79	68	2739	2475	2105								
5L18-7	3/4	1463	0.83	80	69	2859	2610	2288								
5H18-7	3/4	1674	0.75	75	64	2335	2201	2033	1788							
5H18-7	3/4	1728	0.83	76	65	2426	2299	2144	1941							
5L18-10	1	1559	1.00	81	70	3105	2882	2617	2241							
5L18-10	1	1610	1.10	82	71	3233	3024	2777	2464							
5H18-10	1	1843	1.00	77	66	2617	2507	2375	2213	1985						
5H18-10	1	1903	1.10	77	66	2717	2610	2486	2338	2150	1857					
5L18-15	1 1/2	1785	1.50	84	73	3663	3484	3285	3058	2777						
5L18-15	1 1/2	1843	1.65	85	74	3803	3633	3448	3237	2987	2644					
5H18-15	1 1/2	2109	1.50	79	68	3053	2959	2860	2745	2611	2450	2238				
5H18-15	1 1/2	2177	1.65	80	69	3161	3072	2979	2870	2750	2610	2432	2175			
5L18-20	2	1965	2.00	86	75	4097	3943	3772	3587	3379	3134	2804				
5L18-20	2	2028	2.20	87	76	4248	4098	3937	3764	3573	3354	3083				
5H18-20	2	2322	2.00	81	70	3392	3313	3226	3133	3028	2911	2778	2613	2391		
5H18-20	2	2396	2.20	82	71	3509	3435	3350	3266	3165	3061	2934	2789	2611	2366	
5L18-30	3	2249	3.00	89	78	4772	4638	4503	4354	4200	4028	3840	3629	3366		
5L18-30	3	2321	3.30	89	78	4941	4812	4681	4540	4394	4233	4063	3871	3645	3363	
5H18-30	3	2657	3.00	84	73	3920	3857	3785	3709	3633	3544	3452	3349	3236	3103	2952
5H18-30	3	2700	3.14	85	74	3988	3925	3856	3781	3706	3622	3532	3436	3325	3204	3062
5L18-50	5	2666	5.00	92	81	5742	5637	5523	5409	5291	5164	5037	4896	4751	4592	4425

Performance shown is for installation type B: free inlet, ducted outlet. Power rating (Bhp) does not include drive losses. Performance ratings do not include the effects of appurtenances in the airstream. The sound power level ratings shown are in decibels, referred to 10<sup>-12</sup> watts calculated per AMCA Standard 301. Values shown are for inlet L<sub>wi</sub>A sound power levels for installation type B: free inlet, ducted outlet. Ratings do not include the effects of end correction.

\* Sound power values listed are at 0.50 inches pressure wg for each rpm.

\*\* dBA sound pressure values are weighted with 11.5 dB attenuation for each octave band at 5 feet. Listed sound pressure value is for each rpm at 0.50 inches wg.

Specifications	
Maximum RPM - L	2634
Maximum RPM - H	2700
Maximum Motor Frame Size	213T
Fan Tube Gauge	10 ga.
Approx. Weight (LM)	210 lbs.
Number of blades	8
Shaft Diameter	1.1875 inches
Outlet Velocity (ft/min.)	cfm / 2.26 ft <sup>2</sup>
Tip Speed (ft/min.)	Fan RPM x 5.24



Optimum selection for propeller type shown in bold.

All dimensions are shown in inches. Shown with optional mounting brackets.

Model Number	Motor HP	Fan RPM	Max BHP	* L <sub>wi</sub> A	** dBA	Static Pressure in Inches WG / CFM										
						0.00	0.25	0.50	0.75	1.00	1.25	1.50	1.75	2.00	2.25	2.50
4H20-5	½	1342	0.50	76	65	2829	2637	<b>2392</b>	<b>2012</b>							
4H20-5	½	1355	0.55	76	65	2856	2666	2425	<b>2059</b>							
4L20-7	¾	1223	0.75	80	69	<b>4101</b>	<b>3700</b>	<b>3177</b>								
4L20-7	¾	1263	0.83	81	70	<b>4235</b>	<b>3851</b>	<b>3356</b>								
4H20-7	¾	1526	0.75	76	65	3217	3052	2857	<b>2605</b>							
4H20-7	¾	1549	0.83	77	66	3265	3104	2912	<b>2671</b>	<b>2321</b>						
4L20-10	1	1348	1.00	82	71	<b>4520</b>	<b>4163</b>	<b>3727</b>	<b>3129</b>							
4L20-10	1	1390	1.10	83	72	<b>4661</b>	<b>4316</b>	<b>3901</b>	<b>3355</b>							
4H20-10	1	1667	1.00	77	66	3514	3367	3195	2990	<b>2724</b>						
4H20-10	1	1729	1.10	78	67	3645	3503	3342	3151	<b>2914</b>						
4L20-15	1½	1541	1.50	85	74	<b>5167</b>	<b>4861</b>	<b>4509</b>	<b>4085</b>							
4L20-15	1½	1591	1.65	86	75	<b>5335</b>	<b>5040</b>	<b>4703</b>	<b>4306</b>	<b>3799</b>						
4H20-15	1½	1897	1.50	80	69	3999	3870	3727	3566	<b>3380</b>	<b>3150</b>	<b>2843</b>				
4H20-15	1½	1959	1.65	80	69	4130	4005	3868	3715	3541	<b>3332</b>	<b>3066</b>				
4L20-20	2	1695	2.00	88	77	<b>5683</b>	<b>5410</b>	<b>5102</b>	<b>4747</b>	<b>4325</b>						
4L20-20	2	1750	2.20	88	77	<b>5868</b>	<b>5605</b>	<b>5310</b>	<b>4973</b>	<b>4585</b>	<b>4093</b>					
4H20-20	2	2085	2.00	81	70	4395	4278	4153	4016	3862	<b>3685</b>	<b>3473</b>	<b>3200</b>			
4H20-20	2	2162	2.20	82	71	4557	4444	4326	4195	4049	3886	<b>3696</b>	<b>3466</b>			
4L20-30	3	1940	3.00	90	79	<b>6505</b>	<b>6268</b>	<b>6011</b>	<b>5727</b>	<b>5410</b>	<b>5052</b>	<b>4607</b>				
4L20-30	3	2003	3.30	91	80	<b>6716</b>	<b>6486</b>	<b>6239</b>	<b>5969</b>	<b>5670</b>	<b>5334</b>	<b>4938</b>				
4H20-30	3	2390	3.00	84	73	5038	4936	4834	4716	4595	4461	4313	<b>4147</b>	<b>3955</b>	<b>3721</b>	
4H20-30	3	2461	3.30	85	74	5188	5088	4989	4877	4762	4633	4496	<b>4344</b>	<b>4166</b>	<b>3961</b>	<b>3713</b>
4L20-50	5	2300	5.00	94	83	<b>7712</b>	<b>7512</b>	<b>7306</b>	<b>7084</b>	<b>6843</b>	<b>6586</b>	<b>6308</b>	<b>5999</b>	<b>5638</b>		
4L20-50	5	2375	5.51	95	84	<b>7963</b>	<b>7770</b>	<b>7573</b>	<b>7358</b>	<b>7130</b>	<b>6890</b>	<b>6622</b>	<b>6333</b>	<b>6009</b>	<b>5637</b>	
4L20-75	7½	2633	7.50	97	86	<b>8828</b>	<b>8654</b>	<b>8479</b>	<b>8290</b>	<b>8096</b>	<b>7887</b>	<b>7670</b>	<b>7432</b>	<b>7185</b>	<b>6914</b>	<b>6608</b>

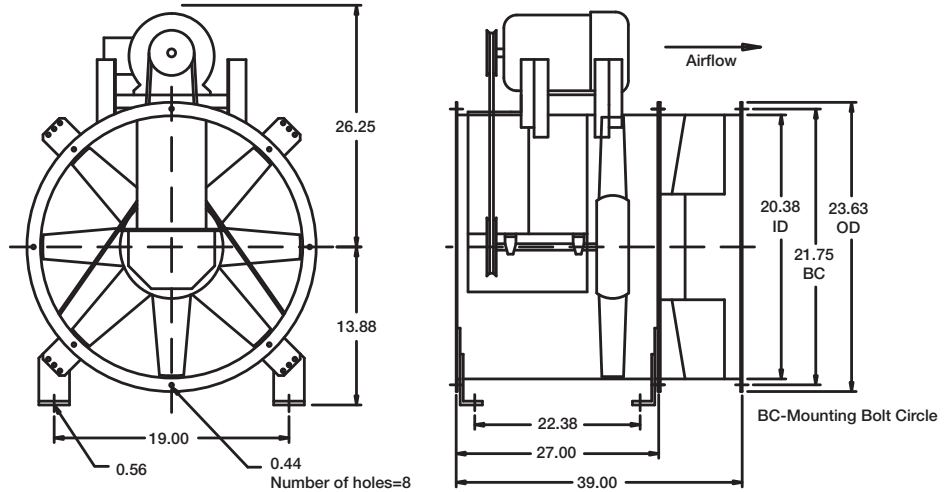
Performance shown is for installation type B: free inlet, ducted outlet. Power rating (Bhp) does not include drive losses. Performance ratings do not include the effects of appurtenances in the airstream. The sound power level ratings shown are in decibels, referred to 10<sup>-12</sup> watts calculated per AMCA Standard 301. Values shown are for inlet L<sub>wi</sub>A sound power levels for installation type B: free inlet, ducted outlet. Ratings do not include the effects of end correction.

\* Sound power values listed are at 0.50 inches pressure wg for each rpm.

\*\* dBA sound pressure values are weighted with 11.5 dB attenuation for each octave band at 5 feet. Listed sound pressure value is for each rpm at 0.50 inches wg.

Specifications	
Maximum RPM - L	2634
Maximum RPM - H	2700
Maximum Motor Frame Size	213T
Fan Tube Gauge	10 ga.
Approx. Weight (LM)	255 lbs.
Number of blades	8
Shaft Diameter	1.1875 inches
Outlet Velocity (ft/min.)	cfm / 2.26 ft <sup>2</sup>
Tip Speed (ft/min.)	Fan RPM x 5.24

Optimum selection for propeller type shown in bold.



All dimensions are shown in inches. Shown with optional mounting brackets.

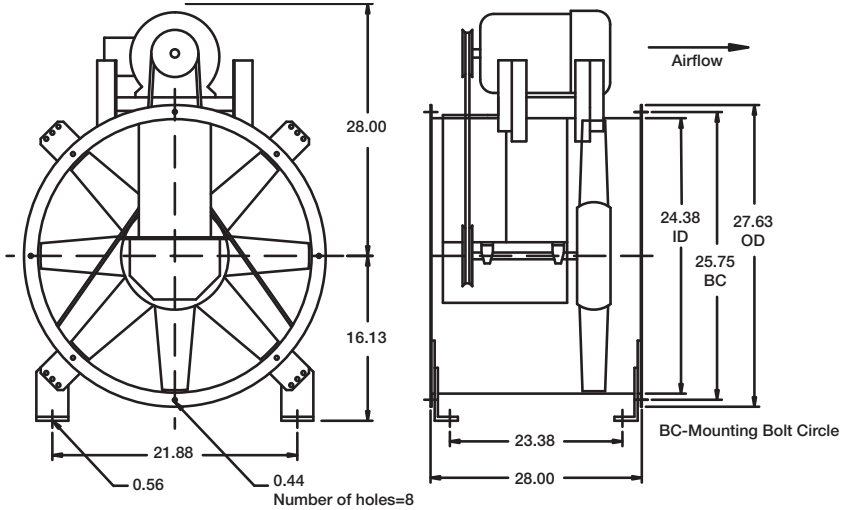
Model Number	Motor HP	Fan RPM	Max BHP	* L <sub>wi</sub> A	** dBA	Static Pressure in Inches WG / CFM											
						0.50	0.75	1.00	1.25	1.50	1.75	2.00	2.25	2.50	2.75	3.00	
5L20-5	½	1068	0.50	78	67	<b>2671</b>											
5L20-5	½	1102	0.55	78	67	<b>2839</b>											
5H20-5	½	1317	0.50	75	64	2383	<b>2070</b>										
5H20-5	½	1365	0.55	75	64	2505	<b>2229</b>										
5L20-7	¾	1224	0.75	80	69	<b>3380</b>	<b>2828</b>										
5L20-7	¾	1263	0.83	81	70	<b>3541</b>	<b>3044</b>										
5H20-7	¾	1506	0.75	76	65	2852	2639	<b>2341</b>									
5H20-7	¾	1549	0.83	76	65	2954	2753	<b>2484</b>	<b>2066</b>								
5L20-10	1	1346	1.00	82	71	<b>3877</b>	<b>3460</b>	<b>2850</b>									
5L20-10	1	1390	1.10	82	71	<b>4052</b>	<b>3659</b>	<b>3130</b>									
5H20-10	1	1654	1.00	77	66	3199	3023	2804	<b>2515</b>								
5H20-10	1	1704	1.10	77	66	3315	3149	2948	<b>2685</b>	<b>2298</b>							
5L20-15	1½	1540	1.50	85	74	<b>4630</b>	<b>4309</b>	<b>3925</b>	<b>3417</b>								
5L20-15	1½	1590	1.65	86	75	<b>4817</b>	<b>4513</b>	<b>4158</b>	<b>3708</b>								
5H20-15	1½	1889	1.50	79	68	3740	3598	3437	3250	<b>3016</b>	<b>2705</b>						
5H20-15	1½	1951	1.65	80	69	3881	3744	3595	3426	<b>3217</b>	<b>2952</b>	<b>2572</b>					
5L20-20	2	1696	2.00	87	76	<b>5210</b>	<b>4938</b>	<b>4627</b>	<b>4260</b>	<b>3796</b>							
5L20-20	2	1750	2.20	88	77	<b>5408</b>	<b>5152</b>	<b>4860</b>	<b>4524</b>	<b>4109</b>	<b>3556</b>						
5H20-20	2	2080	2.00	81	70	4168	4044	3915	3761	3590	<b>3388</b>	<b>3133</b>	<b>2780</b>				
5H20-20	2	2147	2.20	82	71	4316	4199	4074	3932	3780	3591	<b>3369</b>	<b>3088</b>				
5L20-30	3	1941	3.00	90	79	<b>6103</b>	<b>5876</b>	<b>5633</b>	<b>5368</b>	<b>5064</b>	<b>4709</b>	<b>4281</b>					
5L20-30	3	2004	3.30	91	80	<b>6330</b>	<b>6110</b>	<b>5883</b>	<b>5628</b>	<b>5345</b>	<b>5026</b>	<b>4649</b>	<b>4170</b>				
5H20-30	3	2381	3.00	84	73	4830	4735	4622	4509	4381	4244	4086	<b>3915</b>	<b>3701</b>	<b>3443</b>	<b>3109</b>	
5H20-30	3	2456	3.30	85	74	4994	4903	4795	4686	4570	4437	4300	4134	<b>3950</b>	<b>3740</b>	<b>3472</b>	
5L20-50	5	2301	5.00	94	83	<b>7376</b>	<b>7199</b>	<b>7007</b>	<b>6815</b>	<b>6593</b>	<b>6371</b>	<b>6114</b>	<b>5842</b>	<b>5532</b>	<b>5167</b>	<b>4724</b>	
5L20-50	5	2375	5.50	95	84	<b>7635</b>	<b>7467</b>	<b>7281</b>	<b>7096</b>	<b>6889</b>	<b>6675</b>	<b>6441</b>	<b>6192</b>	<b>5907</b>	<b>5595</b>	<b>5231</b>	
5L20-75	7½	2634	7.50	97	86	<b>8536</b>	<b>8388</b>	<b>8229</b>	<b>8062</b>	<b>7895</b>	<b>7714</b>	<b>7521</b>	<b>7327</b>	<b>7107</b>	<b>6883</b>	<b>6632</b>	

Performance shown is for installation type B: free inlet, ducted outlet. Power rating (Bhp) does not include drive losses. Performance ratings do not include the effects of appurtenances in the airstream. The sound power level ratings shown are in decibels, referred to 10<sup>-12</sup> watts calculated per AMCA Standard 301. Values shown are for inlet L<sub>wi</sub>A sound power levels for installation type B: free inlet, ducted outlet. Ratings do not include the effects of end correction.

\* Sound power values listed are at 0.50 inches pressure wg for each rpm.

\*\* dBA sound pressure values are weighted with 11.5 dB attenuation for each octave band at 5 feet. Listed sound pressure value is for each rpm at 0.50 inches wg.

Specifications	
Maximum RPM - L	2250
Maximum RPM - H	2678
Maximum Motor Frame Size	215T
Fan Tube Gauge	10 ga.
Approx. Weight (LM)	255 lbs.
Number of blades	8
Shaft Diameter	1.1875 inches
Outlet Velocity (ft/min.)	cfm / 3.21 ft <sup>2</sup>
Tip Speed (ft/min.)	Fan RPM x 6.28



Optimum selection for propeller type shown in bold.

All dimensions are shown in inches. Shown with optional mounting brackets.

Model Number	Motor HP	Fan RPM	Max BHP	* L <sub>wi</sub> A	** dBA	Static Pressure in Inches WG / CFM										
						0.00	0.25	0.50	0.75	1.00	1.25	1.50	1.75	2.00	2.25	2.50
4L24-7	<b>¾</b>	973	0.75	80	69	<b>6517</b>	<b>5744</b>	<b>4543</b>								
4L24-7	<b>¾</b>	978	0.83	80	69	<b>6551</b>	<b>5783</b>	<b>4597</b>								
4H24-7	¾	1233	0.75	78	67	4900	4561	4122								
4H24-7	¾	1266	0.85	78	67	5031	4702	4284								
4L24-10	<b>1</b>	1048	1.00	80	69	<b>7020</b>	<b>6320</b>	<b>5322</b>								
4L24-10	<b>1</b>	1084	1.10	80	69	<b>7261</b>	<b>6594</b>	<b>5671</b>								
4H24-10	1	1358	1.00	79	68	5397	5093	4727	<b>4228</b>							
4H24-10	1	1415	1.10	80	69	5623	5334	4992	<b>4550</b>							
4L24-15	<b>1½</b>	1193	1.50	82	71	<b>7991</b>	<b>7398</b>	<b>6641</b>	<b>5578</b>							
4L24-15	<b>1½</b>	1234	1.65	83	72	<b>8265</b>	<b>7695</b>	<b>6982</b>	<b>6017</b>							
4H24-15	1½	1551	1.50	82	71	6164	5905	5607	5250	<b>4783</b>						
4H24-15	1½	1616	1.65	83	72	6422	6176	5896	5563	<b>5158</b>						
4L24-20	<b>2</b>	1323	2.00	85	74	<b>8861</b>	<b>8337</b>	<b>7711</b>	<b>6902</b>							
4L24-20	<b>2</b>	1370	2.20	86	75	<b>9176</b>	<b>8673</b>	<b>8077</b>	<b>7331</b>							
4H24-20	2	1699	2.00	84	73	6752	6518	6258	5959	<b>5597</b>	<b>5138</b>					
4H24-20	2	1770	2.20	85	74	7034	6809	6562	6283	<b>5960</b>	<b>5556</b>					
4L24-30	<b>3</b>	1513	3.00	88	77	<b>10134</b>	<b>9690</b>	<b>9174</b>	<b>8565</b>	<b>7827</b>						
4L24-30	<b>3</b>	1553	3.30	89	78	<b>10402</b>	<b>9970</b>	<b>9476</b>	<b>8895</b>	<b>8205</b>	<b>7340</b>					
4H24-30	3	1934	3.02	87	76	7686	7480	7260	7020	6749	<b>6437</b>	<b>6058</b>	<b>5579</b>			
4H24-30	3	2007	3.30	87	76	7976	7778	7569	7345	7087	6800	<b>6466</b>	<b>6057</b>			
4L24-50	<b>5</b>	1789	5.00	94	83	<b>11983</b>	<b>11607</b>	<b>11200</b>	<b>10747</b>	<b>10236</b>	<b>9647</b>	<b>8960</b>				
4L24-50	<b>5</b>	1841	5.50	94	83	<b>12331</b>	<b>11966</b>	<b>11574</b>	<b>11144</b>	<b>10661</b>	<b>10110</b>	<b>9469</b>	<b>8722</b>			
4H24-50	5	2312	5.00	90	79	9188	9016	8844	8652	8457	8233	7996	<b>7739</b>	<b>7437</b>	<b>7090</b>	<b>6671</b>
4H24-50	5	2374	5.50	91	80	9434	9267	9099	8915	8726	8513	8291	8042	<b>7764</b>	<b>7450</b>	<b>7078</b>
4L24-75	<b>7½</b>	2046	7.50	97	86	<b>13704</b>	<b>13376</b>	<b>13039</b>	<b>12665</b>	<b>12259</b>	<b>11819</b>	<b>11332</b>	<b>10777</b>	<b>10151</b>		
4L24-75	<b>7½</b>	2109	8.26	98	87	<b>14126</b>	<b>13808</b>	<b>13486</b>	<b>13123</b>	<b>12740</b>	<b>12326</b>	<b>11858</b>	<b>11345</b>	<b>10771</b>	<b>10120</b>	
4L24-100	<b>10</b>	2250	10.01	100	89	<b>15071</b>	<b>14772</b>	<b>14474</b>	<b>14141</b>	<b>13801</b>	<b>13418</b>	<b>13018</b>	<b>12575</b>	<b>12087</b>	<b>11551</b>	<b>10955</b>

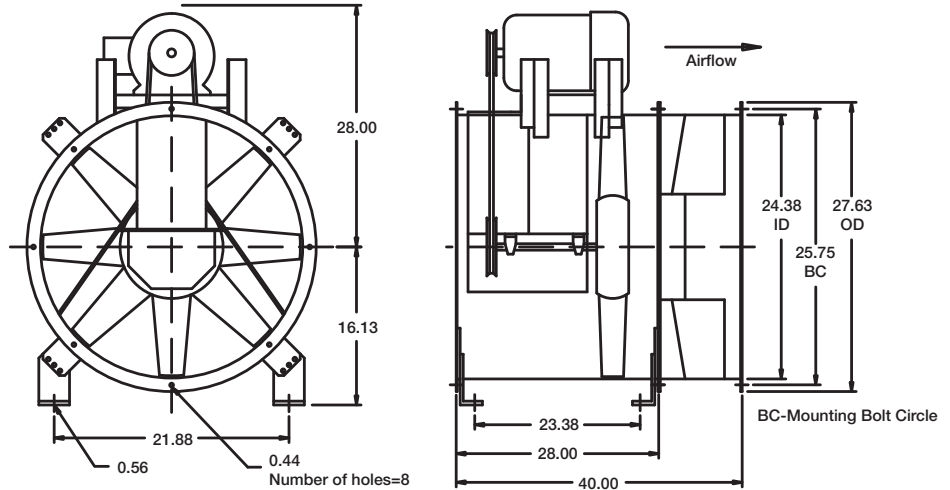
Performance shown is for installation type B: free inlet, ducted outlet. Power rating (Bhp) does not include drive losses. Performance ratings do not include the effects of appurtenances in the airstream. The sound power level ratings shown are in decibels, referred to 10<sup>-12</sup> watts calculated per AMCA Standard 301. Values shown are for inlet L<sub>wi</sub>A sound power levels for installation type B: free inlet, ducted outlet. Ratings do not include the effects of end correction.

\* Sound power values listed are at 0.50 inches pressure wg for each rpm.

\*\* dBA sound pressure values are weighted with 11.5 dB attenuation for each octave band at 5 feet. Listed sound pressure value is for each rpm at 0.50 inches wg.

Specifications	
Maximum RPM - L	2250
Maximum RPM - H	2678
Maximum Motor Frame Size	215T
Fan Tube Gauge	10 ga.
Approx. Weight (LM)	310 lbs.
Number of blades	8
Shaft Diameter	1.1875 inches
Outlet Velocity (ft/min.)	cfm / 3.21 ft <sup>2</sup>
Tip Speed (ft/min.)	Fan RPM x 6.28

Optimum selection for propeller type shown in bold.



All dimensions are shown in inches. Shown with optional mounting brackets.

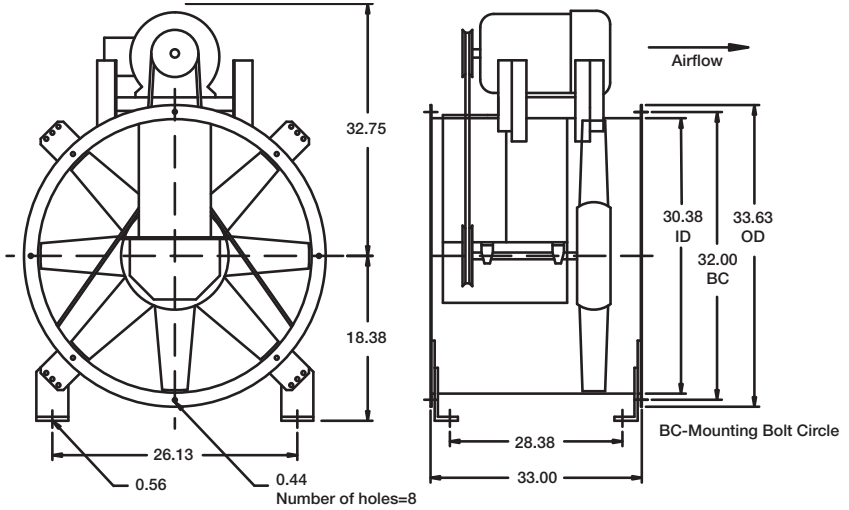
Model Number	Motor HP	Fan RPM	Max BHP	* L <sub>wi</sub> A	** dBA	Static Pressure in Inches WG / CFM										
						0.50	0.75	1.00	1.25	1.50	1.75	2.00	2.25	2.50	2.75	3.00
5L24-7	¼	950	0.75	78	67	4718										
5L24-7	¼	983	0.83	78	67	5045										
5H24-7	¼	1218	0.75	77	66	4135	3557									
5H24-7	¼	1268	0.83	78	67	4374	3868									
5L24-10	1	1041	1.00	79	68	5583	4374									
5L24-10	1	1075	1.10	80	69	5885	4805									
5H24-10	1	1328	1.00	78	67	4657	4218	3514								
5H24-10	1	1378	1.10	79	68	4890	4485	3904								
5L24-15	1½	1192	1.50	82	71	6862	6061	4922								
5L24-15	1½	1231	1.65	83	72	7174	6442	5419								
5H24-15	1½	1526	1.50	81	70	5549	5228	4830	4259							
5H24-15	1½	1587	1.65	82	71	5816	5518	5157	4687							
5L24-20	2	1315	2.00	85	74	7838	7193	6384								
5L24-20	2	1354	2.20	85	74	8133	7536	6777	5776							
5H24-20	2	1681	2.00	84	73	6224	5958	5647	5260	4733						
5H24-20	2	1725	2.20	84	73	6414	6159	5860	5502	5048	4365					
5L24-30	3	1502	3.00	88	77	9235	8741	8161	7459	6566						
5L24-30	3	1552	3.30	89	78	9603	9138	8601	7954	7163						
5H24-30	3	1920	3.00	86	75	7246	7019	6782	6510	6190	5805	5313				
5H24-30	3	1976	3.30	87	76	7479	7264	7041	6778	6487	6145	5716	5128			
5L24-50	5	1782	5.01	94	83	11275	10885	10472	10016	9481	8873	8156				
5L24-50	5	1838	5.50	94	83	11671	11299	10914	10472	9981	9428	8787	8021			
5H24-50	5	2269	5.00	90	79	8692	8526	8332	8138	7920	7689	7424	7137	6781	6358	5808
5H24-50	5	2350	5.50	91	80	9025	8868	8684	8497	8299	8077	7849	7573	7274	6928	6496
5L24-75	7½	2038	7.50	97	86	13073	12763	12422	12069	11670	11246	10771	10235	9635	8944	
5L24-75	7½	2104	8.26	98	87	13534	13242	12912	12581	12201	11815	11362	10885	10347	9728	9030
5H24-75	7½	2678	7.50	93	82	10367	10229	10092	9928	9764	9599	9417	9222	9027	8797	8554
5L24-100	10	2247	10.00	100	89	14527	14265	13963	13654	13335	12973	12612	12188	11757	11254	10717

Performance shown is for installation type B: free inlet, ducted outlet. Power rating (Bhp) does not include drive losses. Performance ratings do not include the effects of appurtenances in the airstream. The sound power level ratings shown are in decibels, referred to 10<sup>-12</sup> watts calculated per AMCA Standard 301. Values shown are for inlet L<sub>wi</sub>A sound power levels for installation type B: free inlet, ducted outlet. Ratings do not include the effects of end correction.

\* Sound power values listed are at 0.50 inches pressure wg for each rpm.

\*\* dBA sound pressure values are weighted with 11.5 dB attenuation for each octave band at 5 feet. Listed sound pressure value is for each rpm at 0.50 inches wg.

Specifications	
Maximum RPM - L	1814
Maximum RPM - H	2145
Maximum Motor Frame Size	254T
Fan Tube Gauge	10 ga.
Approx. Weight (LM)	340 lbs.
Number of blades	8
Shaft Diameter	1.4375 inches
Outlet Velocity (ft/min.)	cfm / 5.07 ft <sup>2</sup>
Tip Speed (ft/min.)	Fan RPM x 7.85



Optimum selection for propeller type shown in bold.

All dimensions are shown in inches. Shown with optional mounting brackets.

Model Number	Motor HP	Fan RPM	Max BHP	* L <sub>wi</sub> A	** dBA	Static Pressure in Inches WG / CFM										
						0.00	0.25	0.50	0.75	1.00	1.25	1.50	1.75	2.00	2.25	2.50
4H30-10	1	932	1.00	79	68	8065	7111	<b>5804</b>								
4H30-10	1	969	1.10	79	68	8385	7473	<b>6282</b>								
4L30-15	1½	855	1.52	81	70	<b>11259</b>	<b>9731</b>	<b>7729</b>								
4L30-15	1½	866	1.65	81	70	<b>11404</b>	<b>9899</b>	<b>7941</b>								
4H30-15	1½	1051	1.50	80	69	9094	8266	7249	<b>5862</b>							
4H30-15	1½	1093	1.65	81	70	9458	8668	7721	<b>6457</b>							
4L30-20	2	929	2.00	82	71	<b>12234</b>	<b>10852</b>	<b>9130</b>								
4L30-20	2	962	2.20	82	71	<b>12669</b>	<b>11346</b>	<b>9723</b>								
4H30-20	2	1182	2.00	83	72	10228	9511	8668	<b>7633</b>							
4H30-20	2	1211	2.20	84	73	10479	9784	8972	<b>7987</b>	<b>6732</b>						
4L30-30	3	1057	3.00	84	73	<b>13920</b>	<b>12730</b>	<b>11347</b>	<b>9656</b>							
4L30-30	3	1094	3.30	85	74	<b>14407</b>	<b>13262</b>	<b>11950</b>	<b>10362</b>							
4H30-30	3	1350	3.00	87	76	11682	11059	10370	9579	<b>8623</b>						
4H30-30	3	1370	3.30	87	76	11855	11241	10565	9793	<b>8880</b>	<b>7756</b>					
4L30-50	5	1256	5.00	90	79	<b>16540</b>	<b>15563</b>	<b>14475</b>	<b>13263</b>	<b>11828</b>						
4L30-50	5	1300	5.50	91	80	<b>17120</b>	<b>16182</b>	<b>15140</b>	<b>13987</b>	<b>12656</b>						
4H30-50	5	1589	5.00	91	80	13750	13221	12670	12067	11384	<b>10614</b>	<b>9721</b>				
4H30-50	5	1624	5.50	92	81	14052	13535	13002	12412	11756	<b>11024</b>	<b>10179</b>	<b>9220</b>			
4L30-75	7½	1441	7.51	95	84	<b>18977</b>	<b>18135</b>	<b>17224</b>	<b>16241</b>	<b>15160</b>	<b>13917</b>					
4L30-75	7½	1481	8.28	95	84	<b>19503</b>	<b>18685</b>	<b>17803</b>	<b>16855</b>	<b>15821</b>	<b>14659</b>	<b>13390</b>				
4H30-75	7½	1815	7.50	94	83	15705	15242	14779	14266	13738	13137	<b>12494</b>	<b>11781</b>	<b>10963</b>		
4H30-75	7½	1863	8.25	95	84	16121	15670	15219	14726	14212	13644	13046	<b>12356</b>	<b>11594</b>	<b>10760</b>	
4L30-100	10	1587	10.01	97	86	<b>20899</b>	<b>20135</b>	<b>19326</b>	<b>18464</b>	<b>17543</b>	<b>16532</b>	<b>15403</b>				
4L30-100	10	1631	11.01	98	87	<b>21479</b>	<b>20735</b>	<b>19954</b>	<b>19125</b>	<b>18244</b>	<b>17279</b>	<b>16213</b>	<b>15065</b>			
4H30-100	10	1991	10.00	96	85	17228	16806	16384	15943	15462	14978	14420	<b>13848</b>	<b>13202</b>	<b>12493</b>	<b>11725</b>
4H30-100	10	2070	11.00	97	86	17912	17506	17100	16688	16225	15762	15253	14716	<b>14128</b>	<b>13507</b>	<b>12794</b>
4L30-150	15	1810	15.00	102	91	<b>23836</b>	<b>23166</b>	<b>22485</b>	<b>21749</b>	<b>20981</b>	<b>20185</b>	<b>19313</b>	<b>18371</b>	<b>17365</b>		

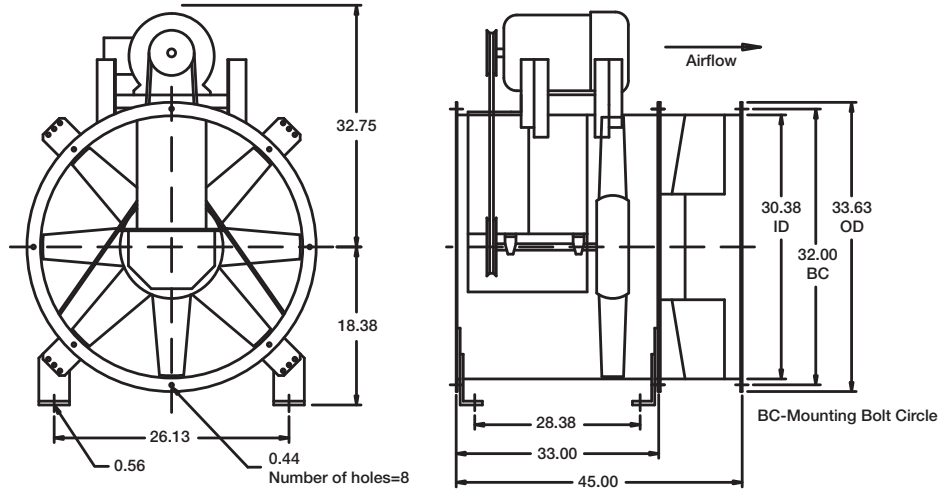
Performance shown is for installation type B: free inlet, ducted outlet. Power rating (Bhp) does not include drive losses. Performance ratings do not include the effects of appurtenances in the airstream. The sound power level ratings shown are in decibels, referred to 10<sup>-12</sup> watts calculated per AMCA Standard 301. Values shown are for inlet L<sub>wi</sub>A sound power levels for installation type B: free inlet, ducted outlet. Ratings do not include the effects of end correction.

\* Sound power values listed are at 0.50 inches pressure wg for each rpm.

\*\* dBA sound pressure values are weighted with 11.5 dB attenuation for each octave band at 5 feet. Listed sound pressure value is for each rpm at 0.50 inches wg.

Specifications	
Maximum RPM - L	1804
Maximum RPM - H	2145
Maximum Motor Frame Size	254T
Fan Tube Gauge	10 ga.
Approx. Weight (LM)	410 lbs.
Number of blades	8
Shaft Diameter	1.4375 inches
Outlet Velocity (ft/min.)	cfm / 5.07 ft <sup>2</sup>
Tip Speed (ft/min.)	Fan RPM x 7.85

Optimum selection for propeller type shown in bold.



All dimensions are shown in inches. Shown with optional mounting brackets.

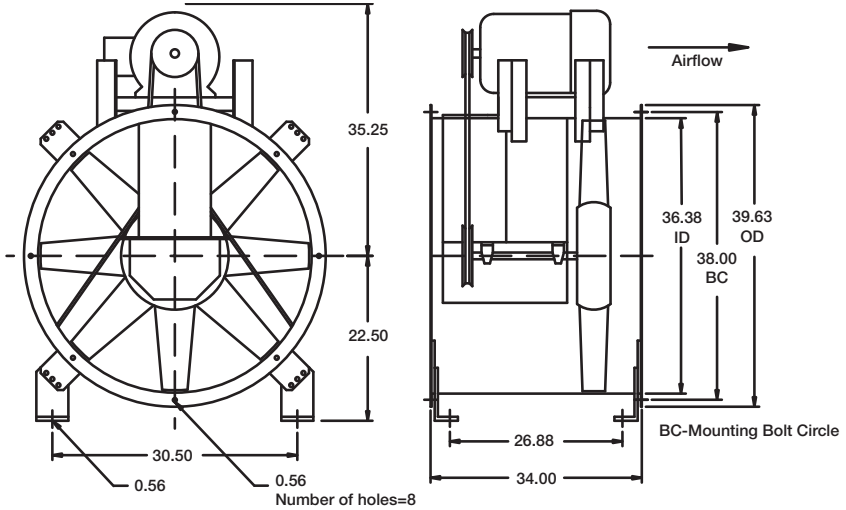
Model Number	Motor HP	Fan RPM	Max BHP	* L <sub>wi</sub> A	** dBA	Static Pressure in Inches WG / CFM											
						0.50	0.75	1.00	1.25	1.50	1.75	2.00	2.25	2.50	2.75	3.00	
5L30-15	1½	843	1.50	80	69	<b>8184</b>											
5L30-15	1½	873	1.65	80	69	<b>8742</b>											
5H30-15	1½	1063	1.50	80	69	7603	<b>6479</b>										
5H30-15	1½	1078	1.65	80	69	7768	<b>6675</b>	5139									
5L30-20	2	920	2.00	81	70	<b>9556</b>	<b>7726</b>										
5L30-20	2	952	2.20	81	70	<b>10101</b>	<b>8421</b>										
5H30-20	2	1159	2.00	82	71	8606	7700	6492									
5H30-20	2	1201	2.28	83	72	9030	8181	7122	5670								
5L30-30	3	1052	3.00	85	74	<b>11715</b>	<b>10392</b>	<b>8695</b>									
5L30-30	3	1089	3.31	86	75	<b>12294</b>	<b>11052</b>	<b>9503</b>									
5H30-30	3	1316	3.01	86	75	10174	9467	8623	<b>7563</b>	<b>6218</b>							
5H30-30	3	1362	3.30	87	76	10625	9954	9163	<b>8228</b>	<b>7023</b>							
5L30-50	5	1253	5.00	90	79	<b>14773</b>	<b>13787</b>	<b>12684</b>	<b>11384</b>								
5L30-50	5	1287	5.50	91	80	<b>15272</b>	<b>14325</b>	<b>13272</b>	<b>12063</b>	<b>10617</b>							
5H30-50	5	1564	5.01	91	80	12548	11989	11404	10715	9951	9052	7959					
5H30-50	5	1611	5.51	91	80	12984	12453	11885	11245	10552	9729	8753	7602				
5L30-75	7½	1431	7.51	95	84	<b>17360</b>	<b>16557</b>	<b>15668</b>	<b>14703</b>	<b>13621</b>	<b>12363</b>						
5L30-75	7½	1473	8.27	96	85	<b>17962</b>	<b>17182</b>	<b>16334</b>	<b>15423</b>	<b>14419</b>	<b>13266</b>	11969					
5H30-75	7½	1786	7.51	94	83	14592	14158	13646	13134	12556	11941	<b>11234</b>	<b>10453</b>	<b>9542</b>	<b>8493</b>		
5H30-75	7½	1849	8.25	95	84	15166	14749	14269	13774	13255	12661	12042	<b>11325</b>	<b>10514</b>	<b>9593</b>		
5L30-100	10	1571	10.02	97	86	<b>19358</b>	<b>18627</b>	<b>17868</b>	<b>17056</b>	<b>16165</b>	<b>15195</b>	<b>14103</b>	<b>12887</b>				
5L30-100	10	1626	11.02	98	87	<b>20132</b>	<b>19430</b>	<b>18717</b>	<b>17932</b>	<b>17106</b>	<b>16227</b>	<b>15222</b>	<b>14092</b>				
5H30-100	10	1977	10.01	96	85	16328	15938	15522	15059	14597	14095	13539	12973	<b>12303</b>	<b>11593</b>	<b>10781</b>	
5H30-100	10	2053	11.01	97	86	17014	16639	16259	15813	15367	14922	14395	13860	<b>13281</b>	<b>12636</b>	<b>11931</b>	
5L30-150	15	1803	15.00	102	91	<b>22589</b>	<b>21984</b>	<b>21347</b>	<b>20696</b>	<b>19989</b>	<b>19268</b>	<b>18475</b>	<b>17640</b>	<b>16730</b>	<b>15696</b>		
5L30-150	15	1814	15.40	102	91	<b>22714</b>	<b>22141</b>	<b>21508</b>	<b>20866</b>	<b>20163</b>	<b>19453</b>	<b>18665</b>	<b>17847</b>	<b>16943</b>	<b>15933</b>	<b>14880</b>	

Performance shown is for installation type B: free inlet, ducted outlet. Power rating (Bhp) does not include drive losses. Performance ratings do not include the effects of appurtenances in the airstream. The sound power level ratings shown are in decibels, referred to 10<sup>-12</sup> watts calculated per AMCA Standard 301. Values shown are for inlet L<sub>wi</sub>A sound power levels for installation type B: free inlet, ducted outlet. Ratings do not include the effects of end correction.

\* Sound power values listed are at 0.50 inches pressure wg for each rpm.

\*\* dBA sound pressure values are weighted with 11.5 dB attenuation for each octave band at 5 feet. Listed sound pressure value is for each rpm at 0.50 inches wg.

Specifications	
Maximum RPM - L	1639
Maximum RPM - H	1791
Maximum Motor Frame Size	256T
Fan Tube Gauge	10 ga.
Approx. Weight (LM)	440 lbs.
Number of blades	8
Shaft Diameter	1.6875 inches
Outlet Velocity (ft/min.)	cfm / 7.22 ft <sup>2</sup>
Tip Speed (ft/min.)	Fan RPM x 9.42



Optimum selection for propeller type shown in bold.

All dimensions are shown in inches. Shown with optional mounting brackets.

Model Number	Motor HP	Fan RPM	Max BHP	* L <sub>wi</sub> A	** dBA	Static Pressure in Inches WG / CFM										
						0.00	0.25	0.50	0.75	1.00	1.25	1.50	1.75	2.00	2.25	2.50
4H36-15	1½	819	1.50	83	72	12620	10981	<b>8748</b>								
4H36-15	1½	850	1.65	83	72	13098	11533	<b>9466</b>								
4H36-20	2	918	2.00	83	72	14145	12721	<b>10952</b>								
4H36-20	2	953	2.20	83	72	14685	13318	<b>11677</b>								
4L36-30	3	875	3.00	87	76	<b>18092</b>	<b>16222</b>	<b>13899</b>								
4L36-30	3	906	3.30	87	76	<b>18733</b>	<b>16943</b>	<b>14754</b>								
4H36-30	3	1037	3.00	86	75	15979	14735	13311	<b>11501</b>							
4H36-30	3	1077	3.31	87	76	16595	15403	14060	<b>12400</b>							
4L36-50	5	1035	5.01	91	80	<b>21401</b>	<b>19858</b>	<b>18092</b>	<b>15963</b>							
4L36-50	5	1071	5.51	92	81	<b>22145</b>	<b>20660</b>	<b>18985</b>	<b>17004</b>							
4H36-50	5	1235	5.00	90	79	19030	18012	16893	15627	<b>14132</b>						
4H36-50	5	1273	5.68	91	80	19646	18660	17592	16397	<b>14993</b>	<b>13362</b>					
4L36-75	7½	1184	7.51	95	84	<b>24482</b>	<b>23156</b>	<b>21689</b>	<b>20050</b>	<b>18107</b>						
4L36-75	7½	1225	8.26	96	85	<b>25329</b>	<b>24054</b>	<b>22651</b>	<b>21089</b>	<b>19299</b>						
4H36-75	7½	1396	7.51	94	83	21511	20610	19652	18615	17461	<b>16129</b>	<b>14621</b>				
4H36-75	7½	1450	8.26	95	84	22343	21476	20561	19581	18507	<b>17285</b>	<b>15883</b>				
4L36-100	10	1301	10.00	98	87	<b>26901</b>	<b>25708</b>	<b>24417</b>	<b>22988</b>	<b>21396</b>	<b>19575</b>					
4L36-100	10	1347	11.02	99	88	<b>27852</b>	<b>26700</b>	<b>25461</b>	<b>24114</b>	<b>22620</b>	<b>20923</b>					
4H36-100	10	1542	10.00	96	85	23761	22945	22098	21208	20229	19155	<b>17944</b>	<b>16594</b>			
4H36-100	10	1601	11.00	97	86	24670	23884	23077	22221	21297	20303	<b>19202</b>	<b>17957</b>			
4L36-150	15	1495	15.00	102	91	<b>30912</b>	<b>29874</b>	<b>28781</b>	<b>27617</b>	<b>26364</b>	<b>24999</b>	<b>23483</b>				
4L36-150	15	1538	16.50	102	91	<b>31801</b>	<b>30792</b>	<b>29737</b>	<b>28620</b>	<b>27426</b>	<b>26125</b>	<b>24709</b>	<b>23122</b>			
4H36-150	15	1769	15.00	100	89	27259	26548	25837	25066	24286	23432	22534	<b>21571</b>	<b>20471</b>	<b>19293</b>	
4H36-150	15	1791	15.50	101	90	27598	26895	26193	25435	24671	23829	22957	22006	<b>20944</b>	<b>19802</b>	
4L36-200	20	1639	20.00	104	93	<b>33890</b>	<b>32943</b>	<b>31968</b>	<b>30941</b>	<b>29836</b>	<b>28668</b>	<b>27420</b>	<b>26061</b>	<b>24565</b>		

Performance shown is for installation type B: free inlet, ducted outlet. Power rating (Bhp) does not include drive losses. Performance ratings do not include the effects of appurtenances in the airstream. The sound power level ratings shown are in decibels, referred to 10<sup>-12</sup> watts calculated per AMCA Standard 301. Values shown are for inlet L<sub>wi</sub>A sound power levels for installation type B: free inlet, ducted outlet. Ratings do not include the effects of end correction.

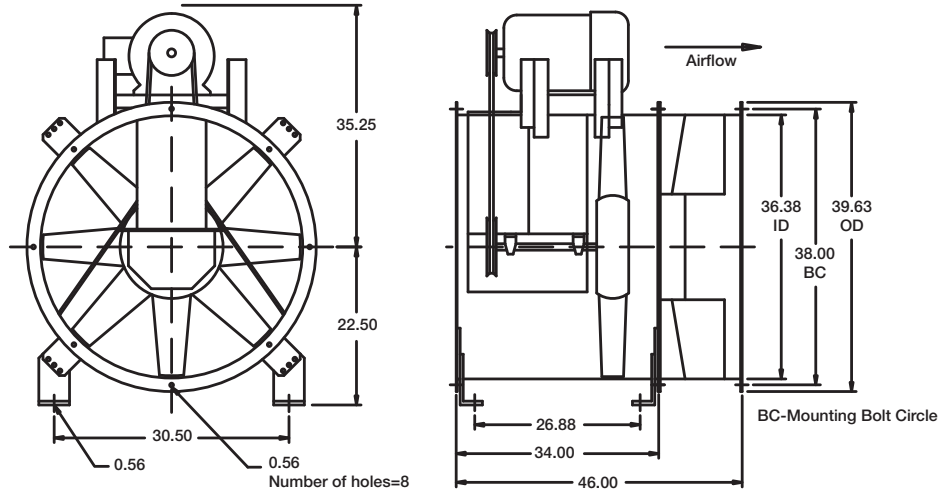
\* Sound power values listed are at 0.50 inches pressure wg for each rpm.

\*\* dBA sound pressure values are weighted with 11.5 dB attenuation for each octave band at 5 feet. Listed sound pressure value is for each rpm at 0.50 inches wg.



Specifications	
Maximum RPM - L	1639
Maximum RPM - H	1791
Maximum Motor Frame Size	256T
Fan Tube Gauge	10 ga.
Approx. Weight (LM)	525 lbs.
Number of blades	8
Shaft Diameter	1.6875 inches
Outlet Velocity (ft/min.)	cfm / 7.22 ft <sup>2</sup>
Tip Speed (ft/min.)	Fan RPM x 9.42

Optimum selection for propeller type shown in bold.



All dimensions are shown in inches. Shown with optional mounting brackets.

Model Number	Motor HP	Fan RPM	Max BHP	* L <sub>wi</sub> A	** dBA	Static Pressure in Inches WG / CFM										
						0.50	0.75	1.00	1.25	1.50	1.75	2.00	2.25	2.50	2.75	3.00
5L36-15	1½	692	1.52	84	73	<b>9276</b>										
5L36-15	1½	713	1.66	84	73	<b>9975</b>										
5H36-15	1½	828	1.50	81	70	9517										
5H36-15	1½	860	1.65	81	70	10199										
5L36-20	2	761	2.00	84	73	<b>11520</b>										
5L36-20	2	788	2.20	85	74	<b>12303</b>										
5H36-20	2	898	2.00	82	71	10994	<b>8757</b>									
5H36-20	2	929	2.20	83	72	11605	<b>9634</b>									
5L36-30	3	870	3.01	86	75	<b>14551</b>	<b>12109</b>									
5L36-30	3	898	3.30	87	76	<b>15284</b>	<b>13026</b>									
5H36-30	3	1027	3.00	86	75	13455	11932	<b>9827</b>								
5H36-30	3	1063	3.31	87	76	14120	12696	<b>10851</b>								
5L36-50	5	1032	5.01	92	81	<b>18595</b>	<b>16934</b>	<b>14881</b>								
5L36-50	5	1066	5.51	92	81	<b>19410</b>	<b>17834</b>	<b>15977</b>								
5H36-50	5	1225	5.00	90	79	16961	15866	14608	<b>13068</b>							
5H36-50	5	1257	5.50	91	80	17511	16463	15278	<b>13844</b>	<b>12012</b>						
5L36-75	7½	1182	7.52	95	84	<b>22110</b>	<b>20784</b>	<b>19297</b>	<b>17549</b>							
5L36-75	7½	1218	8.27	96	85	<b>22932</b>	<b>21663</b>	<b>20253</b>	<b>18645</b>	<b>16716</b>						
5H36-75	7½	1397	7.51	94	83	19889	18980	17992	16907	<b>15646</b>	<b>14095</b>					
5H36-75	7½	1438	8.26	94	83	20578	19695	18760	17754	16566	<b>15182</b>	<b>13481</b>				
5L36-100	10	1298	10.01	98	87	<b>24745</b>	<b>23591</b>	<b>22342</b>	<b>20939</b>	<b>19326</b>	<b>17468</b>					
5L36-100	10	1341	11.01	99	88	<b>25712</b>	<b>24616</b>	<b>23414</b>	<b>22093</b>	<b>20620</b>	<b>18895</b>					
5H36-100	10	1534	10.02	96	85	22165	21352	20525	19590	18597	17480	<b>16149</b>	<b>14553</b>			
5H36-100	10	1587	11.01	97	86	23031	22259	21459	20587	19676	18615	<b>17439</b>	<b>16065</b>			
5L36-150	15	1486	15.00	102	91	<b>28941</b>	<b>27956</b>	<b>26935</b>	<b>25850</b>	<b>24653</b>	<b>23357</b>	<b>21904</b>	<b>20282</b>			
5L36-150	15	1535	16.50	102	91	<b>30018</b>	<b>29069</b>	<b>28104</b>	<b>27054</b>	<b>25941</b>	<b>24753</b>	<b>23419</b>	<b>21898</b>			
5H36-150	15	1755	15.00	100	89	25756	25099	24375	23652	22860	22037	21133	20157	<b>19031</b>	<b>17775</b>	<b>16332</b>
5H36-150	15	1791	15.90	101	90	26336	25702	24993	24284	23530	22723	21884	20927	<b>19899</b>	<b>18746</b>	<b>17370</b>
5L36-200	20	1635	20.00	104	93	<b>32191</b>	<b>31324</b>	<b>30429</b>	<b>29480</b>	<b>28494</b>	<b>27417</b>	<b>26292</b>	<b>25040</b>	<b>23635</b>	<b>22161</b>	

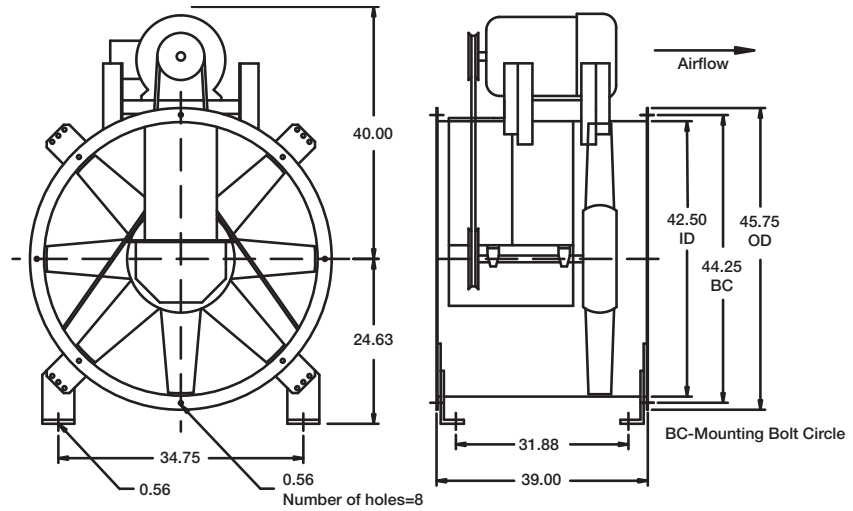
Performance shown is for installation type B: free inlet, ducted outlet. Power rating (Bhp) does not include drive losses. Performance ratings do not include the effects of appurtenances in the airstream. The sound power level ratings shown are in decibels, referred to 10<sup>-12</sup> watts calculated per AMCA Standard 301. Values shown are for inlet L<sub>wi</sub>A sound power levels for installation type B: free inlet, ducted outlet. Ratings do not include the effects of end correction.

\* Sound power values listed are at 0.50 inches pressure wg for each rpm.

\*\* dBA sound pressure values are weighted with 11.5 dB attenuation for each octave band at 5 feet. Listed sound pressure value is for each rpm at 0.50 inches wg.

Specifications	
Maximum RPM - L	1351
Maximum RPM - H	1540
Maximum Motor Frame Size	284T
Fan Tube Gauge	3/16 in.
Approx. Weight (LM)	640 lbs.
Number of blades	10
Shaft Diameter	1.6875 inches
Outlet Velocity (ft/min.)	cfm / 9.85 ft <sup>2</sup>
Tip Speed (ft/min.)	Fan RPM x 11.00

Optimum selection for propeller type shown in bold.



All dimensions are shown in inches. Shown with optional mounting brackets.

Model Number	Motor HP	Fan RPM	Max BHP	* L <sub>wi</sub> A	** dBA	Static Pressure in Inches WG / CFM										
						0.00	0.25	0.50	0.75	1.00	1.25	1.50	1.75	2.00	2.25	2.50
4H42-20	2	696	2.00	86	75	16849	14823	<b>11784</b>								
4H42-20	2	722	2.20	86	75	17479	15553	<b>12777</b>								
4L42-30	3	666	3.01	87	76	<b>22250</b>	<b>19494</b>	<b>15515</b>								
4L42-30	3	689	3.30	87	76	<b>23019</b>	<b>20379</b>	<b>16701</b>								
4H42-30	3	814	3.00	88	77	19706	18047	15926	<b>12787</b>							
4H42-30	3	819	3.31	88	77	19827	18180	16082	<b>13004</b>							
4L42-50	5	802	5.00	89	78	<b>26794</b>	<b>24618</b>	<b>21897</b>								
4L42-50	5	815	5.52	90	79	<b>27228</b>	<b>25091</b>	<b>22458</b>	<b>18966</b>							
4H42-50	5	940	5.01	91	80	22756	21363	19706	<b>17627</b>	<b>14768</b>						
4H42-50	5	974	5.51	92	81	23580	22247	20672	18776	<b>16233</b>						
4L42-75	7½	912	7.51	93	82	<b>30469</b>	<b>28592</b>	<b>26406</b>	<b>23723</b>							
4L42-75	7½	936	8.31	94	83	<b>31304</b>	<b>29486</b>	<b>27381</b>	<b>24839</b>	<b>21688</b>						
4H42-75	7½	1078	7.50	94	83	26122	24936	23592	22035	<b>20135</b>	<b>17723</b>					
4H42-75	7½	1119	8.27	95	84	27090	25947	24665	23211	21491	<b>19344</b>					
4L42-100	10	999	10.00	96	85	<b>33376</b>	<b>31692</b>	<b>29760</b>	<b>27539</b>	<b>24839</b>						
4L42-100	10	1035	11.03	97	86	<b>34578</b>	<b>32966</b>	<b>31126</b>	<b>29022</b>	<b>26546</b>						
4H42-100	10	1188	10.02	96	85	28760	27683	26501	25179	23668	<b>21883</b>	<b>19672</b>				
4H42-100	10	1232	11.01	97	86	29825	28787	27662	26419	25019	<b>23384</b>	<b>21427</b>				
4L42-150	15	1146	15.00	99	88	<b>38287</b>	<b>36840</b>	<b>35245</b>	<b>33474</b>	<b>31478</b>	<b>29153</b>					
4L42-150	15	1177	16.50	100	89	<b>39322</b>	<b>37913</b>	<b>36371</b>	<b>34669</b>	<b>32768</b>	<b>30609</b>	<b>28086</b>				
4H42-150	15	1358	15.01	100	89	32876	31934	30957	29874	28684	27378	<b>25900</b>	<b>24179</b>	<b>22124</b>		
4H42-150	15	1408	16.50	100	89	34086	33178	32254	31209	30096	28903	27525	<b>25972</b>	<b>24183</b>		
4L42-200	20	1253	20.00	101	90	<b>41861</b>	<b>40538</b>	<b>39116</b>	<b>37568</b>	<b>35866</b>	<b>33967</b>	<b>31823</b>	<b>29391</b>			
4L42-200	20	1297	22.00	102	91	<b>43331</b>	<b>42053</b>	<b>40694</b>	<b>39230</b>	<b>37633</b>	<b>35855</b>	<b>33881</b>	<b>31652</b>			
4H42-200	20	1492	20.00	102	91	36120	35262	34405	33434	32443	31322	30126	28822	<b>27310</b>	<b>25596</b>	<b>23600</b>
4H42-200	20	1540	21.80	103	92	37306	36476	35646	34723	33769	32713	31620	30361	<b>28989</b>	<b>27460</b>	<b>25707</b>
4L42-250	25	1351	25.00	103	92	<b>45136</b>	<b>43908</b>	<b>42623</b>	<b>41246</b>	<b>39721</b>	<b>38074</b>	<b>36266</b>	<b>34260</b>	<b>32015</b>		

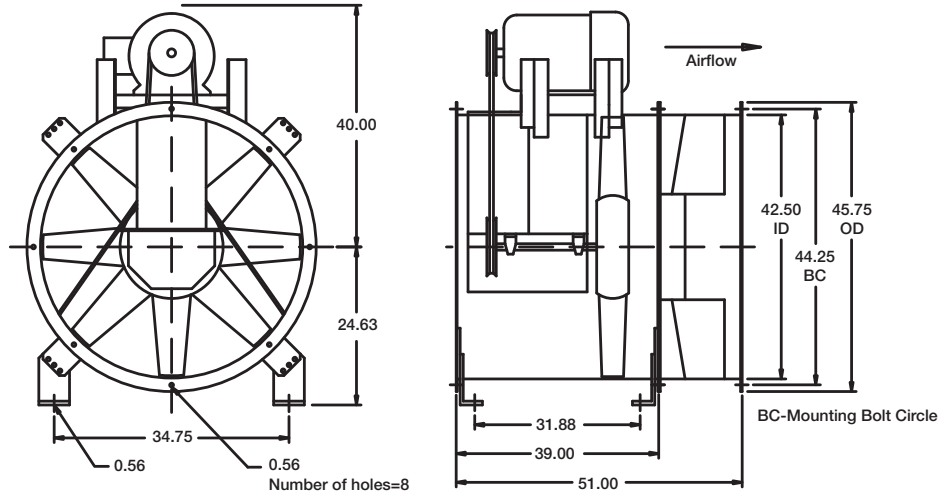
Performance shown is for installation type B: free inlet, ducted outlet. Power rating (Bhp) does not include drive losses. Performance ratings do not include the effects of appurtenances in the airstream. The sound power level ratings shown are in decibels, referred to 10<sup>-12</sup> watts calculated per AMCA Standard 301. Values shown are for inlet L<sub>wi</sub>A sound power levels for installation type B: free inlet, ducted outlet. Ratings do not include the effects of end correction.

\* Sound power values listed are at 0.50 inches pressure wg for each rpm.

\*\* dBA sound pressure values are weighted with 11.5 dB attenuation for each octave band at 5 feet. Listed sound pressure value is for each rpm at 0.50 inches wg.

Specifications	
Maximum RPM - L	1351
Maximum RPM - H	1540
Maximum Motor Frame Size	284T
Fan Tube Gauge	3/16 in.
Approx. Weight (LM)	765 lbs.
Number of blades	10
Shaft Diameter	1.6875 inches
Outlet Velocity (ft/min.)	cfm / 9.85 ft <sup>2</sup>
Tip Speed (ft/min.)	Fan RPM x 11.00

Optimum selection for propeller type shown in bold.



All dimensions are shown in inches. Shown with optional mounting brackets.

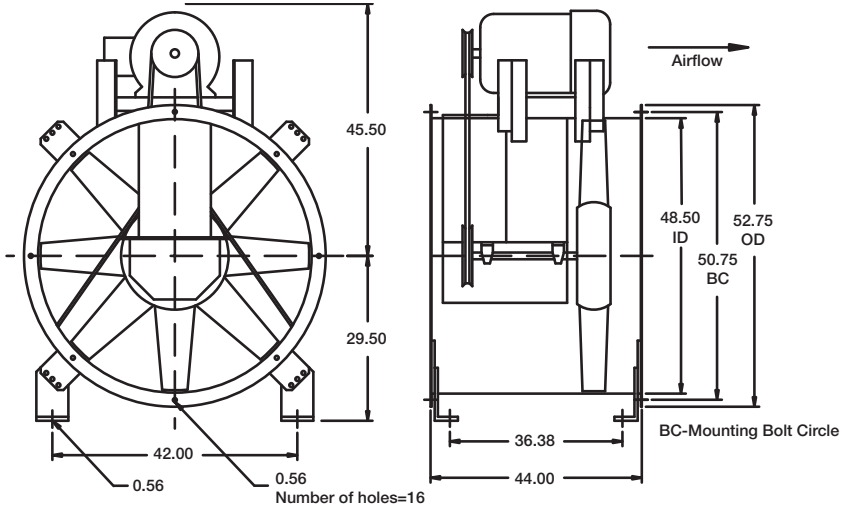
Model Number	Motor HP	Fan RPM	Max BHP	* L <sub>wi</sub> A	** dBA	Static Pressure in Inches WG / CFM										
						0.50	0.75	1.00	1.25	1.50	1.75	2.00	2.25	2.50	2.75	3.00
5L42-20	2	580	2.00	85	74	<b>12224</b>										
5L42-20	2	599	2.20	85	74	<b>13357</b>										
5H42-20	2	703	2.00	86	75	12806										
5H42-20	2	720	2.20	86	75	13391	<b>9452</b>									
5L42-30	3	670	3.00	86	75	<b>16998</b>										
5L42-30	3	694	3.31	86	75	<b>18132</b>										
5H42-30	3	795	3.00	87	76	15826	<b>13166</b>									
5H42-30	3	825	3.30	88	77	16735	<b>14357</b>									
5L42-50	5	792	5.01	89	78	<b>22320</b>	<b>19446</b>									
5L42-50	5	813	5.54	90	79	<b>23163</b>	<b>20457</b>	<b>16850</b>								
5H42-50	5	940	5.00	91	80	20070	18349	<b>16080</b>	<b>12801</b>							
5H42-50	5	968	5.50	92	81	20842	19209	17179	<b>14343</b>							
5L42-75	7½	906	7.50	93	82	<b>26823</b>	<b>24648</b>	<b>22041</b>								
5L42-75	7½	930	8.26	94	83	<b>27745</b>	<b>25676</b>	<b>23201</b>	<b>20104</b>							
5H42-75	7½	1075	7.50	94	83	23751	22423	20857	<b>18924</b>	<b>16405</b>						
5H42-75	7½	1111	8.25	95	84	24717	23463	21974	20230	<b>18084</b>	<b>15077</b>					
5L42-100	10	993	10.00	96	85	<b>30166</b>	<b>28340</b>	<b>26239</b>	<b>23703</b>	<b>20593</b>						
5L42-100	10	1024	11.02	97	86	<b>31237</b>	<b>29494</b>	<b>27504</b>	<b>25179</b>	<b>22335</b>						
5H42-100	10	1184	10.00	96	85	26660	25484	24186	22719	20979	<b>18792</b>	<b>15907</b>				
5H42-100	10	1220	11.00	97	86	27609	26470	25261	23888	22263	<b>20337</b>	<b>17931</b>				
5L42-150	15	1137	15.00	99	88	<b>35364</b>	<b>33905</b>	<b>32246</b>	<b>30409</b>	<b>28319</b>	<b>25902</b>					
5L42-150	15	1171	16.50	100	89	<b>36593</b>	<b>35177</b>	<b>33603</b>	<b>31879</b>	<b>29942</b>	<b>27713</b>	<b>25109</b>				
5H42-150	15	1353	15.00	99	88	31019	30066	29036	27915	26677	25258	<b>23671</b>	<b>21795</b>	<b>19438</b>		
5H42-150	15	1399	16.50	100	89	32189	31294	30299	29278	28081	26817	25370	<b>23684</b>	<b>21705</b>	<b>19257</b>	
5L42-200	20	1249	20.00	101	90	<b>39396</b>	<b>38068</b>	<b>36677</b>	<b>35160</b>	<b>33462</b>	<b>31588</b>	<b>29476</b>	<b>27048</b>			
5L42-200	20	1288	22.00	102	91	<b>40777</b>	<b>39502</b>	<b>38195</b>	<b>36725</b>	<b>35147</b>	<b>33436</b>	<b>31497</b>	<b>29303</b>	<b>26795</b>		
5H42-200	20	1489	20.00	102	91	34470	33680	32745	31809	30784	29659	28446	27087	<b>25533</b>	<b>23780</b>	<b>21677</b>
5H42-200	20	1540	22.00	103	92	35756	34994	34119	33214	32293	31205	30117	28839	27525	<b>25919</b>	<b>24127</b>
5L42-250	25	1344	25.02	103	92	<b>42847</b>	<b>41657</b>	<b>40426</b>	<b>39066</b>	<b>37660</b>	<b>36053</b>	<b>34329</b>	<b>32435</b>	<b>30314</b>	<b>27869</b>	

Performance shown is for installation type B: free inlet, ducted outlet. Power rating (Bhp) does not include drive losses. Performance ratings do not include the effects of appurtenances in the airstream. The sound power level ratings shown are in decibels, referred to 10<sup>-12</sup> watts calculated per AMCA Standard 301. Values shown are for inlet L<sub>wi</sub>A sound power levels for installation type B: free inlet, ducted outlet. Ratings do not include the effects of end correction.

\* Sound power values listed are at 0.50 inches pressure wg for each rpm.

\*\* dBA sound pressure values are weighted with 11.5 dB attenuation for each octave band at 5 feet. Listed sound pressure value is for each rpm at 0.50 inches wg.

Specifications	
Maximum RPM - L	1290
Maximum RPM - H	1347
Maximum Motor Frame Size	324T
Fan Tube Gauge	3/16 in.
Approx. Weight (LM)	880 lbs.
Number of blades	12
Shaft Diameter	1.9375 inches
Outlet Velocity (ft/min.)	cfm / 12.83 ft <sup>2</sup>
Tip Speed (ft/min.)	Fan RPM x 12.57



Optimum selection for propeller type shown in bold.

All dimensions are shown in inches. Shown with optional mounting brackets.

Model Number	Motor HP	Fan RPM	Max BHP	* L <sub>wi</sub> A	** dBA	Static Pressure in Inches WG / CFM										
						0.00	0.25	0.50	0.75	1.00	1.25	1.50	1.75	2.00	2.25	2.50
4L48-50	5	649	5.01	91	80	<b>31524</b>	<b>28507</b>	<b>24500</b>								
4L48-50	5	672	5.51	92	81	<b>32641</b>	<b>29762</b>	<b>26007</b>								
4H48-50	5	778	5.02	92	81	26958	25085	22841	<b>19804</b>							
4H48-50	5	807	5.50	93	82	27963	26171	24054	<b>21324</b>							
4L48-75	7½	738	7.51	94	83	<b>35847</b>	<b>33257</b>	<b>30113</b>	<b>25946</b>							
4L48-75	7½	764	8.26	95	84	<b>37110</b>	<b>34620</b>	<b>31657</b>	<b>27852</b>							
4H48-75	7½	889	7.51	96	85	30805	29213	27369	25182	<b>22355</b>						
4H48-75	7½	922	8.26	97	86	31948	30422	28683	26634	<b>24139</b>						
4L48-100	10	820	10.01	97	86	<b>39830</b>	<b>37536</b>	<b>34893</b>	<b>31656</b>							
4L48-100	10	838	11.03	98	87	<b>40704</b>	<b>38468</b>	<b>35901</b>	<b>32813</b>	<b>28868</b>						
4H48-100	10	976	10.00	98	87	33819	32378	30772	28952	<b>26763</b>	<b>24004</b>					
4H48-100	10	1012	11.00	99	88	35067	33677	32144	30424	28433	<b>25981</b>					
4L48-150	15	928	15.00	101	90	<b>45076</b>	<b>43097</b>	<b>40871</b>	<b>38316</b>	<b>35331</b>	<b>31583</b>					
4L48-150	15	960	16.50	102	91	<b>46630</b>	<b>44717</b>	<b>42607</b>	<b>40201</b>	<b>37400</b>	<b>34052</b>					
4H48-150	15	1113	15.02	102	91	38567	37303	35954	34485	32853	30964	<b>28700</b>	<b>25814</b>			
4H48-150	15	1153	16.50	102	91	39953	38733	37448	36064	34497	32745	<b>30730</b>	<b>28301</b>			
4L48-200	20	1022	20.00	104	93	<b>49642</b>	<b>47845</b>	<b>45891</b>	<b>43727</b>	<b>41287</b>	<b>38450</b>	<b>35019</b>				
4L48-200	20	1057	22.00	105	94	<b>51342</b>	<b>49604</b>	<b>47731</b>	<b>45676</b>	<b>43380</b>	<b>40763</b>	<b>37712</b>				
4H48-200	20	1228	20.00	104	93	42551	41406	40234	38934	37534	36023	34314	<b>32342</b>	<b>29999</b>		
4H48-200	20	1265	22.00	105	94	43834	42721	41600	40338	39016	37582	35957	<b>34145</b>	<b>32041</b>	<b>29460</b>	
4L48-250	25	1101	25.03	106	95	<b>53479</b>	<b>51811</b>	<b>50033</b>	<b>48107</b>	<b>45980</b>	<b>43583</b>	<b>40829</b>	<b>37601</b>			
4L48-250	25	1139	27.60	107	96	<b>55325</b>	<b>53713</b>	<b>52012</b>	<b>50190</b>	<b>48184</b>	<b>45942</b>	<b>43430</b>	<b>40528</b>			
4H48-250	25	1318	25.00	106	95	45670	44603	43535	42339	41121	39745	38281	36688	<b>34830</b>	<b>32679</b>	<b>30069</b>
4H48-250	25	1347	26.50	106	95	46675	45631	44586	43429	42244	40919	39539	37980	<b>36244</b>	<b>34272</b>	<b>31914</b>
4L48-300	30	1169	30.00	107	96	<b>56782</b>	<b>55211</b>	<b>53568</b>	<b>51823</b>	<b>49870</b>	<b>47740</b>	<b>45371</b>	<b>42684</b>	<b>39572</b>		
4L48-300	30	1209	33.00	108	97	<b>58725</b>	<b>57206</b>	<b>55636</b>	<b>53948</b>	<b>52103</b>	<b>50114</b>	<b>47929</b>	<b>45477</b>	<b>42666</b>		
4L48-400	40	1290	40.00	110	99	<b>62659</b>	<b>61236</b>	<b>59801</b>	<b>58220</b>	<b>56575</b>	<b>54803</b>	<b>52858</b>	<b>50758</b>	<b>48445</b>	<b>45840</b>	

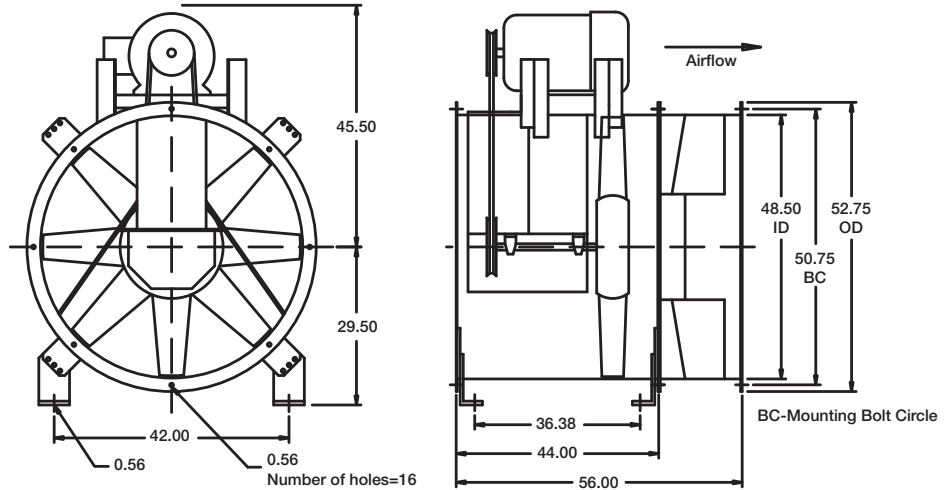
Performance shown is for installation type B: free inlet, ducted outlet. Power rating (Bhp) does not include drive losses. Performance ratings do not include the effects of appurtenances in the airstream. The sound power level ratings shown are in decibels, referred to 10<sup>-12</sup> watts calculated per AMCA Standard 301. Values shown are for inlet L<sub>wi</sub>A sound power levels for installation type B: free inlet, ducted outlet. Ratings do not include the effects of end correction.

\* Sound power values listed are at 0.50 inches pressure wg for each rpm.

\*\* dBA sound pressure values are weighted with 11.5 dB attenuation for each octave band at 5 feet. Listed sound pressure value is for each rpm at 0.50 inches wg.

Specifications	
Maximum RPM - L	1290
Maximum RPM - H	1347
Maximum Motor Frame Size	324T
Fan Tube Gauge	3/16 in.
Approx. Weight (LM)	1060 lbs.
Number of blades	12
Shaft Diameter	1.9375 inches
Outlet Velocity (ft/min.)	cfm / 12.83 ft <sup>2</sup>
Tip Speed (ft/min.)	Fan RPM x 12.57

Optimum selection for propeller type shown in bold.



All dimensions are shown in inches. Shown with optional mounting brackets.

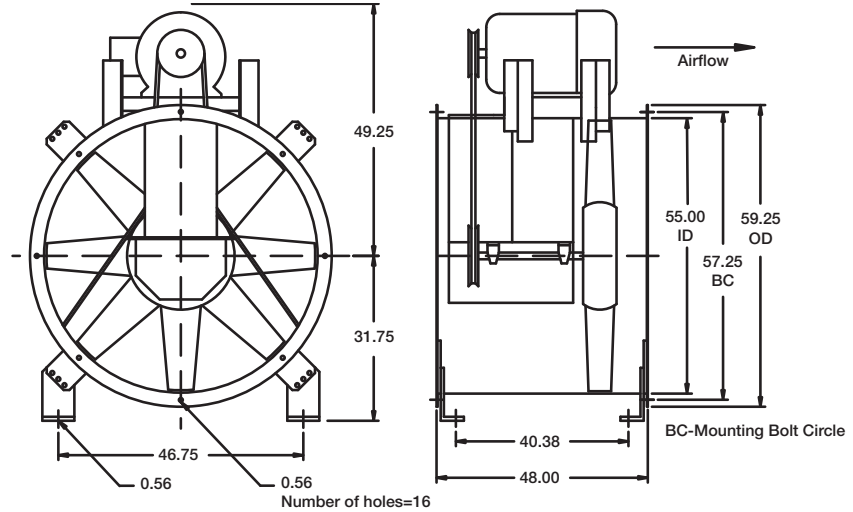
Model Number	Motor HP	Fan RPM	Max BHP	* L <sub>wi</sub> A	** dBA	Static Pressure in Inches WG / CFM										
						0.50	0.75	1.00	1.25	1.50	1.75	2.00	2.25	2.50	2.75	3.00
5L48-50	5	643	5.00	91	80	25378	20703									
5L48-50	5	664	5.50	92	81	26700	22455									
5H48-50	5	770	5.00	92	81	23016	20451	16699								
5H48-50	5	796	5.50	93	82	24086	21723	18516								
5L48-75	7½	736	7.50	94	83	30935	27775	23284								
5L48-75	7½	760	8.26	95	84	32314	29327	25376								
5H48-75	7½	883	7.50	96	85	27514	25625	23312	20220							
5H48-75	7½	912	8.27	96	85	28640	26869	24736	22002	17907						
5L48-100	10	810	10.01	97	86	35124	32499	29243	24786							
5L48-100	10	836	11.02	98	87	36539	34074	31098	27233							
5H48-100	10	972	10.00	98	87	30950	29384	27520	25308	22477						
5H48-100	10	1002	11.03	99	88	32096	30577	28828	26792	24273	20846					
5L48-150	15	928	15.00	101	90	41480	39416	37067	34295	30847						
5L48-150	15	957	16.50	102	91	43020	41069	38854	36302	33224	29190					
5H48-150	15	1112	15.00	102	91	36216	34885	33516	31872	30053	27925	25234	21486			
5H48-150	15	1146	16.50	102	91	37463	36199	34870	33343	31703	29741	27389	24411			
5L48-200	20	1021	20.00	104	93	46396	44594	42600	40400	37883	34853	31003				
5L48-200	20	1053	22.00	105	94	48072	46325	44448	42412	40068	37346	34075				
5H48-200	20	1223	20.00	104	93	40273	39149	37905	36624	35125	33527	31688	29485	26793	23181	
5H48-200	20	1261	22.00	104	93	41653	40594	39387	38180	36767	35313	33573	31670	29436	26563	
5L48-250	25	1099	25.00	106	95	50462	48797	47079	45150	43022	40648	37872	34444			
5L48-250	25	1135	27.50	107	96	52303	50719	49099	47251	45300	43125	40597	37650	34026		
5H48-250	25	1316	25.00	106	95	43644	42666	41518	40361	39116	37722	36256	34547	32628	30428	27654
5H48-250	25	1345	26.60	106	95	44691	43734	42634	41502	40342	38979	37616	35979	34280	32186	29721
5L48-300	30	1168	30.06	107	96	53986	52473	50898	49160	47345	45252	42965	40360	37227		
5L48-300	30	1206	33.10	108	97	55918	54483	52957	51341	49583	47671	45625	43215	40480	37208	
5L48-400	40	1285	40.00	110	99	59919	58632	57201	55770	54170	52520	50692	48772	46544	44108	41310

Performance shown is for installation type B: free inlet, ducted outlet. Power rating (Bhp) does not include drive losses. Performance ratings do not include the effects of appurtenances in the airstream. The sound power level ratings shown are in decibels, referred to 10<sup>-12</sup> watts calculated per AMCA Standard 301. Values shown are for inlet L<sub>wi</sub>A sound power levels for installation type B: free inlet, ducted outlet. Ratings do not include the effects of end correction.

\* Sound power values listed are at 0.50 inches pressure wg for each rpm.

\*\* dBA sound pressure values are weighted with 11.5 dB attenuation for each octave band at 5 feet. Listed sound pressure value is for each rpm at 0.50 inches wg.

Specifications	
Maximum RPM - L	1185
Maximum RPM - H	1185
Maximum Motor Frame Size	326T
Fan Tube Gauge	3/16 in.
Approx. Weight (LM)	1040 lbs.
Number of blades	12
Shaft Diameter	2.1875 inches
Outlet Velocity (ft/min.)	cfm / 16.50 ft <sup>2</sup>
Tip Speed (ft/min.)	Fan RPM x 14.14



Optimum selection for propeller type shown in bold.

All dimensions are shown in inches. Shown with optional mounting brackets.

Model Number	Motor HP	Fan RPM	Max BHP	* L <sub>wi</sub> A	** dBA	Static Pressure in Inches WG / CFM										
						0.00	0.25	0.50	0.75	1.00	1.25	1.50	1.75	2.00	2.25	2.50
4L54-50	5	551	5.02	94	83	<b>37356</b>	<b>32713</b>	<b>25884</b>								
4L54-50	5	569	5.50	94	83	<b>38576</b>	<b>34123</b>	<b>27778</b>								
4H54-50	5	672	5.13	93	82	33130	30265	26524	<b>20790</b>							
4H54-50	5	690	5.51	93	82	34017	31242	27687	<b>22469</b>							
4L54-75	7½	636	7.53	94	83	<b>43118</b>	<b>39213</b>	<b>34240</b>								
4L54-75	7½	658	8.28	95	84	<b>44610</b>	<b>40862</b>	<b>36216</b>								
4H54-75	7½	776	7.89	97	86	38257	35858	32962	<b>29268</b>	<b>24010</b>						
4H54-75	7½	789	8.26	97	86	38898	36550	33725	<b>30193</b>	<b>25226</b>						
4L54-100	10	695	10.03	97	86	<b>47118</b>	<b>43615</b>	<b>39388</b>	<b>33829</b>							
4L54-100	10	718	11.01	98	87	<b>48678</b>	<b>45314</b>	<b>41288</b>	<b>36154</b>							
4H54-100	10	848	10.02	99	88	41806	39658	37145	34098	<b>30253</b>						
4H54-100	10	868	11.04	100	89	42792	40693	38284	35376	<b>31778</b>	<b>26882</b>					
4L54-150	15	795	15.00	101	90	<b>53898</b>	<b>50906</b>	<b>47512</b>	<b>43382</b>	<b>38276</b>						
4L54-150	15	822	16.50	102	91	<b>55728</b>	<b>52835</b>	<b>49585</b>	<b>45788</b>	<b>41036</b>						
4H54-150	15	963	15.00	102	91	47476	45584	43489	41110	38330	<b>34987</b>	<b>30586</b>				
4H54-150	15	997	16.50	103	92	49152	47324	45329	43092	40513	<b>37441</b>	<b>33680</b>				
4L54-200	20	874	20.00	103	92	<b>59254</b>	<b>56533</b>	<b>53538</b>	<b>50126</b>	<b>46109</b>	<b>41223</b>					
4L54-200	20	904	22.10	104	93	<b>61288</b>	<b>58657</b>	<b>55798</b>	<b>52585</b>	<b>48835</b>	<b>44361</b>					
4H54-200	20	1061	20.00	105	94	52307	50590	48767	46773	44464	41839	<b>38769</b>	<b>34968</b>			
4H54-200	20	1098	22.40	106	95	54131	52472	50742	48814	46649	44228	<b>41432</b>	<b>38101</b>	<b>34009</b>		
4L54-250	25	945	25.00	106	95	<b>64067</b>	<b>61551</b>	<b>58866</b>	<b>55908</b>	<b>52502</b>	<b>48477</b>					
4L54-250	25	973	27.50	106	95	<b>65966</b>	<b>63521</b>	<b>60948</b>	<b>58138</b>	<b>54881</b>	<b>51170</b>	<b>46807</b>				
4H54-250	25	1144	25.00	107	96	56399	54806	53184	51334	49338	47156	<b>44641</b>	<b>41729</b>	<b>38277</b>		
4H54-250	25	1178	27.60	108	97	58075	56529	54981	53185	51307	49223	<b>46852</b>	<b>44181</b>	<b>41072</b>	<b>37327</b>	
4L54-300	30	1003	30.10	107	96	<b>67999</b>	<b>65628</b>	<b>63169</b>	<b>60443</b>	<b>57369</b>	<b>53903</b>	<b>49882</b>				
4L54-300	30	1033	33.10	108	97	<b>70033</b>	<b>67731</b>	<b>65379</b>	<b>62733</b>	<b>59833</b>	<b>56602</b>	<b>52886</b>	<b>48656</b>			
4L54-400	40	1101	40.10	109	98	<b>74643</b>	<b>72483</b>	<b>70323</b>	<b>67875</b>	<b>65346</b>	<b>62453</b>	<b>59253</b>	<b>55650</b>	<b>51661</b>		
4L54-400	40	1138	44.00	110	99	<b>77152</b>	<b>75062</b>	<b>72972</b>	<b>70649</b>	<b>68246</b>	<b>65508</b>	<b>62577</b>	<b>59322</b>	<b>55556</b>		
4L54-500	50	1185	50.10	111	100	<b>80474</b>	<b>78470</b>	<b>76467</b>	<b>74299</b>	<b>71995</b>	<b>69509</b>	<b>66825</b>	<b>63800</b>	<b>60489</b>	<b>56834</b>	

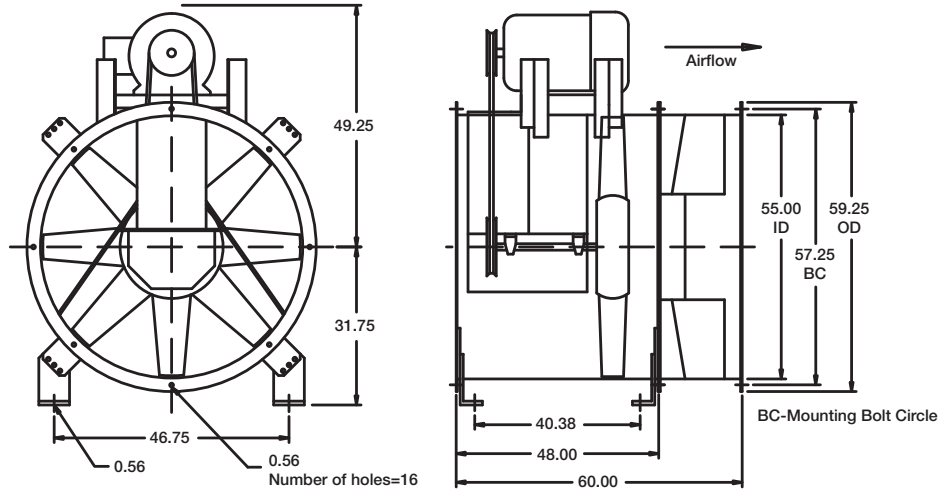
Performance shown is for installation type B: free inlet, ducted outlet. Power rating (Bhp) does not include drive losses. Performance ratings do not include the effects of appurtenances in the airstream. The sound power level ratings shown are in decibels, referred to 10<sup>-12</sup> watts calculated per AMCA Standard 301. Values shown are for inlet L<sub>wi</sub>A sound power levels for installation type B: free inlet, ducted outlet. Ratings do not include the effects of end correction.

\* Sound power values listed are at 0.50 inches pressure wg for each rpm.

\*\* dBA sound pressure values are weighted with 11.5 dB attenuation for each octave band at 5 feet. Listed sound pressure value is for each rpm at 0.50 inches wg.

Specifications	
Maximum RPM - L	1185
Maximum RPM - H	1185
Maximum Motor Frame Size	326T
Fan Tube Gauge	3/16 in.
Approx. Weight (LM)	1245 lbs.
Number of blades	12
Shaft Diameter	1.9375 inches
Outlet Velocity (ft/min.)	cfm / 16.50 ft <sup>2</sup>
Tip Speed (ft/min.)	Fan RPM x 14.14

Optimum selection for propeller type shown in bold.



All dimensions are shown in inches. Shown with optional mounting brackets.

Model Number	Motor HP	Fan RPM	Max BHP	* L <sub>wi</sub> A	** dBA	Static Pressure in Inches WG / CFM										
						0.50	0.75	1.00	1.25	1.50	1.75	2.00	2.25	2.50	2.75	3.00
5L54-50	5	553	5.02	92	81	<b>28232</b>										
5L54-50	5	572	5.52	92	81	<b>30111</b>										
5H54-50	5	670	5.00	93	82	27251	<b>22725</b>									
5H54-50	5	689	5.52	93	82	28438	<b>24327</b>	<b>17615</b>								
5L54-75	7½	631	7.50	94	83	<b>35311</b>	<b>29737</b>									
5L54-75	7½	652	8.27	95	84	<b>37112</b>	<b>32031</b>									
5H54-75	7½	766	7.50	96	85	33025	29907	<b>25588</b>								
5H54-75	7½	788	8.28	97	86	34274	31316	<b>27454</b>	<b>21835</b>							
5L54-100	10	695	10.04	97	86	<b>40616</b>	<b>36333</b>	<b>30337</b>								
5L54-100	10	717	11.00	98	87	<b>42349</b>	<b>38367</b>	<b>32974</b>								
5H54-100	10	841	10.03	99	88	37250	34652	31447	<b>27282</b>	<b>21226</b>						
5H54-100	10	867	11.03	100	89	38696	36262	33309	<b>29510</b>	<b>24374</b>						
5L54-150	15	795	15.00	101	90	<b>48395</b>	<b>45151</b>	<b>41211</b>	<b>36082</b>							
5L54-150	15	821	16.60	102	91	<b>50382</b>	<b>47344</b>	<b>43687</b>	<b>39135</b>							
5H54-150	15	962	15.00	102	91	43911	41801	39445	36718	<b>33363</b>	<b>29037</b>					
5H54-150	15	992	16.50	103	92	45531	43494	41308	38809	<b>35747</b>	<b>32013</b>	<b>27049</b>				
5L54-200	20	875	20.00	103	92	<b>54470</b>	<b>51620</b>	<b>48434</b>	<b>44701</b>	<b>40014</b>						
5L54-200	20	903	22.00	104	93	<b>56562</b>	<b>53811</b>	<b>50852</b>	<b>47472</b>	<b>43292</b>	<b>37974</b>					
5H54-200	20	1058	20.00	105	94	48996	47179	45261	43002	40521	<b>37617</b>	<b>34007</b>	<b>29390</b>			
5H54-200	20	1093	22.00	105	94	50822	49114	47257	45188	42919	40185	<b>37015</b>	<b>33148</b>	<b>28291</b>		
5L54-250	25	942	25.00	106	95	<b>59399</b>	<b>56835</b>	<b>54179</b>	<b>50977</b>	<b>47314</b>	<b>42852</b>					
5L54-250	25	973	27.50	106	95	<b>61643</b>	<b>59220</b>	<b>56657</b>	<b>53692</b>	<b>50407</b>	<b>46488</b>	<b>41606</b>				
5H54-250	25	1140	25.00	107	96	53266	51695	49915	48086	45911	43570	<b>40875</b>	<b>37610</b>	<b>33705</b>	<b>28897</b>	
5H54-250	25	1176	27.50	107	96	55130	53660	51934	50208	48173	46065	43507	<b>40675</b>	<b>37348</b>	<b>33251</b>	
5L54-300	30	1001	30.00	107	96	<b>63662</b>	<b>61361</b>	<b>58870</b>	<b>56116</b>	<b>53103</b>	<b>49441</b>	<b>45094</b>				
5L54-300	30	1034	33.00	108	97	<b>66034</b>	<b>63868</b>	<b>61457</b>	<b>58943</b>	<b>56027</b>	<b>52760</b>	<b>48979</b>	<b>44390</b>			
5L54-400	40	1102	40.00	109	98	<b>70895</b>	<b>68987</b>	<b>66728</b>	<b>64465</b>	<b>61942</b>	<b>59205</b>	<b>56064</b>	<b>52564</b>	<b>48367</b>		
5L54-400	40	1138	44.00	110	99	<b>73456</b>	<b>71608</b>	<b>69490</b>	<b>67299</b>	<b>65021</b>	<b>62371</b>	<b>59633</b>	<b>56362</b>	<b>52646</b>	<b>48399</b>	
5L54-500	50	1185	50.00	111	100	<b>76931</b>	<b>75159</b>	<b>73221</b>	<b>71121</b>	<b>69020</b>	<b>66621</b>	<b>64081</b>	<b>61272</b>	<b>58136</b>	<b>54444</b>	<b>50340</b>

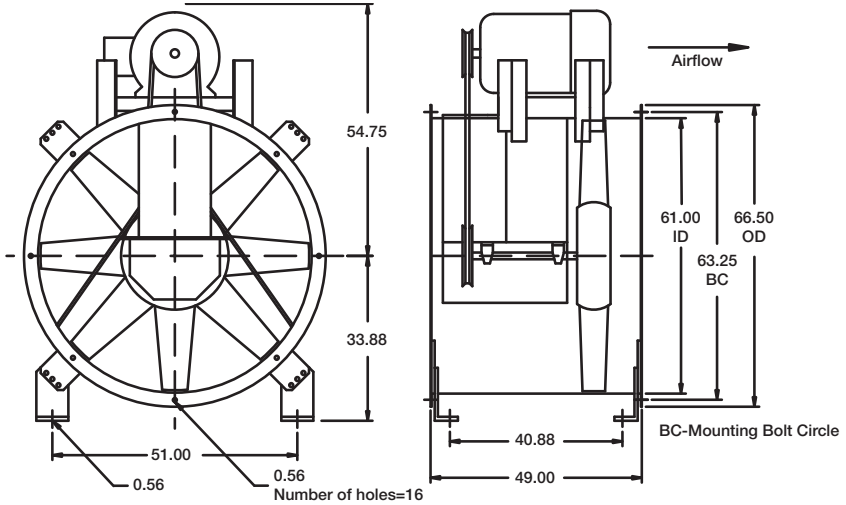
Performance shown is for installation type B: free inlet, ducted outlet. Power rating (Bhp) does not include drive losses. Performance ratings do not include the effects of appurtenances in the airstream. The sound power level ratings shown are in decibels, referred to 10<sup>-12</sup> watts calculated per AMCA Standard 301. Values shown are for inlet L<sub>wi</sub>A sound power levels for installation type B: free inlet, ducted outlet. Ratings do not include the effects of end correction.

\* Sound power values listed are at 0.50 inches pressure wg for each rpm.

\*\* dBA sound pressure values are weighted with 11.5 dB attenuation for each octave band at 5 feet. Listed sound pressure value is for each rpm at 0.50 inches wg.

Specifications	
Maximum RPM - L	1071
Maximum RPM - H	1071
Maximum Motor Frame Size	364T
Fan Tube Gauge	1/4 in.
Approx. Weight (LM)	1430 lbs.
Number of blades	14
Shaft Diameter	2.1875 inches
Outlet Velocity (ft/min.)	cfm / 20.30 ft <sup>2</sup>
Tip Speed (ft/min.)	Fan RPM x 15.71

Optimum selection for propeller type shown in bold.



All dimensions are shown in inches. Shown with optional mounting brackets.

Model Number	Motor HP	Fan RPM	Max BHP	* L <sub>wi</sub> A	** dBA	Static Pressure in Inches WG / CFM										
						0.00	0.25	0.50	0.75	1.00	1.25	1.50	1.75	2.00	2.25	2.50
4L60-75	7½	536	7.54	92	81	<b>48063</b>	<b>42921</b>	<b>35576</b>								
4L60-75	7½	554	8.29	92	81	<b>49677</b>	<b>44729</b>	<b>37919</b>								
4H60-75	7½	642	7.50	92	81	41958	38786	34629	<b>29081</b>							
4H60-75	7½	667	8.28	93	82	43592	40562	36677	<b>31575</b>							
4L60-100	10	592	10.01	93	82	<b>53085</b>	<b>48509</b>	<b>42633</b>								
4L60-100	10	613	11.05	94	83	<b>54968</b>	<b>50580</b>	<b>45091</b>								
4H60-100	10	718	10.02	95	84	46925	44155	40777	<b>36421</b>							
4H60-100	10	742	11.58	96	85	48493	45835	42613	<b>38565</b>	<b>33649</b>						
4L60-150	15	676	15.01	97	86	<b>60617</b>	<b>56728</b>	<b>52081</b>	<b>46117</b>							
4L60-150	15	698	16.50	98	87	<b>62590</b>	<b>58856</b>	<b>54423</b>	<b>48939</b>							
4H60-150	15	821	15.00	99	88	53656	51321	48559	45253	<b>41304</b>						
4H60-150	15	836	16.50	99	88	54637	52343	49673	46469	<b>42693</b>	<b>38266</b>					
4L60-200	20	742	20.00	100	89	<b>66535</b>	<b>63056</b>	<b>59051</b>	<b>54203</b>	<b>48125</b>						
4L60-200	20	767	22.00	101	90	<b>68777</b>	<b>65411</b>	<b>61603</b>	<b>57106</b>	<b>51488</b>						
4H60-200	20	901	20.00	101	90	58885	56756	54359	51598	48383	<b>44595</b>					
4H60-200	20	921	22.00	102	91	60192	58110	55782	53120	50048	<b>46468</b>	<b>42440</b>				
4L60-250	25	802	25.10	102	91	<b>71915</b>	<b>68696</b>	<b>65106</b>	<b>61001</b>	<b>56003</b>						
4L60-250	25	825	27.60	103	92	<b>73978</b>	<b>70849</b>	<b>67392</b>	<b>63473</b>	<b>58848</b>	<b>53176</b>					
4H60-250	25	968	25.00	103	92	63264	61282	59110	56668	53873	<b>50673</b>	<b>47056</b>				
4H60-250	25	992	27.50	104	93	64832	62899	60801	58464	55804	<b>52766</b>	<b>49322</b>	<b>45560</b>			
4L60-300	30	850	30.00	104	93	<b>76220</b>	<b>73182</b>	<b>69865</b>	<b>66138</b>	<b>61794</b>	<b>56582</b>					
4L60-300	30	879	33.10	105	94	<b>78820</b>	<b>75883</b>	<b>72718</b>	<b>69203</b>	<b>65171</b>	<b>60348</b>					
4H60-300	30	1026	30.10	105	94	67054	65185	63188	60994	58480	55651	<b>52476</b>	<b>48936</b>			
4H60-300	30	1053	33.00	105	94	68819	66998	65076	62962	60541	57860	<b>54861</b>	<b>51531</b>	<b>47954</b>		
4L60-400	40	936	40.00	106	95	<b>83931</b>	<b>81173</b>	<b>78284</b>	<b>75108</b>	<b>71507</b>	<b>67404</b>	<b>62619</b>				
4L60-400	40	964	44.00	107	96	<b>86442</b>	<b>83764</b>	<b>81000</b>	<b>77917</b>	<b>74507</b>	<b>70685</b>	<b>66250</b>	<b>61240</b>			
4L60-500	50	1008	50.00	108	97	<b>90387</b>	<b>87826</b>	<b>85248</b>	<b>82299</b>	<b>79173</b>	<b>75772</b>	<b>71787</b>	<b>67245</b>			
4L60-500	50	1039	55.00	109	98	<b>93167</b>	<b>90682</b>	<b>88198</b>	<b>85366</b>	<b>82429</b>	<b>79142</b>	<b>75444</b>	<b>71270</b>	<b>66636</b>		
4L60-600	60	1071	60.10	110	99	<b>96037</b>	<b>93626</b>	<b>91216</b>	<b>88516</b>	<b>85741</b>	<b>82577</b>	<b>79175</b>	<b>75365</b>	<b>71016</b>		

Performance shown is for installation type B: free inlet, ducted outlet. Power rating (Bhp) does not include drive losses. Performance ratings do not include the effects of appurtenances in the airstream. The sound power level ratings shown are in decibels, referred to 10<sup>-12</sup> watts calculated per AMCA Standard 301. Values shown are for inlet L<sub>wi</sub>A sound power levels for installation type B: free inlet, ducted outlet. Ratings do not include the effects of end correction.

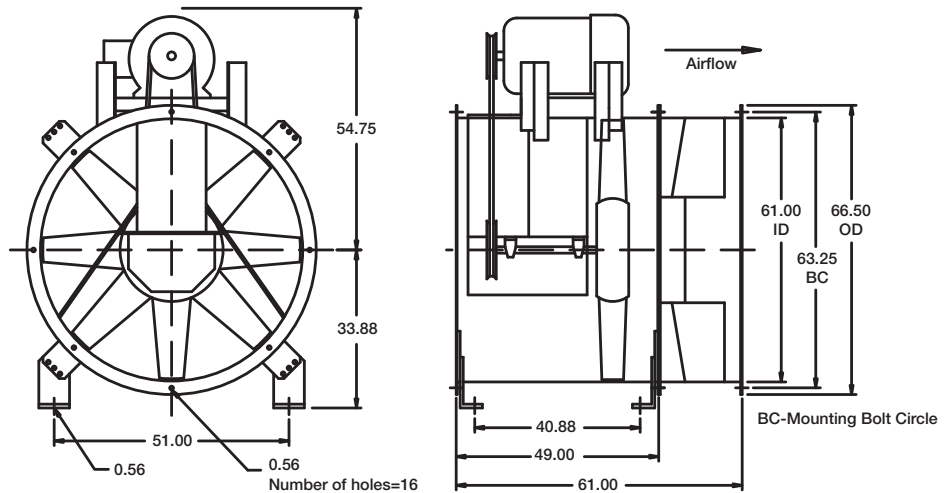
\* Sound power values listed are at 0.50 inches pressure wg for each rpm.

\*\* dBA sound pressure values are weighted with 11.5 dB attenuation for each octave band at 5 feet. Listed sound pressure value is for each rpm at 0.50 inches wg.



Specifications	
Maximum RPM - L	1071
Maximum RPM - H	1071
Maximum Motor Frame Size	364T
Fan Tube Gauge	1/4 in.
Approx. Weight (LM)	1685 lbs.
Number of blades	14
Shaft Diameter	2.1875 inches
Outlet Velocity (ft/min.)	cfm / 20.30 ft <sup>2</sup>
Tip Speed (ft/min.)	Fan RPM x 15.71

Optimum selection for propeller type shown in bold.



All dimensions are shown in inches. Shown with optional mounting brackets.

Model Number	Motor HP	Fan RPM	Max BHP	* L <sub>wi</sub> A	** dBA	Static Pressure in Inches WG / CFM											
						0.50	0.75	1.00	1.25	1.50	1.75	2.00	2.25	2.50	2.75	3.00	
5L60-75	7½	537	7.54	91	80	<b>38032</b>											
5L60-75	7½	553	8.29	92	81	<b>39994</b>	<b>31768</b>										
5H60-75	7½	648	7.51	92	81	36054	<b>31476</b>										
5H60-75	7½	657	8.25	93	82	36765	<b>32330</b>	<b>26974</b>									
5L60-100	10	589	10.01	93	82	<b>44061</b>	<b>37476</b>										
5L60-100	10	608	11.05	94	83	<b>46174</b>	<b>40220</b>										
5H60-100	10	708	10.01	94	83	40744	36991	<b>32341</b>									
5H60-100	10	734	11.54	95	84	42743	39229	<b>34967</b>	<b>30098</b>								
5L60-150	15	674	15.01	98	87	<b>53212</b>	<b>48601</b>	<b>42379</b>									
5L60-150	15	696	16.50	98	87	<b>55461</b>	<b>51110</b>	<b>45573</b>									
5H60-150	15	804	15.20	98	87	47879	44976	41536	<b>37421</b>	<b>32965</b>							
5H60-150	15	831	16.50	99	88	49831	47095	43877	<b>40105</b>	<b>35855</b>							
5L60-200	20	742	20.00	100	89	<b>60115</b>	<b>56258</b>	<b>51601</b>	<b>45681</b>								
5L60-200	20	766	22.00	101	90	<b>62520</b>	<b>58903</b>	<b>54602</b>	<b>49196</b>								
5H60-200	20	884	20.00	101	90	53633	51202	48389	45093	<b>41322</b>	<b>37282</b>						
5H60-200	20	918	22.00	102	91	56054	53772	51114	48099	<b>44665</b>	<b>40876</b>						
5L60-250	25	800	25.00	102	91	<b>65904</b>	<b>62547</b>	<b>58601</b>	<b>53936</b>	<b>47954</b>							
5L60-250	25	825	27.50	103	92	<b>68377</b>	<b>65122</b>	<b>61419</b>	<b>57114</b>	<b>51834</b>							
5H60-250	25	954	25.00	103	92	58603	56407	53946	51191	48058	<b>44549</b>	<b>40812</b>					
5H60-250	25	984	27.80	104	93	60718	58589	56284	53735	50811	<b>47524</b>	<b>43968</b>	<b>40298</b>				
5L60-300	30	850	30.10	104	93	<b>70838</b>	<b>67678</b>	<b>64209</b>	<b>60249</b>	<b>55466</b>	<b>49422</b>						
5L60-300	30	877	33.10	105	94	<b>73459</b>	<b>70421</b>	<b>67192</b>	<b>63536</b>	<b>59167</b>	<b>53911</b>						
5H60-300	30	1014	30.00	104	93	62810	60759	58603	56168	53414	50368	<b>47032</b>	<b>43514</b>				
5H60-300	30	1043	33.10	105	94	64802	62846	60828	58461	55902	53079	<b>49947</b>	<b>46564</b>	<b>43102</b>			
5L60-400	40	935	40.10	106	95	<b>78981</b>	<b>76256</b>	<b>73383</b>	<b>70081</b>	<b>66481</b>	<b>62332</b>	<b>57249</b>					
5L60-400	40	965	44.00	107	96	<b>81823</b>	<b>79247</b>	<b>76464</b>	<b>73413</b>	<b>70090</b>	<b>66167</b>	<b>61659</b>	<b>56240</b>				
5L60-500	50	1007	50.20	108	97	<b>85785</b>	<b>83408</b>	<b>80741</b>	<b>78024</b>	<b>74840</b>	<b>71445</b>	<b>67593</b>	<b>62982</b>	<b>57551</b>			
5L60-600	50	1040	55.20	109	98	<b>88887</b>	<b>86657</b>	<b>84075</b>	<b>81492</b>	<b>78525</b>	<b>75442</b>	<b>71796</b>	<b>67783</b>	<b>63113</b>			
5L60-600	60	1070	60.00	110	99	<b>91700</b>	<b>89576</b>	<b>87087</b>	<b>84577</b>	<b>81842</b>	<b>78845</b>	<b>75564</b>	<b>71939</b>	<b>67639</b>	<b>62709</b>		

Performance shown is for installation type B: free inlet, ducted outlet. Power rating (Bhp) does not include drive losses. Performance ratings do not include the effects of appurtenances in the airstream. The sound power level ratings shown are in decibels, referred to 10<sup>-12</sup> watts calculated per AMCA Standard 301. Values shown are for inlet L<sub>wi</sub>A sound power levels for installation type B: free inlet, ducted outlet. Ratings do not include the effects of end correction.

\* Sound power values listed are at 0.50 inches pressure wg for each rpm.

\*\* dBA sound pressure values are weighted with 11.5 dB attenuation for each octave band at 5 feet. Listed sound pressure value is for each rpm at 0.50 inches wg.

Greenheck has the most complete offering of inline axial products designed for handling a wide range of volumetric flow requirements and applications. The following chart shows Greenheck's axial product hierarchy.

## Low Pressure Inline - Up to 1.25 inches wg (312 Pa)



### TDI

- Direct drive for low maintenance
- Cast aluminum airfoil blades
- Adjustable blade pitch
- Clean air applications
- Sizes 18-48 inch



### TBI-CA Level 3

- Belt drive for performance adjustment
- Easy to service
- Cast aluminum airfoil blades
- Clean air or spark resistant applications
- Sizes 18-60 inch



### TBI-FS Level 3

- Belt drive for performance adjustment
- Easy to service
- Fabricated steel propeller
- Clean air or high temperature process applications
- Emergency smoke applications
- Sizes 24-54 inches

## Medium Pressure Inline - Up to 3.5 inches wg (875 Pa)



### AX

- Direct drive for low maintenance
- Cast aluminum airfoil blades
- Adjustable blade pitch
- Clean air or emergency smoke applications
- Sizes 12-63 inch



### TBI-CA Level 4/5

- Belt drive for performance adjustment
- Easy to service
- Cast aluminum airfoil blades
- Clean air or spark resistant applications
- Sizes 18-60 inch



### TBI-FS Level 4/5

- Belt drive for performance adjustment
- Easy to service
- Fabricated steel propeller
- Clean air or high temperature process applications
- Emergency smoke applications
- Sizes 24-54 inch



### High Pressure Inline - Up to 9 inches wg (2250 Pa)



#### VAD

- Direct drive for low maintenance
- Cast aluminum airfoil blades and hub
- Adjustable blade pitch
- Clean air applications
- Sizes 18-72 inch



#### VAB

- Belt drive for performance adjustment
- Cast aluminum airfoil blades and hub
- Clean air or spark resistant applications
- Sizes 18-72 inch

### Roof Upblast Construction - Up to 4 inches wg (1000 Pa)



#### Low Pressure

##### TAUD

- Cast aluminum propeller
- Direct drive for low maintenance
- Sizes 18-48 inch
- Up to 1 inch wg (250 Pa)

##### TAUB-CA

- Cast aluminum propeller
- Belt drive for performance adjustment
- Sizes 18-60 inch
- Up to 1 inch wg (250 Pa)

##### TAUB

- Steel propeller
- Belt drive for performance adjustment
- Sizes 24-60 inch
- Up to 1 inch wg (250 Pa)

#### Medium Pressure

##### AX (Roof Upblast)

- Cast aluminum propeller
- Direct drive for low maintenance
- Sizes 12-63 inch
- Up to 4 inches wg (1000 Pa)

##### TBI-CA (Roof Upblast)

- Cast aluminum propeller
- Belt drive for performance adjustment
- Sizes 18-60 inch
- Up to 3 inches wg (750 Pa)

##### TBI-FS (Roof Upblast)

- Steel propeller
- Belt drive for performance adjustment
- Sizes 24-54 inch
- Up to 4 inches wg (1000 Pa)

# Specifications

## Tube Axial Specification - TBI-CA Level 4 and 5

Inline fans shall be of the axial type with cast aluminum airfoil propellers.

The housing shall be constructed of continuously welded steel and include integral punched inlet and outlet flanges to prevent air leakage. The housing, bearing support and motor base shall be constructed of structural members to prevent vibration and rigidly support the shaft, bearings, and motor.

Blades shall be airfoil design. Hub and blades shall be heat treated cast aluminum alloy A365-T6 with hub blade bases and sockets precision machined. Propeller hub is a single piece casting with a minimum of eight blades. Rotor blade pitch shall be manually adjustable within horsepower limitations. Rotors to be statically and dynamically balanced. A standard square key or tapered bushing shall lock the rotor to the fan shaft. Blades shall be attached to the hub with steel studs.

Steel housings and structural components to be coated with Permatector™, an electrostatically applied thermosetting polyester urethane. Minimum coating thickness to be 2 mils.

Fan performance shall be based on tests conducted in accordance with AMCA Standard 210.

Fan shall be model TBI-CA as manufactured by Greenheck Fan Corporation of Schofield, Wisconsin.

## Additional Belt Drive Specification

Bearings shall be cast iron pillow block, grease lubricated and self-aligning. Bearings shall be Air Handling Quality and tested for reduced swivel torque, bore size, noise, and vibration. Bearings shall be selected for an L<sub>10</sub> life, per ABMA standards, in excess of 80,000 hours for horizontal applications (equal to L<sub>50</sub> 400,000) or L<sub>10</sub> life of 40,000 hours for vertical applications (equal to L<sub>50</sub> 200,000).

Turned, precision ground and polished steel shafts shall be sized so the first critical speed is at least 25% over the maximum operating speed for each level of construction.

## Additional Level 5 Specification

Bolt-on straightening vane section to be fastened to outlet flange. Vanes shall be welded to inner diameter of bolt-on section. Minimum of seven blades constructed of at least 10 gauge material to be used.



## Building Value in Air

Greenheck delivers value to mechanical engineers by helping them solve virtually any air quality challenges their clients face with a comprehensive selection of

top quality, innovative air-related equipment. We offer extra value to contractors by providing easy-to-install, competitively priced, reliable products that arrive on time.

And building owners and occupants value the energy efficiency, low maintenance and quiet dependable operation they experience long after the construction project ends.

## Our Commitment

*As a result of our commitment to continuous improvement, Greenheck reserves the right to change specifications without notice.*

Specific Greenheck product warranties are located on [greenheck.com](http://greenheck.com) within the product area tabs and in the Library under Warranties.



Prepared to Support Green Building Efforts

