

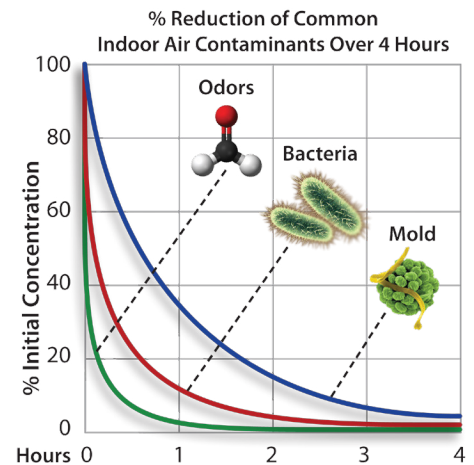
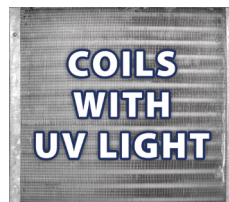
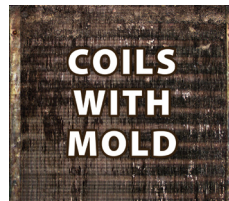


# UV Light Disinfection for Healthcare Applications

Fresh-Aire UV is recognized the world over as a leader in the areas of UV light disinfection for HVAC and ice machine applications.

## HVAC & Surface Disinfection

- Highly effective at reducing HAls
- 99.9% disinfection of Cooling Coils and Drain Pans, Airborne Virus and Bacteria disinfection
- Dramatic maintenance savings by reducing need for coil and drain pan cleaning
- Guaranteed Energy Savings by keeping coil clean
- Improves Indoor Air Quality
- Proven Return on Investment of 1 year or less
- Healthier patients and employees
- Reduce odor-causing VOCs



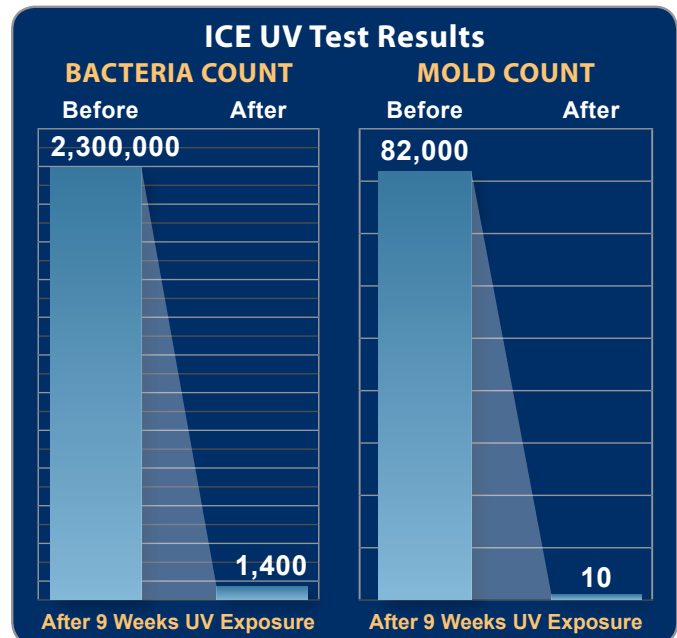
## ICE Machines

The Original Germicidal UV Light for Ice Machines

- Saves money on ice machine maintenance
- Reduces microbial contamination 99.9%
- Reduces health risks from dirty ice
- Kills Mold, E. Coli, Legionella, etc.
- Cost of ICE UV = 1 Cleaning
- Guaranteed ROI less than 1 year

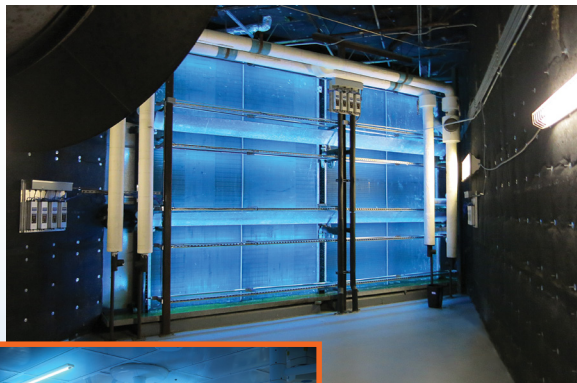
## UV Replacement Lamps

For all manufacturers lengths from 6" to 60"





# Commercial HVAC Products



**Standard UVLight System (TUVC)**  
L-brackets or panel mount for easy installation.



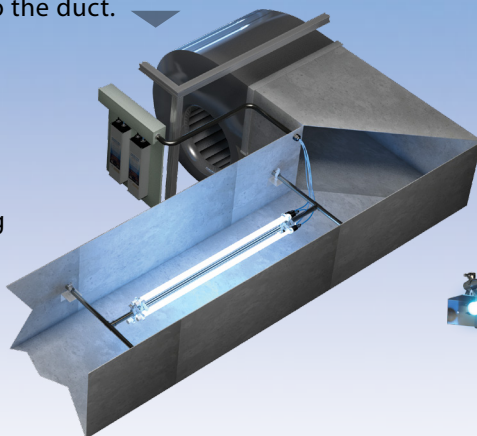
**Tubular Rack System (TUVC-TRS)**  
Mounts using 1/2" EMT tubing for cost-effective, flexible installations.



**Airborne Duct System (TUVC ADS)**  
High output lamps for maximum airborne kill. Mounts In-line with, or perpendicular to the duct.

**APCO® Rack System (TUVC-APCO)**  
Our most advanced system. Award-winning APCO® technology fights odors and VOCs. Normal or high output lamps (for duct mounting).

**Room Surfaces (TUVC-ESDS)**  
A convenient fixture featuring one or two 32" high output lamps for sterilizing unoccupied spaces like ORs. Safety interlock switch prevents accidental exposure.



## UV for Ice Machines

ICE UV works around the clock, killing germs and saving money on ice machine maintenance. Ice UV is easy to install and fits in nearly all ice makers. Multiple lamps and larger sizes are available.

- Saves money on maintenance
- Cleans ice machine 24/7
- Effective for mold, bacteria & viruses
- Reduces health risks from dirty ice
- Cleaner, clearer ice



### OTHER APPLICATIONS

Fresh-Aire UV® offers UV light disinfection products for all types of HVAC systems including furnaces, air handlers, package units, PTACs, Fancoils, & Minisplits



© 2016



## Technical distributors

MECHANICAL AND ELECTRICAL SUPPLIERS  
T. 787-274-1818 / F. 787-274-1950  
www.tech-dist.com / techdist@tech-dist.com

TUVC-MM-MED 7.8.16

Made in USA

