



SPECIAL APPLICATION GAUGES

Series PT-1088 Combination Pressure and Temperature Gauges

DESCRIPTION

U.S. Gauge Series PT-1088 boiler gauges are designed for low cost, reliable pressure and temperature measurement in a wide range of applications. These utility gauges are specially constructed to withstand conditions normally encountered in domestic hot water heating systems.

The 2-1/2" gauge size is ideal for installations where mounting space is limited. Ranges are 0-75 through 0-200 psi pressure, with temperature ranges from 60°F to 320°F; temperature accuracy is rated to ±3% of span. Series PT-1088 gauges are constructed with a brass socket connection and movement.

SPECIFICATIONS

SIZES: 2-1/2"

RANGES: 1/4-18 CBM – 75 psi (500 kPa) and 60°F to 320°F (20°C to 160°C)

TEMPERATURE RANGE: 60°F to 320°F (20°C to 160°C)

ACCURACY:

Pressure – ±3-2-3% of span (Grade B)

Temperature – ±3% of span

TEMPERATURE ELEMENT: Helical bimetallic element enclosed in a brass bulb

WINDOW AND RING: Polycarbonate window with chrome plated steel ring

DIAL: Steel, white background with black markings

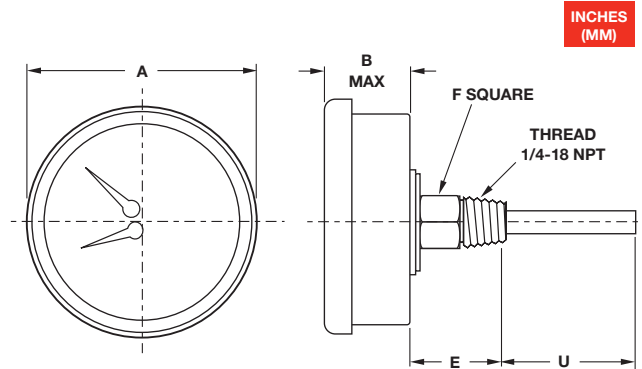
CASE: Black paint

CONNECTIONS: 1/4-18 NPT CBM

SOCKET: Brass



Model PT-1088



| Dimensions | | | | | | | |
|------------|--------|---------------------------|------|------|------|------|------|
| Model | Unit | Dial Size | ØA | B | E | F | U |
| PT-1088 | inches | 2-1/2" CBM short shank | 2.84 | 1.20 | 0.87 | 0.62 | 1.61 |
| | mm | | 72.1 | 30.5 | 22.1 | 15.8 | 40.9 |
| PT-1088 | inches | 2-1/2" CBM long shank | 2.84 | 1.20 | 2.01 | 0.62 | 1.61 |
| | mm | | 72.1 | 30.5 | 51.1 | 15.8 | 40.9 |

| Spec Number Selection Chart | | | |
|-----------------------------|---------------------|---------------------|-------------------------|
| Model Number | Range | Socket Shank Length | 1/4-18 NPT CBM Spec No. |
| PT-1088 | 75 psi / 60°F-320°F | 0.87" | 199960 |
| PT-1088 | 75 psi / 60°F-320°F | 2.01" | 199961 |