

PURE 3 GENERATOR



PureLine's Pure 3 generator line combines affordability with optimal efficiency and safety. Utilizing three precursors (sodium chlorite, sodium hypochlorite, and hydrochloric acid), the Pure3 system gives our customers the best in high efficiency, medium to high volume, and safe generation. With low maintenance cost and reliable operation, the Pure 3 system can be built with a simple frame configuration or with a fully enclosed cabinet.

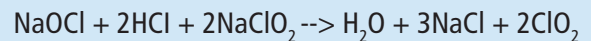
The Pure 3 like all of our lines are designed with the customer's needs in mind. Capable of multiple dosing methods (flow, residual, timer, etc), these generators can be configured to offer remote monitoring and production tracking. Producing ClO₂ on demand, there is no need for bulk storage of solution. With an inherently safe design and multiple safety interlocks, the Pure 3 system offers our customers a high level of value for their investment.

Pure Advantages

- Affordable, high efficiency system.
- Low maintenance cost.
- Enhanced monitoring and control capabilities.
- Multiple safety interlocks.
- Enhanced chemical feed control to maximize efficiency and safety.
- Broad production range (<1 lb to > 100 lbs per day)

PureLine
**PURE
3**

Reaction Chemistry

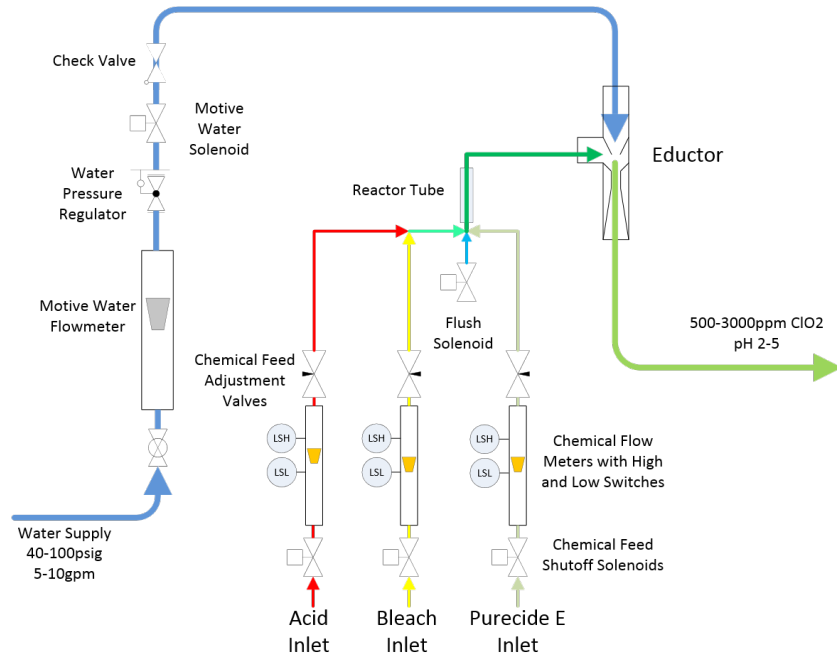


Specifications

Capacity:	<1lb to 100lbs per day
Chemical Usage:	Pure-3 Generation <ul style="list-style-type: none"> • Purecide E — 4.65lbs/lb ClO₂ • 15% HCl — 4.7lbs/lb ClO₂ • 15% NaOCl — 3.7 lbs/lb ClO₂
Electrical Power:	220VAC 1ph 30A service (60A for larger units requiring a ClO ₂ pump)
Inlet Water:	20 Mesh filtered water. <ul style="list-style-type: none"> • >50 psi (with less than 10 psi variability) • 5 – 30gpm depending on capacity
Controls:	Programmable Relay (Optional PLC and HMI) <ul style="list-style-type: none"> • Alarm / Run Status / Remote Start / Stop / Manual Controls
Cabinet: (optional)	White Polypropylene 3 compartment (generator, electrical and acid pump)
Dimensions:	Base Model 38" x16" x42"
Weight:	75 lbs

Co-Products:

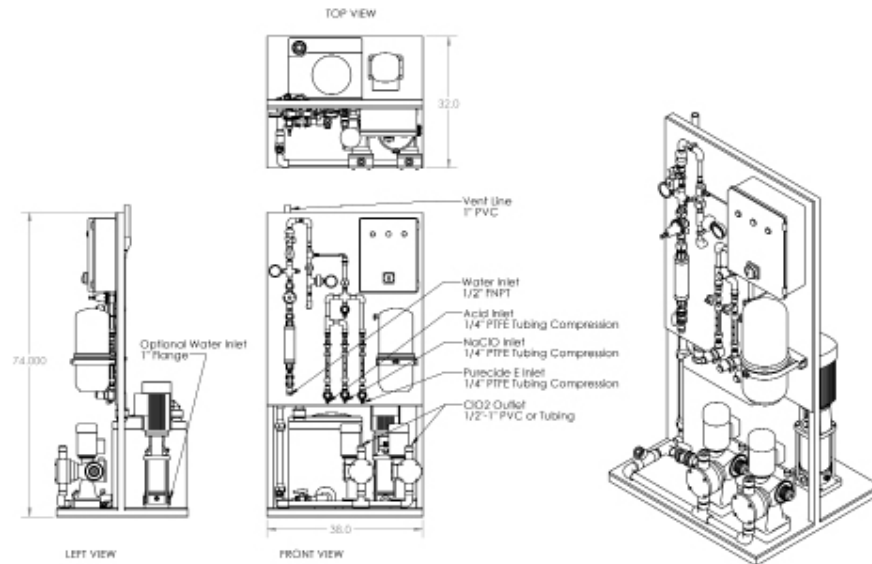
- Salt (NaCl ~1.5lb/lb ClO₂)
- Excess HCl <1lb/lb ClO₂



▲ Process Flow Diagram

▼ CG-Series Electrochemical Generator

<1 lb to 100 lbs/day



Experts in the generation and application of chlorine dioxide

Pureline offers a complete line of chlorine dioxide products, solutions and accessories.



PureLine

847 963 8475

info@pureline.com

1241 N. Ellis Street
Bensenville, IL 60106

pureline.com