



UL/cUL 705 Power Ventilators
E40001 - RBU, RBUMO and RDU
UL/cUL Power Ventilators for Smoke
Control Systems - MH17511 - RBUMO



Model RDU, RBU and RBUMO are AMCA Licensed for
Sound and Air Performance

**Best
Available
Program**

5 Days

Model RDU Direct Drive and RBU, RBUMO Belt Drive

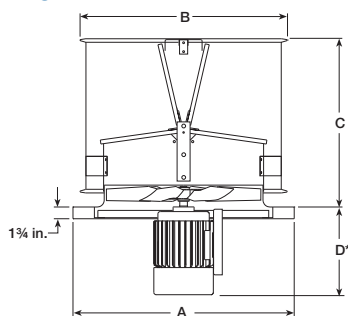
Axial upblast fans are designed to discharge high volumes of clean or contaminated air up and away from the building.

Quick Build Performance

RDU capacities range from 3,175 to 37,850 cfm and 0.75 in. wg of static pressure. RBU capacities range from 3,500 to 58,475 cfm and 1 in. wg of static pressure. RBUMO capacities range from 3,300 to 55,175 cfm and 1 in. wg of static pressure.

Standard Construction	RDU	RBU	RBUMO	
Housing - galvanized steel with fully-assembled butterfly dampers and damper stops	■	■	■	
Curb cap and drive assembly <ul style="list-style-type: none"> • sizes 18 through 48 - galvanized steel • sizes 54 and 60 - painted steel 	■	■	■	
Propeller - aluminum	■			
Propeller - fabricated steel		■	■	
Corrosion-resistant fasteners	■	■	■	
Ball bearing motor - 1/4 hp and larger	■	■	■	
Relubricatable bearings		■	■	
Variable pitched motor pulley		■	■	
Options and Accessories	Stock	RDU	RBU	RBUMO
Roof curb	✓	■	■	■
Roof curb accessories - seals, adaptors, extensions		■	■	■
Guards - inlet, outlet		■	■	■
Propeller - aluminum			■	■
Butterfly dampers - aluminum		■	■	■
Magnetic damper latches		■	■	■
Motorized damper lifters		■	■	■
Fusible link damper lifters		■	■	■
Tie-down points		■	■	■
NEMA rated disconnect switch		■	■	■
Lube lines			■	■
Dual drives			■	■
Belt tube				■
Decorative or protective powder coating		■	■	■
Certified for seismic applications				■
High temperature option				■
UL/cUL Listed Power Ventilators		■	■	■
UL/cUL Listed Power Ventilators for Smoke Control Systems				■

RDU

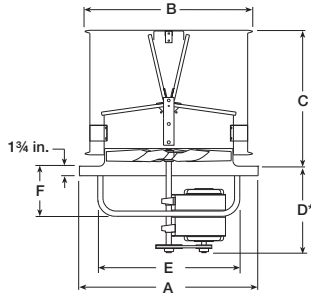


Dimensions for RDU

Model Size	A Curb Cap ID	B	C	D*	Recommended Roof Opening
18	28	25	22	8 ³ / ₈	24 ¹ / ₂
20	30	27 ¹ / ₄	24	9 ¹ / ₄	26 ¹ / ₂
24	34	31 ¹ / ₈	26	13 ¹ / ₂	30 ¹ / ₂
30	40	37 ³ / ₈	30	13 ³ / ₈	36 ¹ / ₂
36	46	43 ¹ / ₂	33	12 ¹⁵ / ₁₆	42 ¹ / ₂
42	52	49 ⁵ / ₈	38	18 ¹ / ₂	48 ¹ / ₂
48	58	56	40	18	54 ¹ / ₂

*Dimension may vary depending on motor.

RBU

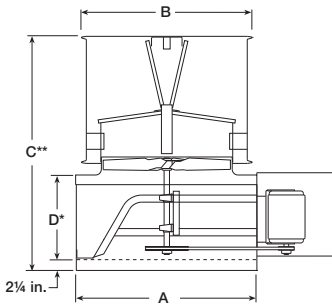


Dimensions for RBU

Model Size	A Curb Cap ID	B	C	D*		E	F	Nominal Sq. Sizes
				1, 2	3			Recommended Roof Opening
20	30	27 ¹ / ₄	24	15	—	23 ¹ / ₄	9 ¹ / ₃₂	26 ¹ / ₂
24	34	31 ¹ / ₈	26	15 ¹ / ₂	16 ³ / ₄	27 ³ / ₈	9 ⁷ / ₁₆	30 ¹ / ₂
30	40	37 ³ / ₈	30	15 ¹ / ₂	16 ³ / ₄	34 ³ / ₄	9 ⁷ / ₈	36 ¹ / ₂
36	46	43 ¹ / ₂	33	16 ³ / ₄	16 ³ / ₄	40 ⁷ / ₈	9 ⁷ / ₈	42 ¹ / ₂
42	52	49 ⁵ / ₈	38	19 ³ / ₈	23 ⁷ / ₈	46 ³ / ₄	11 ³ / ₄	48 ¹ / ₂
48	58	56	40	19 ³ / ₈	23 ⁷ / ₈	52 ³ / ₄	11 ³ / ₄	54 ¹ / ₂
54	66 ¹ / ₂	62 ⁵ / ₈	45	19 ¹ / ₄	26 ⁷ / ₈	61 ¹ / ₄	11 ¹ / ₂	63
60	72 ¹ / ₂	68 ³ / ₄	48	21 ¹ / ₄	27	66 ¹ / ₄	15	69

*Dimension may vary depending on motor.

RBUMO



Dimensions for RBUMO

Model Size	A	B	C**	D*	Nominal Sq. Sizes
					Recommended Roof Opening
20	29 ¹ / ₂	27 ¹ / ₄	43 ¹ / ₂	19 ³ / ₄	26
24	33 ¹ / ₂	31 ¹ / ₈	45 ⁵ / ₈	17 ¹ / ₂	30
30	39 ¹ / ₂	37 ³ / ₈	51 ³ / ₄	19 ¹ / ₂	36
36	45 ¹ / ₂	43 ¹ / ₂	55	19 ¹ / ₂	42
42	51 ¹ / ₂	49 ⁵ / ₈	59 ⁵ / ₈	19 ⁵ / ₈	48
48	57 ¹ / ₂	56	63 ⁵ / ₈	21 ³ / ₄	54
54	66	62 ⁵ / ₈	70 ⁵ / ₈	22 ³ / ₄	62 ¹ / ₂
60	72	68 ³ / ₄	75	23	68 ¹ / ₂

*Dimension may vary depending on motor.

**Sizes 42 through 60 with High Temperature Option will be 5 inches larger.