



Pulse Point™ Series models sense when a material reaches or leaves a particular point. These point level switches use electronic vibratory technology to sense the material, which is a mechanical principle and is not affected by the dielectric constant of the material being measured.

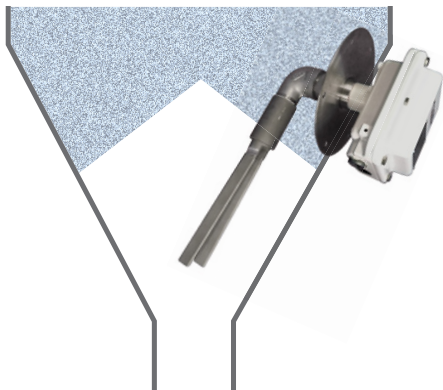
The LP-1000 Model does not require calibration, saving time and resources for an easy, quick installation. Between its temperature range and fork options, the Bindicator® LP-1000 can provide a solution to meet your needs in many materials and applications.

## FEATURES AND BENEFITS

- 1 1/4" or 1 1/2" NPT Mounting
- Detects bulk densities as low as 0.5 lbs/ft<sup>3</sup>
- Less susceptible to vibration for harsh conditions
- Dual tines prevent rat holing for dependable measurements
- Remote configuration available

### Optional 90° SS Fork

Commonly used in hopper, funnel area to sense material or lack of during filling processes; can also be mounted on the side of a vessel to allow forks to be pointing downward if top mounting not an option.



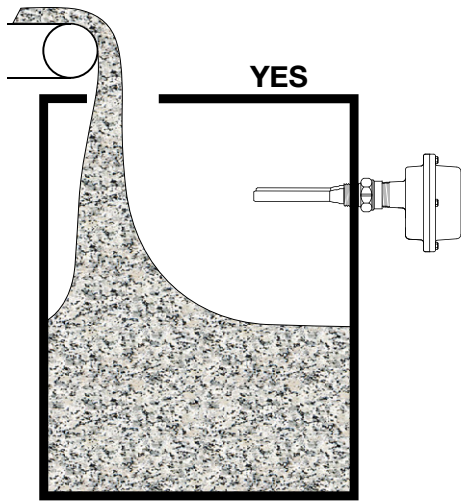
Unit is not proportional to silo size.

## APPLICATIONS

General	Light weight or heavily aerated powders
	Granular solids
Food	Materials that do not coat or build up
	Beans, Nuts, Seeds
	Salt, Flour, Grains, Powdered Milk
Chemicals	Spices, Animal Foods, Tobacco
	Carbon Black
	Styrofoam, Plastics, Rubber
Construction	Clays, Chalk
	Sand
	Wood Chips, Sawdust, Cellulose
	Paper Products, Glass
	Cement, Flyash

# PULSE POINT™ LP-1000

## MOUNTING OPTIONS INTEGRAL & PIPE EXTENDED UNITS



### MOUNTING TYPE

Mounting Type	Maximum Insertion Length
A	NA
B	180 in
C	180 in
D	180 in
E	180 in
F	40 in

**LPIK-**

**INSERTION LENGTH**  
XXX = Length in Inches

**SENSITIVITY OPTIONS**  
N = None

**TYPE**  
A = Standard NPT, No Pipe Extension  
B = Galvanized 3/4" Pipe Extension  
C = 316 SS 3/4" Pipe Extension  
D = Mild Steel Mounting Plate & Galvanized 3/4" Pipe Extension  
E = 304 SS Mounting Plate & 316 SS 3/4" Pipe Extension  
F = 90° Fork, 304 SS Mounting Plate and Extension

**MOUNTING CONFIGURATION**  
1 = 1/2" NPT Mounting (Type A only)  
2 = 1/4" NPT Mounting (Type A only)  
3 = 1/2" Pipe Extended (for use with Type B, C, D, & E)  
4 = 1/4" Pipe Extended (for use with Type B, C, D, & E)  
5 = 90° Fork, 304 SS Mounting Plate & Extension (Specify Type F)

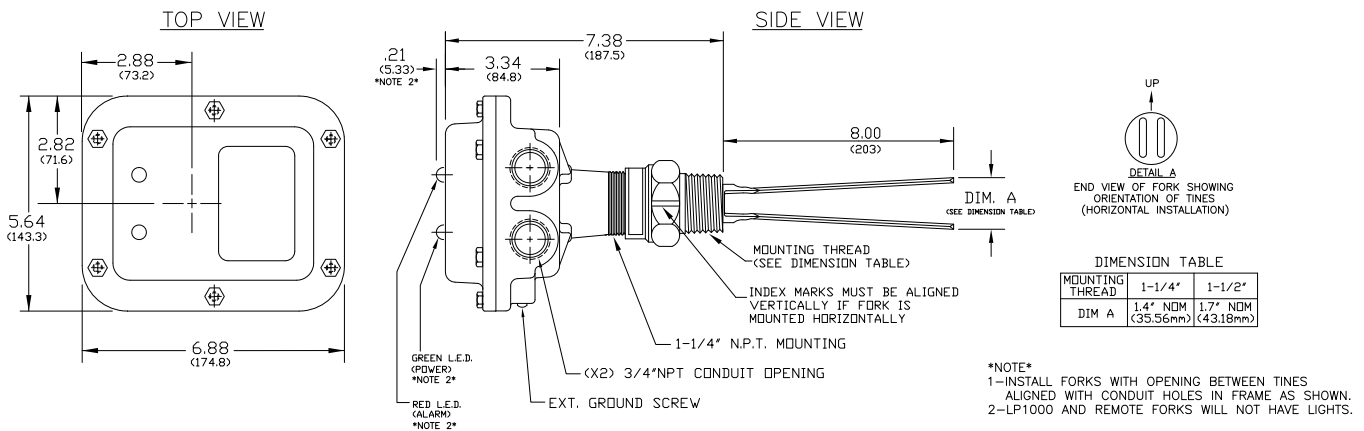
**APPROVAL RATING**  
G = General Purpose NEMA 4X

**ENCLOSURE MATERIAL**  
A = Polyester Coated Aluminum  
S = 304 SS  
E = Epoxy Painted Aluminum  
U = Unpainted Aluminum

**TUNING FORK**  
1 = 316 SS  
3 = 316 SS - Teflon® coated

**PULSE POINT™ LP-1000 INTEGRAL AND PIPE EXTENDED UNITS**

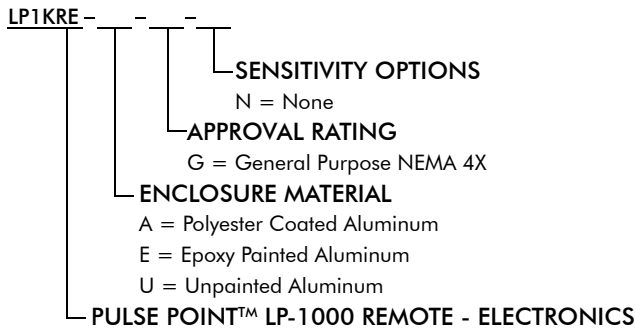
## DIMENSIONS - STANDARD UNIT



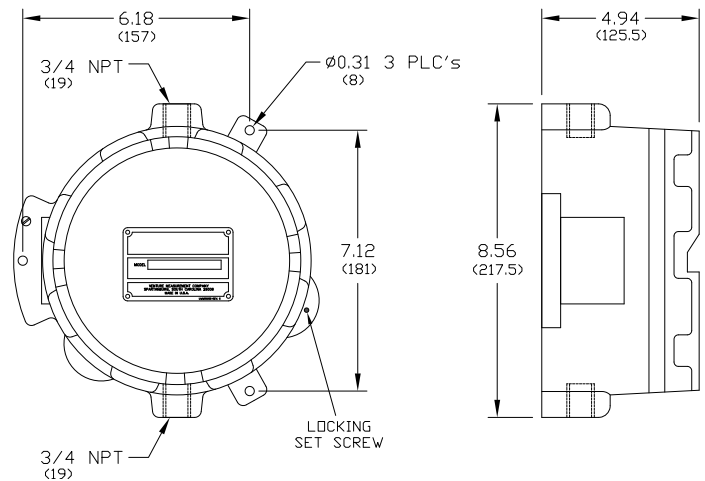
### ADDITIONAL DIMENSION DRAWINGS

See Pulse Point™ LP-1000 Installation & Operation Manual or visit [www.bindicator.com/LPSeries](http://www.bindicator.com/LPSeries)

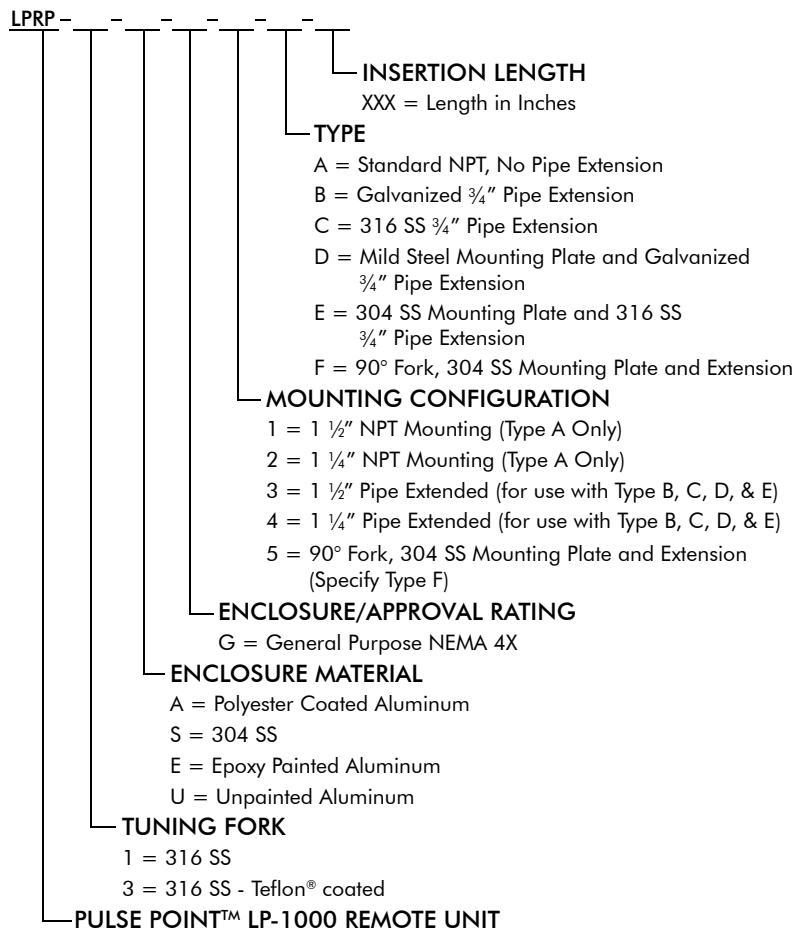
## REMOTE MOUNT ELECTRONICS



## REMOTE DIMENSIONS



## REMOTE TUNING FORKS



## OPTIONAL REMOTE UNIT CONFIGURATIONS

For high temperature applications, a remote unit can be installed to limit direct contact with the unit. The remote unit cannot be mounted more than 100 feet away.



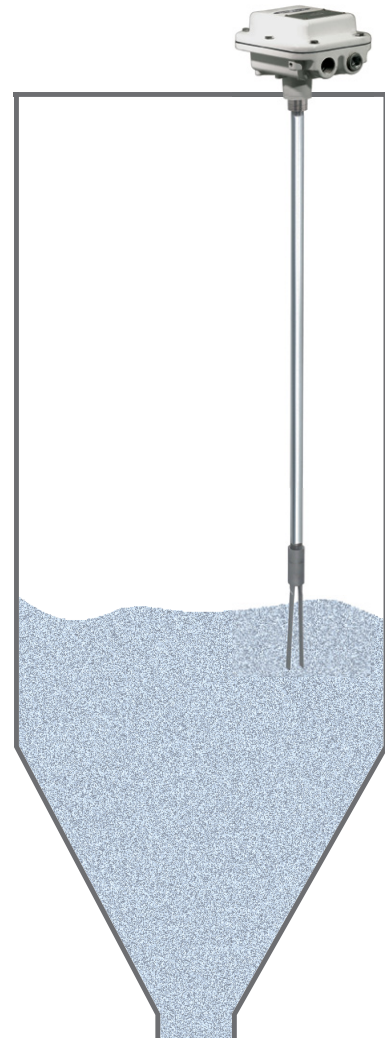
## AGENCY APPROVALS

### CE

- Electromagnetic Compatibility
- Low Voltage Directive 2006/95/EC

## SPECIFICATIONS

FUNCTIONAL	
Power Requirements	Universal, (+/- 10%) 100-240 VAC 50/60 Hz or 22-65 VDC
Power Consumption	10 W AC; 3 W DC
Operating Temperature Electronics Tuning Fork	-40° to 158° F (-40° to 70° C) -55° to 302° F (-48° to 150° C)
Outputs - Main Relay	8A DPDT @ 277 VAC or 30 VDC (resistive)
PERFORMANCE	
Pressure Rating	150 psi (10.5 kg/cm <sup>2</sup> ) with 1 1/2" NPT; 5 psi (0.35 kg/cm <sup>2</sup> ) with mounting plate
Time Delay	Field Adjustable; 1-6 seconds
Fail Safe	Field Selectable high/low level
Sensitivity	Minimum 0.5 lbs/ft <sup>3</sup> (8 kg/m <sup>3</sup> ); Field Adjustable
Maximum Particle Size	3/8" (9.5 mm)
PHYSICAL	
Dual Conduit Entry	3/4" NPT
Process Connections	1 1/4" or 1 1/2" NPT; Extended forks can be mounted directly through 1 1/4" or 1-1/2" NPT half coupling
Maximum Insertion Length	15 ft (4.6m)
Shipping Weight	Integral, non-extended 10 lb (4.5 kg)
OPTIONS	
Remote Electronics	
Mounting Plates	8" Diameter; Various materials
Flanges	2 to 4"; Various materials



### Optional Pipe Extension

When only top mounting is available, the pipe extension can be used to reach the desired depth in order to be in contact with material.

Unit is not proportional to silo size.



150 Venture Boulevard · Spartanburg, SC 29306  
Tel: (800) 778-9242 · (864) 574-8060  
Fax: (864) 574-8063  
E-mail: [sales@bindicator.com](mailto:sales@bindicator.com)  
[www.bindicator.com](http://www.bindicator.com)

**venture**  
MEASUREMENT

LVP180350 Rev. B

2012 All rights reserved.  
All data subject to change without notice.