



UL/cUL 705 Power Ventilators
E40001 - TCB
UL 762 Power Ventilators for Restaurant Exhaust
Appliances - MH11745 - TCB



Model TCB is AMCA Licensed for Sound and Air Performance

Construction	Best Available Program
Standard	10 Days
With UL 762	15 Days

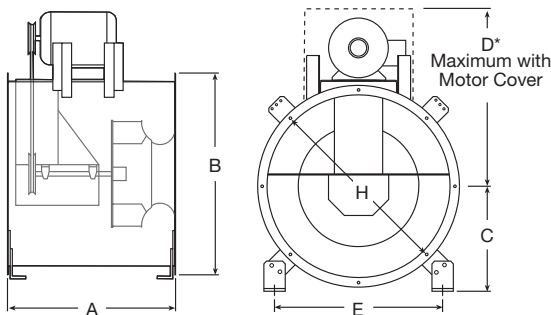
Model TCB Belt Drive

Tubular centrifugal inline fans are the ideal choice for installations with straight-through airflow in ducted systems. The centrifugal wheels used in this design provide higher efficiencies and lower sound levels than axial type inline fans when used in medium pressure ducted systems. These fans can be mounted in any position from horizontal to vertical, allowing installation in the smallest possible space at the lowest installation cost. Also available in roof supply and roof exhaust configurations.

Quick Build Performance

Capacities range from 300 to 26,000 cfm and up to 4.0 in. wg of static pressure.

Standard Construction	
Housing - continuously welded, steel	Spark B resistant construction
Wheel - backward-inclined, aluminum	Extended lube lines
Flanges - inlet and outlet with mounting holes	Minimum bearing life of L ₁₀ 80,000 hours (Average life - L ₅₀ 400,000 hours)
Universal mounting system	Perfectector™ protective powder coating
Aluminum rub ring	
Options and Accessories	
All aluminum construction	Inspection section with removable access panel
Motor cover	
Belt guard	Dual drives
Guards - inlet, outlet	Mounting rails
Companion flanges - inlet, outlet	Decorative or protective powder coating
Isolators - base, hanging	UL/cUL Listed Power Ventilators
NEMA rated disconnect switch	UL Listed Power Ventilators for Restaurant Exhaust Appliances
Easy access construction - bolted	
Inspection door - bolted, hinged	



Dimensions for TCB

Model Size	A	B	C	D*	E	H
9	23	21 ⁵ / ₈	13 ¹ / ₄	21 ³ / ₄	17 ⁵ / ₈	18 ³ / ₈
10	23	21 ⁵ / ₈	13 ¹ / ₄	21 ³ / ₄	17 ⁵ / ₈	18 ³ / ₈
12	23	21 ⁵ / ₈	13 ¹ / ₄	21 ³ / ₄	17 ⁵ / ₈	18 ³ / ₈
13	24 ¹ / ₂	23 ⁵ / ₈	13 ⁷ / ₈	23 ¹ / ₄	19	20 ³ / ₈
16	28 ¹ / ₂	27 ⁵ / ₈	16 ¹ / ₈	26	21 ⁷ / ₈	24 ³ / ₈
18	31	33 ⁵ / ₈	18 ³ / ₈	29 ¹ / ₄	26 ⁵ / ₈	30 ³ / ₈
22	35 ¹ / ₂	39 ⁵ / ₈	22 ¹ / ₂	33 ³ / ₄	30 ¹ / ₂	36 ³ / ₈
24	42	45 ³ / ₄	24 ⁵ / ₈	37 ¹ / ₄	34 ³ / ₄	42 ¹ / ₂
30	48 ¹ / ₂	52 ³ / ₄	29 ¹ / ₂	42 ³ / ₄	42	48 ¹ / ₂
36	54	59 ¹ / ₄	31 ³ / ₄	47 ¹ / ₄	46 ³ / ₄	55

All dimensions are in inches.
*Dimension may vary depending on motor.