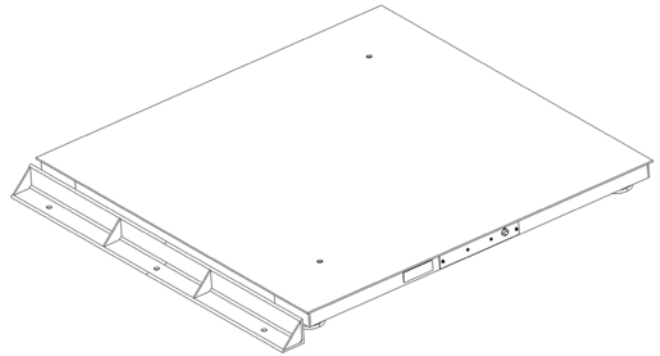


Bumper Guards

Option C



Anchor bolt size required:
1/2 in dia (not included)

Construction:
RoughDeck® HP and HP-H versions
(Mild steel, painted safety yellow)
RoughDeck SS/HE
(304 stainless steel)

Part Number/Price

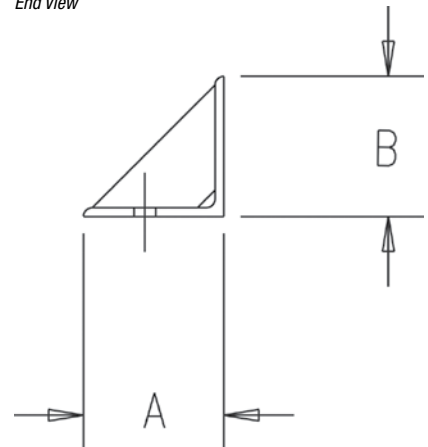
Length	RoughDeck HP	Price Each	RoughDeck SS/HE	Price Each	RoughDeck HP-H	Price Each
2.5 ft	86870	\$80.00	86879	\$180.00	86888	\$180.00
3.0 ft	86871	\$100.00	86880	\$220.00	86889	\$220.00
4.0 ft	86872	\$130.00	86881	\$295.00	86890	\$295.00
5.0 ft	86873	\$160.00	86882	\$365.00	86891	\$365.00
6.0 ft	86874	\$195.00	86883	\$440.00	86892	\$440.00
7.0 ft	86875	\$225.00	86884	\$510.00	86893	\$510.00
8.0 ft	86876	\$260.00	86885	\$590.00	86894	\$590.00
9.0 ft	86877	\$290.00	86886	\$660.00	86895	\$660.00
10.0 ft	86878	\$320.00	86887	\$730.00	86896	\$730.00

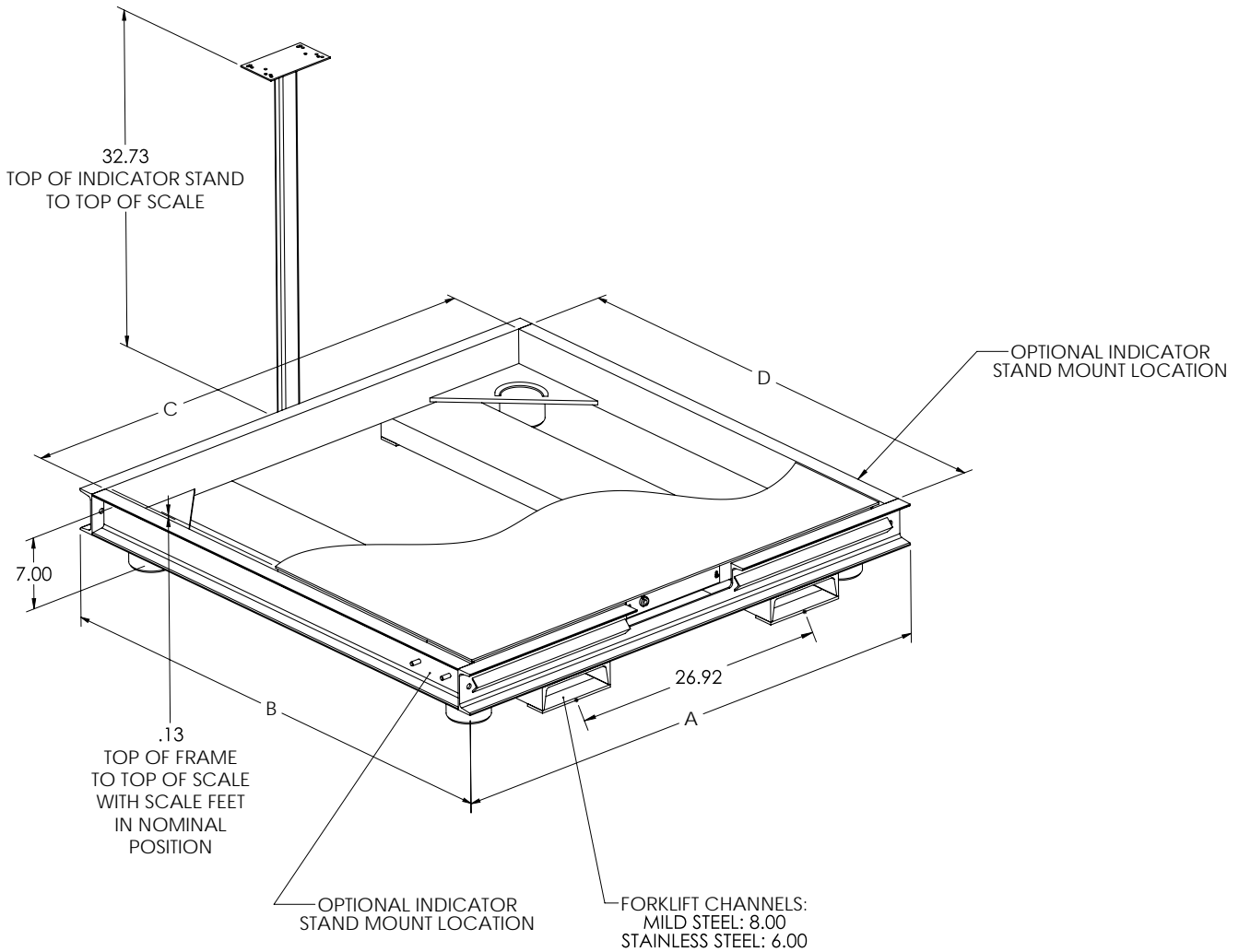
Accessories

Part #	Description	Price
18777	Floor anchor plates, mild steel (set of two), RoughDeck HP	\$35.00
18778	Floor anchor plates, stainless steel (set of two), RoughDeck SS/HE	\$45.00
40387	Floor anchor plates, mild steel (set of two), RoughDeck HP-H 20,000 lb	\$48.00
40388	Floor anchor plates, mild steel (set of two), RoughDeck HP-H 30,000 lb	\$48.00

Drawing Dimensions		
Model	A	B
RoughDeck HP	3 in	3 in
RoughDeck SS/HE	3 in	3 in
RoughDeck HP-H	4 in	4 in

End View





Part Number/Price

Part #	Size (W x L)	Est. Weight	Price
RoughDeck HP Portability Frames			
164492	4 ft x 4 ft, up to 10,000 lb capacity, floor stand for indicator 36.3 in high, indicator stand mounting bracket	275 lb	\$1,115.00
164493	5 ft x 5 ft, up to 10,000 lb capacity, floor stand for indicator 36.3 in high, indicator stand mounting bracket	400 lb	\$1,230.00
RoughDeck SS Portability Frames			
164494	4 ft x 4 ft, up to 10,000 lb capacity, floor stand for indicator 36.3 in high, indicator stand mounting bracket	275 lb	\$2,575.00
164495	5 ft x 5 ft, up to 10,000 lb capacity, floor stand for indicator 36.3 in high, indicator stand mounting bracket	400 lb	\$2,875.00

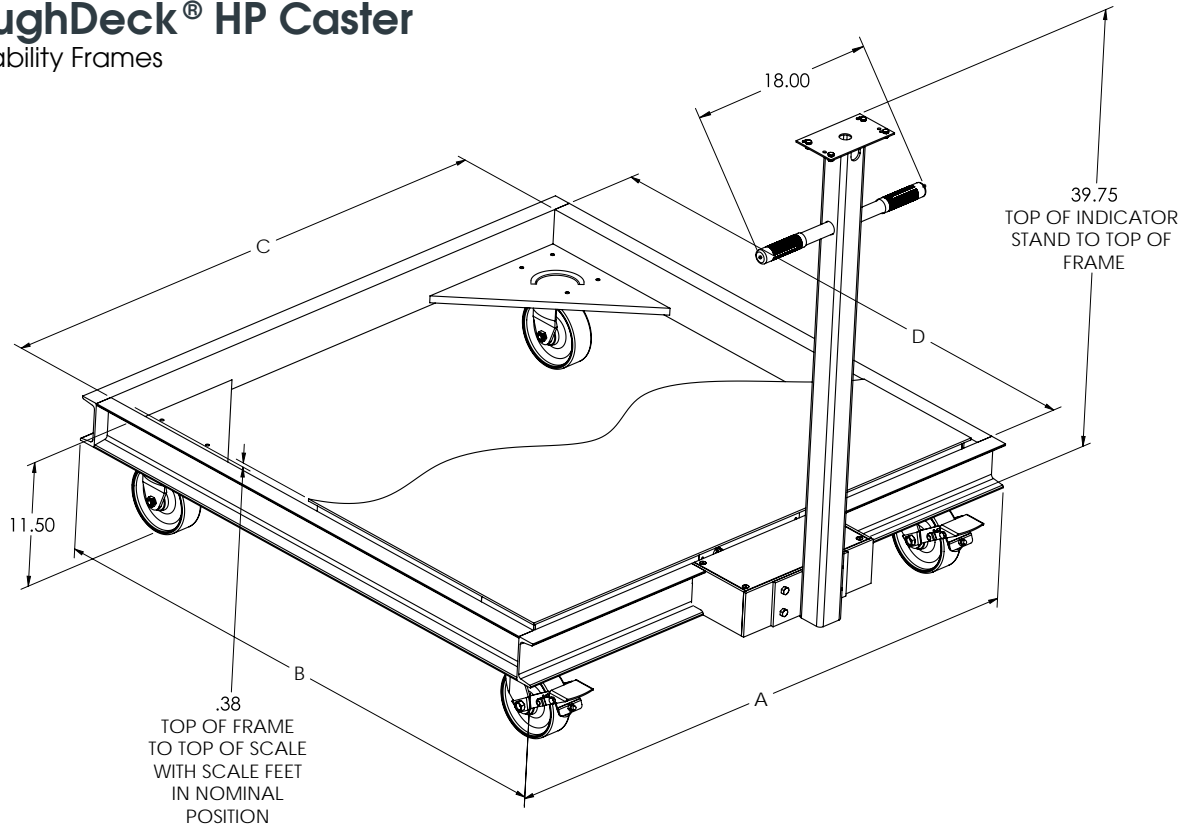
NOTE: Indicator stand mount bracket works with 120/120 Plus, 882IS/882IS Plus, 882IS/882IS Plus w/battery, 880/880 Plus, 480/480 Plus, 482/482 Plus, 680 Synergy

NOTE: Consult factory if you intend on using with a pallet jack.

Portability Frame Dimensions		
4 ft x 4 ft		
A	Mild steel: 51.92 in (1,318 mm)	Stainless steel: 52.75 in (1,339 mm)
B	Mild steel: 51.92 in (1,318 mm)	Stainless steel: 52.75 in (1,339 mm)
C	48.75 in (1,238 mm)	
D	48.75 in (1,238 mm)	
5 ft x 5 ft		
A	Mild steel: 63.92 in (1,623 mm)	Stainless steel: 64.75 in (1,644 mm)
B	Mild steel: 63.92 in (1,623 mm)	Stainless steel: 64.75 in (1,644 mm)
C	60.75 in (1,543 mm)	
D	60.75 in (1,543 mm)	
Distance from floor to inside of strap on the fork entry		
	Mild steel: 3/4 in	Stainless steel: 1/2 in
Distance from inside of strap to top of the fork entry		
	Mild steel: 2 in	Stainless steel: 2 1/4 in

RoughDeck® HP Caster

Portability Frames



Standard Features

- Painted mild steel
- Two rigid forged steel casters, two swivel forged steel caster with lock on back
- Casters for scales 1,000 lb-5,000 lb are rated for 1,500 lb each. Casters for 10,000 lb scale are rated for 4,000 lb each

Part Number/Price

Part #	Size (W x L x H)	Est. Weight	Price
RoughDeck HP Caster Portability Frames			
157785	2.5 ft x 2.5 ft, for RoughDeck HP 1,000 lb to 5,000 lb	220 lb	\$1,995.00
157791	3 ft x 3 ft, for RoughDeck HP 1,000 lb to 5,000 lb	240 lb	\$1,995.00
157792	4 ft x 4 ft, for RoughDeck HP 1,000 lb to 5,000 lb	260 lb	\$1,995.00
157793	4 ft x 4 ft, for RoughDeck HP 10,000 lb	260 lb	\$2,235.00

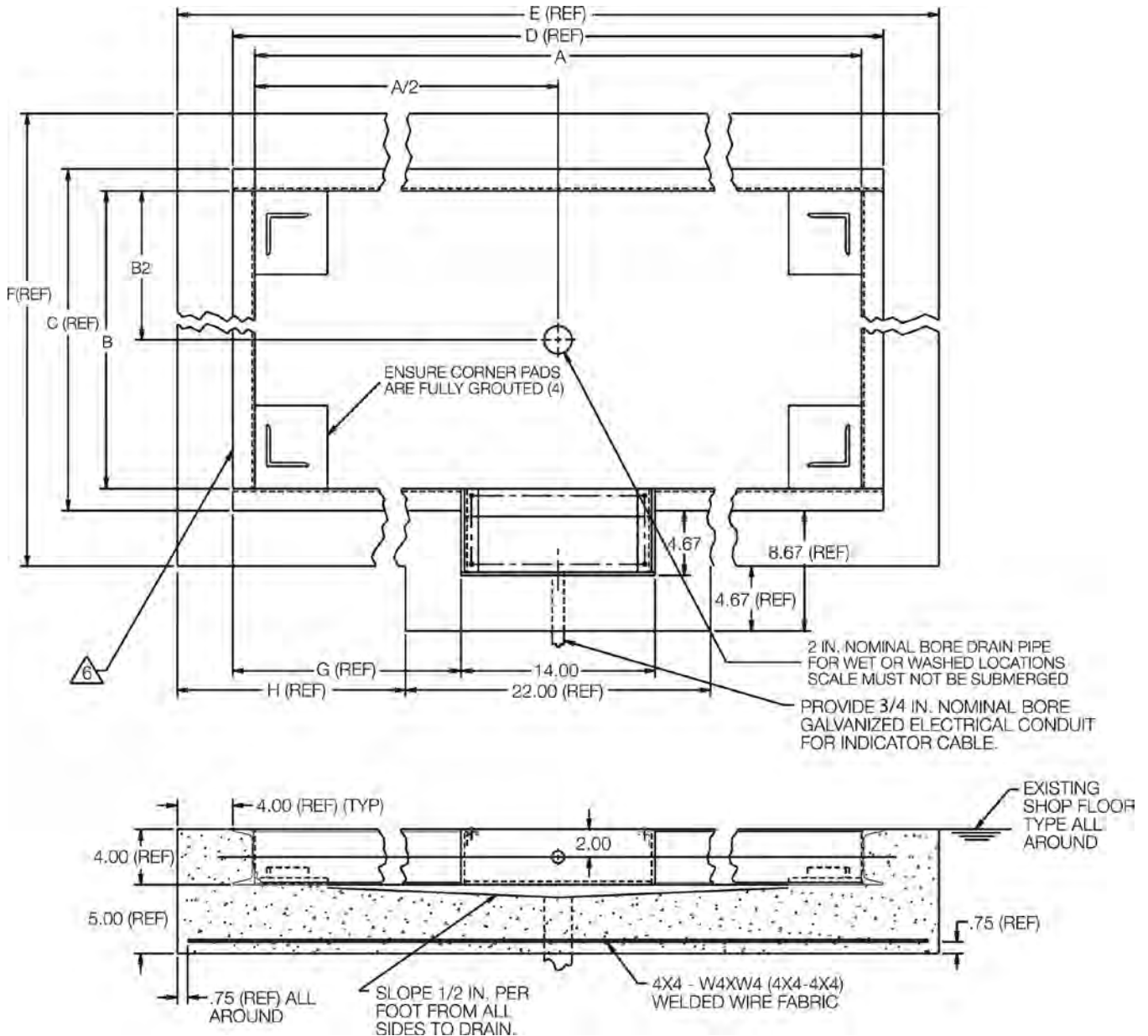
NOTE: Indicator stand mount bracket works with 120/120 Plus, 882IS/882IS Plus, 882IS/882IS Plus w/battery, 880/880 Plus, 480/480 Plus, 482/482 Plus, 680 Synergy

Caster Portability Frame Dimensions	
2.5 ft x 2.5 ft (1,000 lb-5,000 lb)	
A	33.92
B	33.92
C	30.75
D	30.75
3 ft x 3 ft (1,000 lb-5,000 lb)	
A	39.92
B	39.92
C	36.75
D	36.75
4 ft x 4 ft (1,000 lb-5,000 lb)	
A	51.92
B	51.92
C	48.75
D	48.75
4 ft x 4 ft (10,000 lb)	
A	51.92
B	51.92
C	48.75
D	48.75

RoughDeck® HP, SS & HE

Pit Frame Concrete Details*

FLOOR SCALES



Drawing Dimensions

Scale Size	2.5 ft x 2.5 ft	3 ft x 3 ft	4 ft x 4 ft	5 ft x 5 ft	4 ft x 5 ft	4 ft x 6 ft	5 ft x 6 ft	5 ft x 7 ft
A	30.75	36.75	48.75	60.75	60.75	72.75	72.75	84.75
B	30.75	36.75	48.75	60.75	48.75	48.75	60.75	60.75
C	33.92	39.92	51.92	63.92	51.92	51.92	63.92	63.92
D	33.92	39.92	51.92	63.92	63.92	75.92	75.92	87.92
E	41.92	47.95	59.92	71.92	71.92	83.92	83.92	95.92
F	41.92	47.95	59.92	71.92	59.92	59.92	71.92	71.92
G	9.96	12.96	18.96	24.96	24.96	30.96	30.96	36.96
H	9.96	12.96	18.96	24.96	24.96	30.96	30.96	36.96

All dimensions are shown in inches. Drawing #S2944-Rev. D
 * Drawings are for standard catalog part numbered scales.

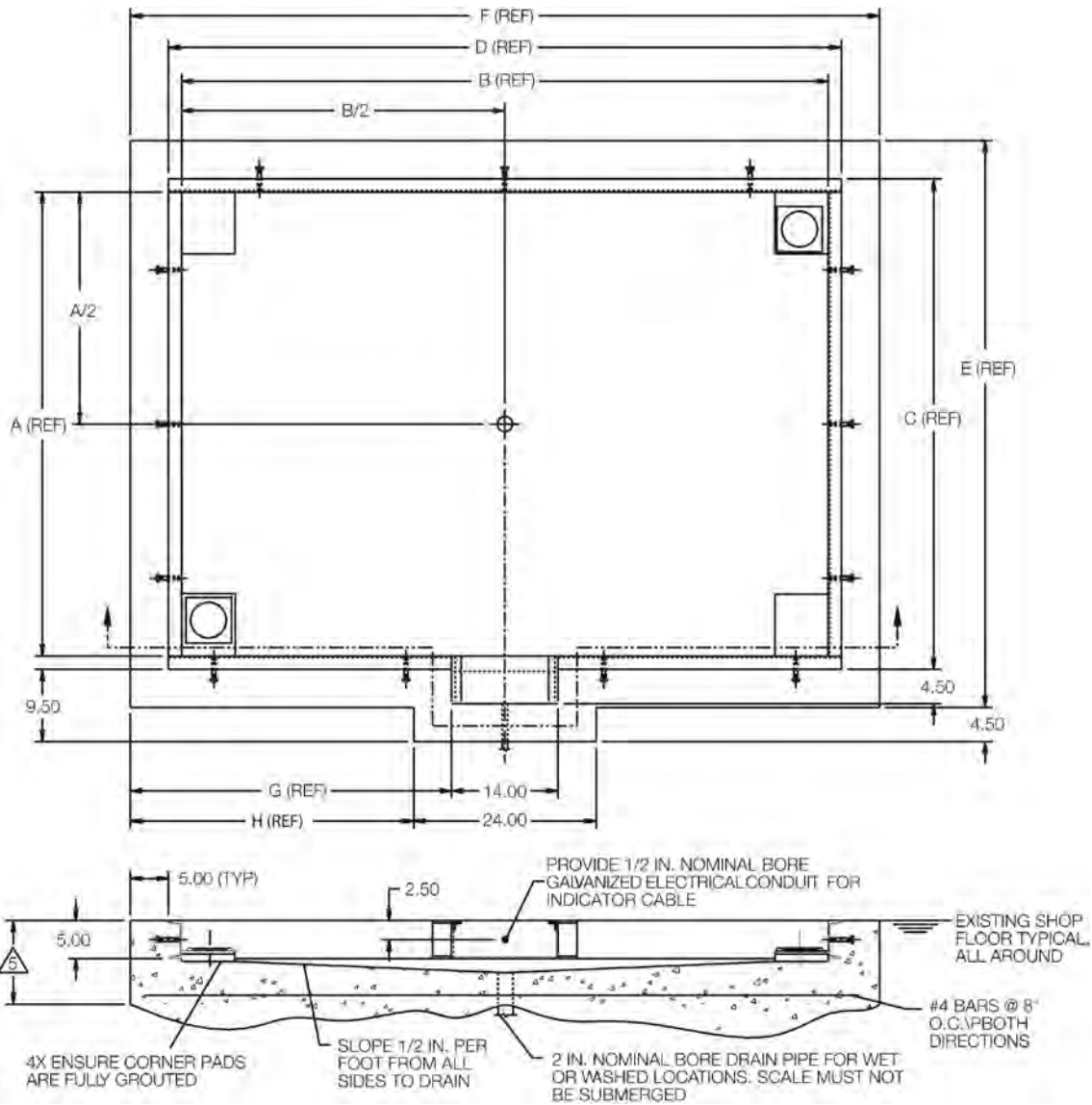
1. Use concrete of minimum yield strength 5,000 PSI or 6-bag mix
 2. Allow 7 days to cure (wet concrete periodically during this time).
 3. Dimensions shown assume firm, stable soil conditions. When soil conditions are not adequate, place foundation at sufficient depth.
 4. In wet or washdown applications, we recommend the use of hermetically sealed load cells, and that junction box be mounted remotely in a dry location.
 5. Wire mesh to have minimum 0.75 in cover bottom and sides.
- ⚠ On stainless steel versions, two pieces of 2 in angle will be substituted for 4 in channel.

www.ricelake.com | Phone: 800-472-6703

RICE LAKE

RoughDeck® HP-H

Pit Frame Concrete Details* - 20,000lb Capacity



Drawing Dimensions

Scale Size	4ft x 4ft	4ft x 5ft	4ft x 6ft	4ft x 7ft	5ft x 5ft	5ft x 6ft	5ft x 7ft
A	49.00	49.00	49.00	49.00	61.00	61.00	61.00
B	49.00	61.00	73.00	85.00	61.00	73.00	85.00
C	52.50	52.50	52.50	52.50	64.50	64.50	64.50
D	52.50	64.50	76.50	88.50	64.50	76.50	88.50
E	62.50	62.50	62.50	62.50	74.50	74.50	74.50
F	62.50	74.50	86.50	98.50	74.50	86.50	98.50
G	24.25	30.25	36.25	42.25	30.25	36.25	42.25
H	19.25	25.25	31.35	37.25	25.25	31.35	37.25

Drawing Dimensions

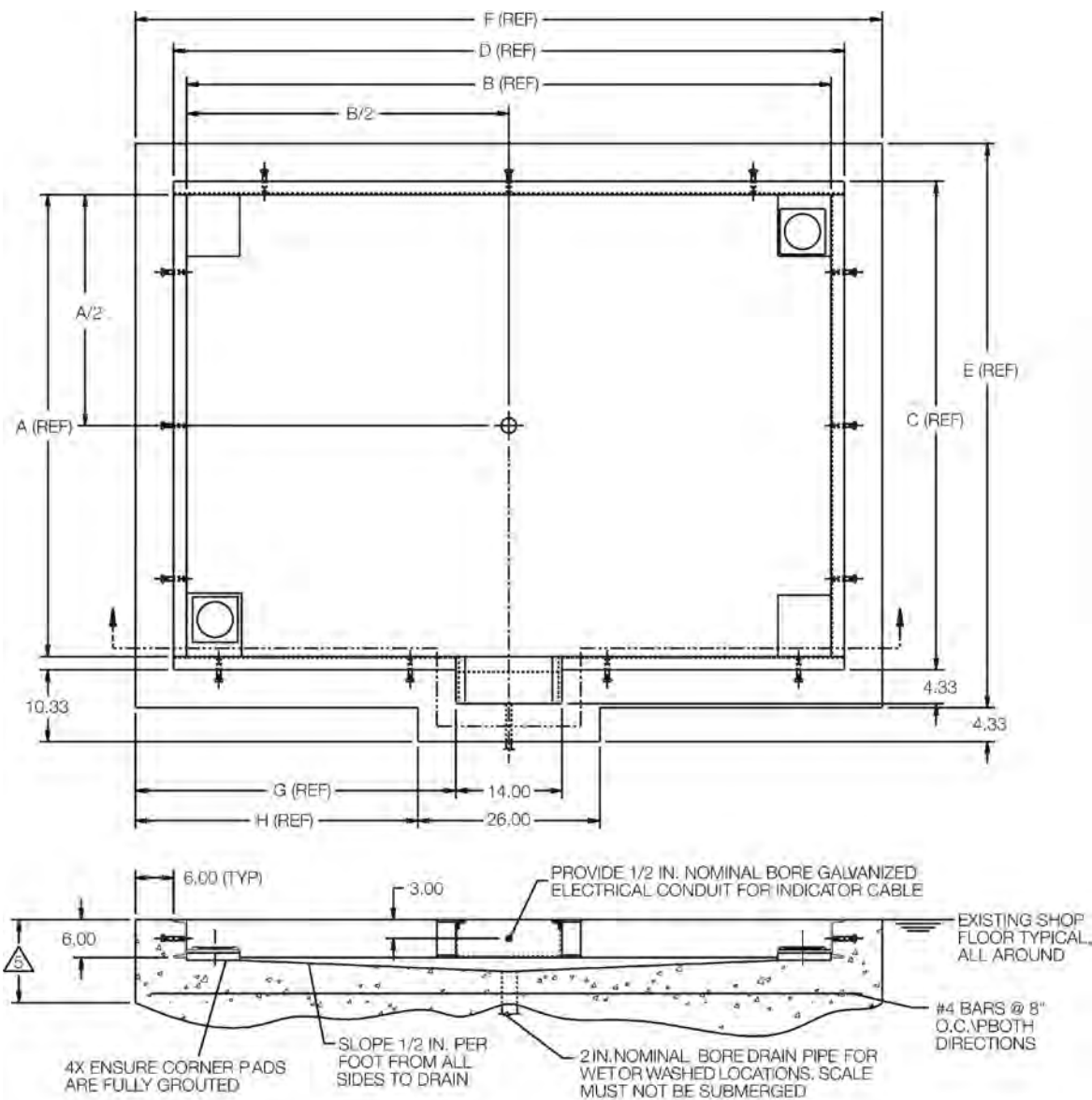
Scale Size	6ft x 6ft	6ft x 7ft	6ft x 8ft	7ft x 9ft	7ft x 10ft	8ft x 10ft
A	73.00	73.00	73.00	85.00	85.00	97.00
B	73.00	85.00	97.00	109.00	121.00	121.00
C	76.50	76.50	76.50	88.50	88.50	100.50
D	76.50	88.50	100.50	112.50	124.50	124.50
E	86.50	86.50	86.50	98.50	98.50	110.50
F	86.50	98.50	110.50	122.50	134.50	134.50
G	36.25	42.25	48.25	54.25	60.25	60.25
H	31.25	37.25	43.25	49.25	55.25	55.25

All dimensions are shown in inches. Drawing #S2944A-Rev. A
 * Drawings are for standard catalog part numbered scales.

1. Use concrete of minimum yield strength 5,000 PSI or 6-bag mix.
2. Allow 7 days to cure (wet concrete periodically during this time).
3. Before installing pit frame, ensure that proper sand (or soil) base is available under either existing concrete or new installation.
4. In wet or washdown applications, we recommend use of hermetically sealed load cells, and that junction box be mounted remotely in a dry location.
5. For required depth of slab, or rebar requirements specific to your application, proper engineering consultation is recommended.

RoughDeck® HP-H

Pit Frame Concrete Details* - 30,000lb Capacity



Drawing Dimensions							
Scale Size	4 ft x 4 ft	4 ft x 5 ft	4 ft x 6 ft	4 ft x 7 ft	5 ft x 5 ft	5 ft x 6 ft	5 ft x 7 ft
A	49.00	49.00	49.00	49.00	61.00	61.00	61.00
B	49.00	61.00	73.00	85.00	61.00	73.00	85.00
C	52.84	52.84	52.84	52.84	64.84	64.84	64.84
D	52.84	64.84	76.84	88.84	64.84	76.84	88.84
E	64.84	64.84	64.84	64.84	76.84	76.84	76.84
F	64.84	76.84	88.84	100.84	76.84	88.84	100.84
G	25.42	31.42	37.42	43.42	31.42	37.42	43.42
H	19.42	25.42	31.42	37.42	25.42	31.42	37.42

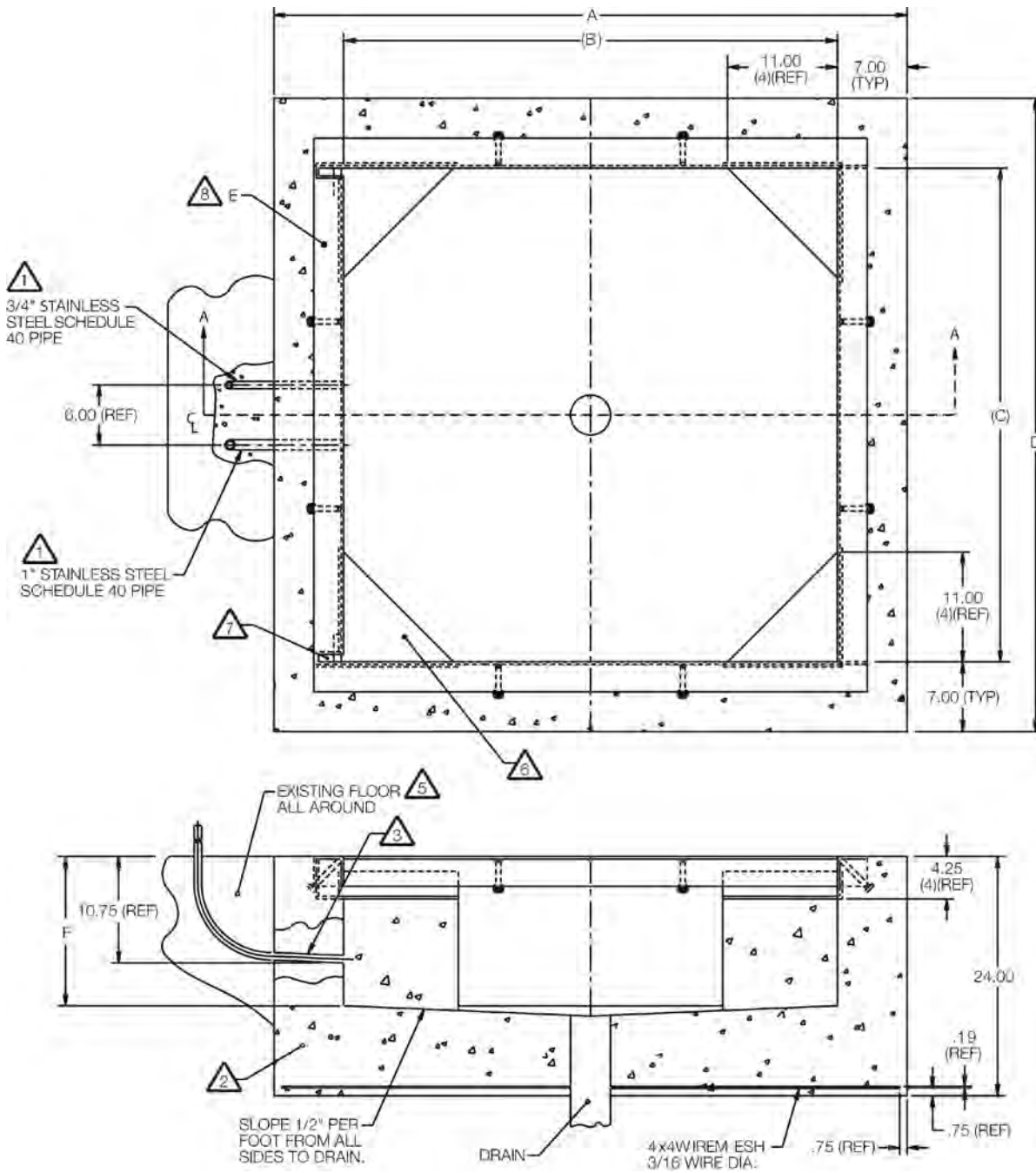
Drawing Dimensions						
Scale Size	6 ft x 6 ft	6 ft x 7 ft	6 ft x 8 ft	7 ft x 9 ft	7 ft x 10 ft	8 ft x 10 ft
A	73.00	73.00	73.00	85.00	85.00	97.00
B	73.00	85.00	97.00	109.00	121.00	121.00
C	76.84	76.84	76.84	88.84	88.84	100.84
D	76.84	88.84	100.84	112.84	124.84	124.84
E	88.84	88.84	88.84	100.84	100.84	112.84
F	88.84	100.84	112.84	112.84	136.84	136.84
G	37.42	43.42	49.42	55.42	61.42	61.42
H	31.42	37.42	43.42	49.42	55.42	55.42

1. Use concrete of minimum yield strength 5,000 PSI or 6-bag mix.
 2. Allow 7 days to cure (wet concrete periodically during this time).
 3. Before installing pit frame, ensure that proper sand (or soil) base is available under either existing concrete or new installation.
 4. In wet or washdown applications, we recommend the use of hermetically sealed load cells, and that junction box be mounted remotely in a dry location.
- ⚠ For required depth of slab, or rebar requirements specific to your application, proper engineering consultation is recommended.

All dimensions are shown in inches. Drawing #S2944B-Rev. A
 * Drawings are for standard catalog part numbered scales.

AutoLift HE

Pit Frame Concrete Details*



- ① Length of pipe is determined on site.
- ② Use concrete of minimum yield strength 5,000 PSI or 6-bag mix.
- ③ Slope pipe slightly for water drainage.
- ④ Allow concrete 7 days to cure (wet concrete periodically during this time).
- ⑤ Tie pit in with existing floor with rebar if required.
- ⑥ Ensure underside is supported with concrete or grout (plate is an integral part of frame).
- ⑦ Keep pocket free of concrete.
- ⑧ Coping must sit level in floor to allow proper operation of scale.

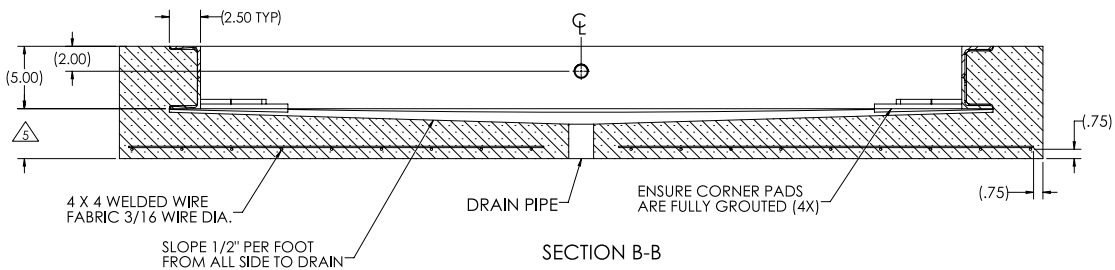
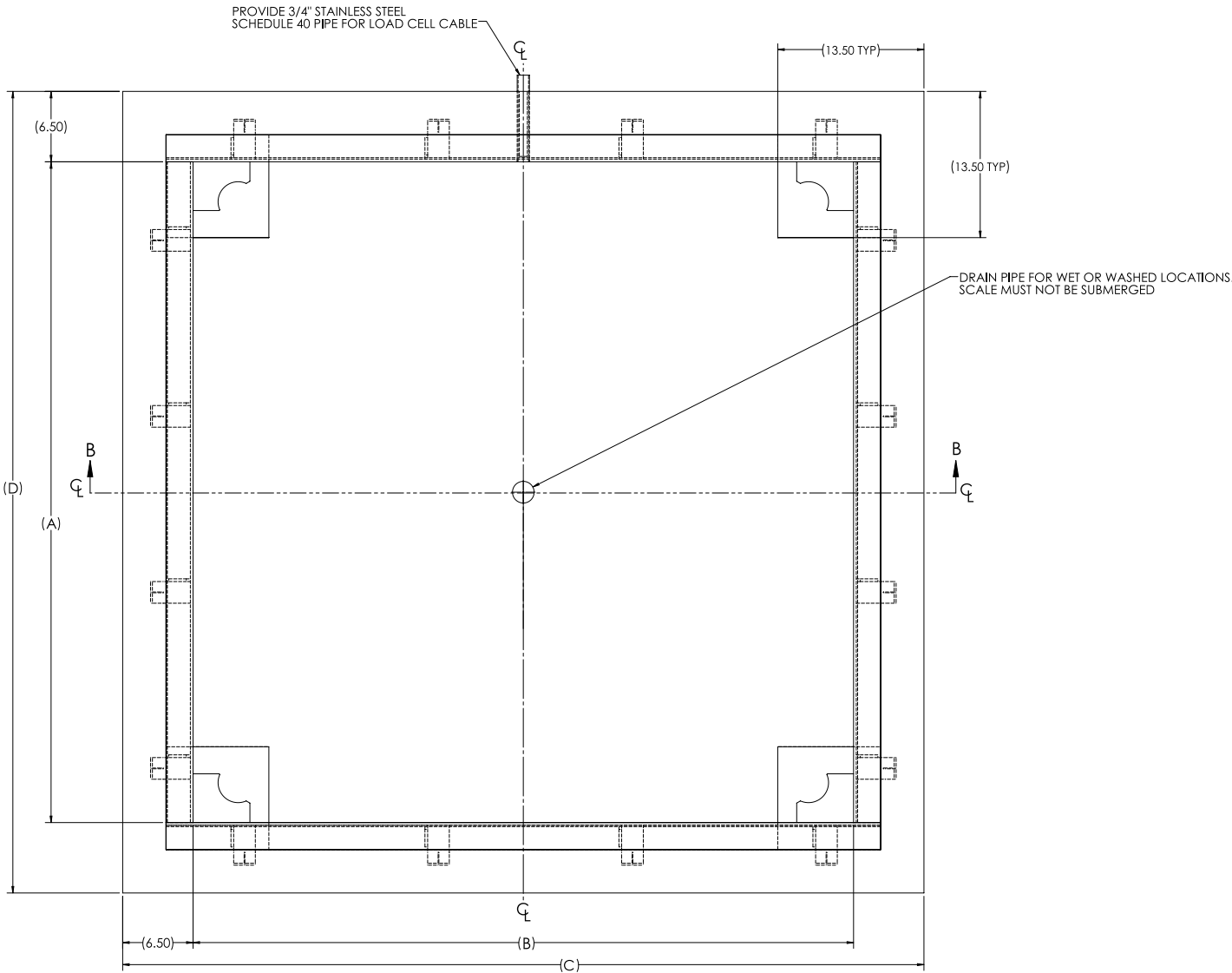
Drawing Dimensions		
Scale Size	4ft x 4ft	5ft x 5ft
A	63.06	75.06
B	49.06	61.06
C	49.00	61.06
D	63.00	75.00
E (PN)	41936	41397
F	15.00	16.75

All dimensions are shown in inches. Drawing #S5158-Rev. B

* Drawings are for standard catalog part numbered scales.

RoughDeck® QC-X Pit Frame Concrete Details*

FLOOR SCALES



1. Use concrete of minimum yield strength 5,000 PSI or 6-bag mix.
2. Allow 7 days to cure (wet concrete periodically during this time).
3. Before installing pit frame, ensure that proper sand (or soil) base is available under either existing concrete or new installation.
4. In wet or washdown applications, we recommend the use of hermetically sealed load cells.
5. For required depth of slab, or rebar requirements specific to your application, proper engineering consultation is recommended.

Drawing Dimensions				
Scale Size	A	B	C	D
4 ft x 4 ft	49.00	49.00	62.00	62.00
5 ft x 5 ft	61.00	61.00	74.00	74.00

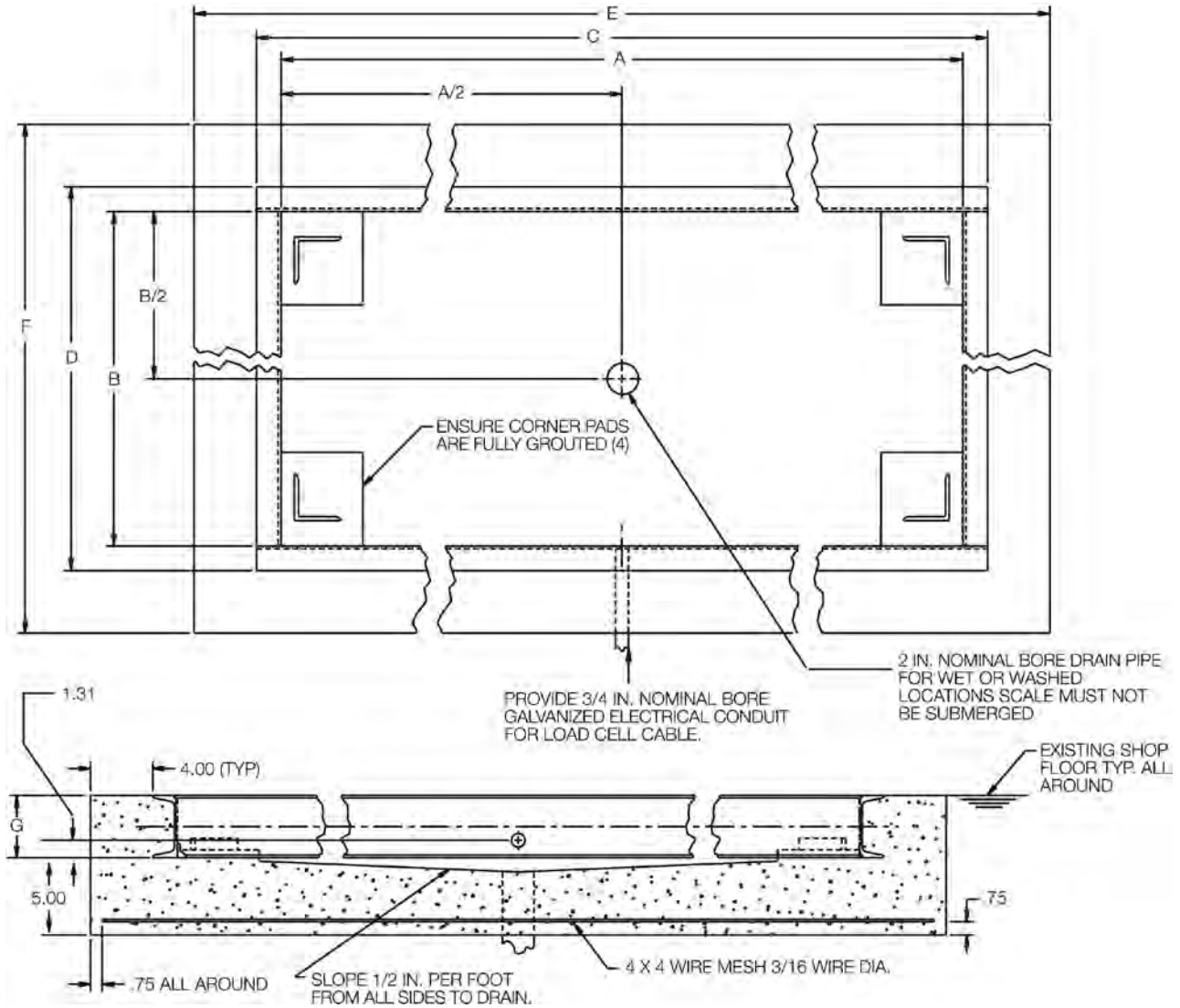
All dimensions are shown in inches.

www.ricelake.com | Phone: 800-472-6703

RICE LAKE

RoughDeck® QC

Pit Frame Concrete Details*



Drawing Dimensions

Scale Size	A	B	C	D	E	F	G
2.5 ft x 2.5 ft - 2,000 lb	30.75	31.00	34.75	35.00	42.75	43.00	4.00
3 ft x 3 ft - 2,000 lb	36.75	37.00	40.75	41.00	48.75	49.00	4.00
4 ft x 4 ft - 2,000 lb	48.75	49.00	52.75	53.00	60.75	61.00	4.00
4 ft x 4 ft - 5,000 lb	48.75	49.00	52.75	53.00	60.75	61.00	4.00
4 ft x 4 ft - 10,000 lb	48.75	49.00	53.75	54.00	61.75	62.00	5.00
4 ft x 5 ft - 2,000 lb	60.75	49.00	64.75	53.00	72.75	61.00	4.00
4 ft x 5 ft - 5,000 lb	60.75	49.00	65.75	54.00	73.75	62.00	5.00
4 ft x 5 ft - 10,000 lb	60.75	49.00	65.75	54.00	73.75	62.00	5.00
4 ft x 6 ft - 2,000 lb	72.75	49.00	77.75	54.00	85.75	62.00	5.00

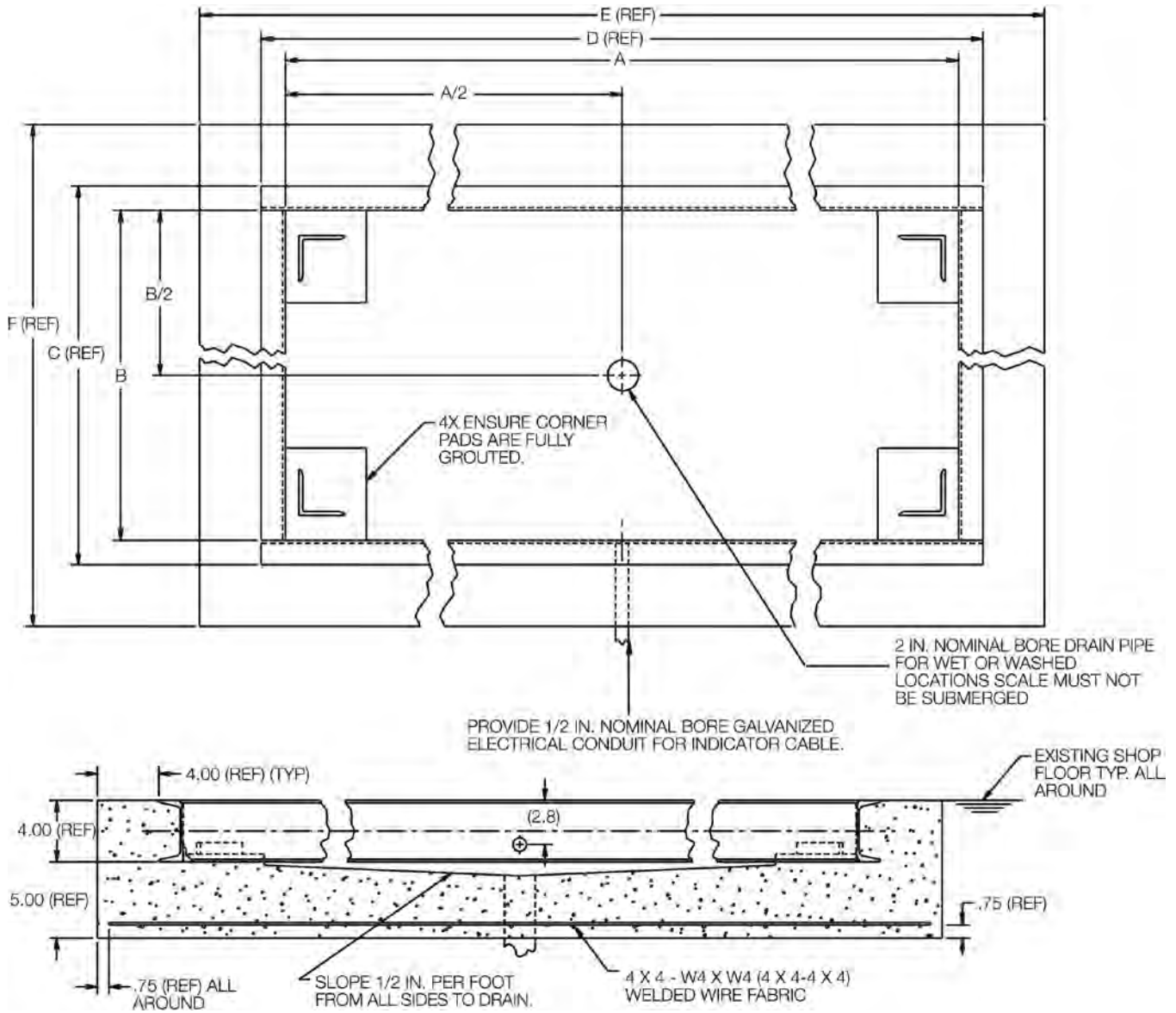
Drawing Dimensions

Scale Size	A	B	C	D	E	F	G
4 ft x 6 ft - 5,000	72.75	49.00	77.75	54.00	85.75	62.00	5.00
4 ft x 6 ft - 10,000	72.75	49.00	78.75	55.00	86.75	63.00	6.00
5 ft x 5 ft - 2,000	60.75	61.00	65.75	66.00	73.75	74.00	5.00
5 ft x 5 ft - 5,000	60.75	61.00	65.75	66.00	73.75	74.00	5.00
5 ft x 5 ft - 10,000	60.75	61.00	65.75	66.00	73.75	74.00	5.00
5 ft x 7 ft - 2,000	84.75	61.00	90.75	67.00	98.75	75.00	6.00
5 ft x 7 ft - 5,000	84.75	61.00	90.75	67.00	98.75	75.00	6.00
5 ft x 7 ft - 10,000	84.75	61.00	90.75	67.00	98.75	75.00	6.00
6 ft x 6 ft - 5,000	72.75	73.00	78.75	79.00	86.75	87.00	6.00
6 ft x 6 ft - 10,000	72.75	73.00	78.75	79.00	86.75	87.00	6.00

All dimensions are shown in inches. Drawing #S6360A-Rev. D

* Drawings are for standard catalog part numbered scales.

1. Use concrete of minimum yield strength 5,000 PSI or 6-bag mix.
2. Allow 7 days to cure (wet concrete periodically during this time).
3. Dimensions shown assume firm, stable soil conditions. When soil conditions are not adequate, place foundation at sufficient depth.
4. In wet or washdown applications, we recommend the use of hermetically sealed load cells, and that the junction box be mounted remotely in a dry location.
5. Wire mesh to have minimum 0.75 in cover bottom and sides.



1. Use concrete of minimum yield strength 5,000 PSI or 6-bag mix.
2. Allow 7 days to cure (wet concrete periodically during this time).
3. Dimensions shown assume firm, stable soil conditions. When soil conditions are not adequate, place foundation at sufficient depth.
4. In wet or washdown applications we recommend the use of hermetically sealed load cells and that the junction box be mounted remotely in a dry location.
5. Wire mesh to have minimum 0.75 in cover bottom and sides.

Drawing Dimensions					
Scale Size	3 ft x 3 ft	4 ft x 4 ft	4 ft x 5 ft	4 ft x 6 ft	5 ft x 5 ft
A	36.75	48.75	60.75	72.75	60.75
B	36.75	48.75	48.75	48.75	60.75
C	39.92	51.92	51.92	51.92	63.92
D	39.92	51.92	63.92	75.92	63.92
E	47.92	59.92	71.92	83.92	71.92
F	47.92	59.92	59.92	59.92	71.92

All dimensions are shown in inches. Drawing #S77687
* Drawings are for standard catalog part numbered scales.