

Photo Eyes



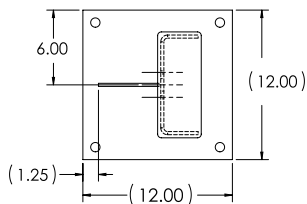
Retro-reflective

Standard Features

- Many varieties available for both truck scale and dynamic weighing applications
- Arrange photo eyes to keep wheels on scale
- Rugged outdoor applications
- Reflective types work up to 17 ft (2,13 m) in clean conditions
- Quick disconnects for easy replacement
- Broken beams can signal a wheel off the scale or prevent a weighment in unattended systems
- Transmitter/receiver types work up to 17 ft in clean conditions

Part Number/Price

Part #	Description	Price
Photo Eyes		
78975	Allen-Bradley® photo eye retro-reflective sensor	\$275.00
78976	Photo eye reflector, 3 in diameter	\$27.00
78977	Quick disconnect photo eye cable, 12 ft, 5-Pin mini connector	\$115.00
Photo Switches		
165776	Kit, photo eye switch	\$1,205.00
103013	Photo switch receiver	\$250.00
103014	Photo switch transmitter	\$198.00
196361	Photo switch transmitter (DC)	\$255.00
103015	Photo switch quick connector receiver	\$115.00
103016	Photo switch quick connector transmitter	\$80.00
130398	Mounting swivel assembly for 103103 and 103014	\$25.00
156532	Photo eye stand kit	\$325.00



PN 156532 photo eye stand kit dimensions

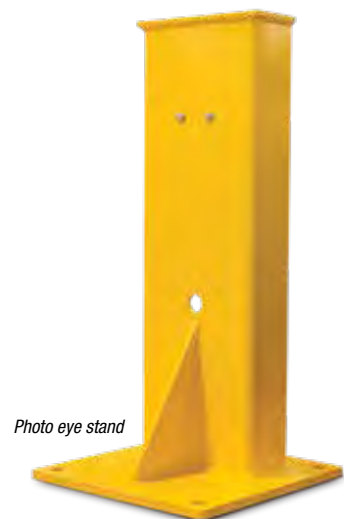
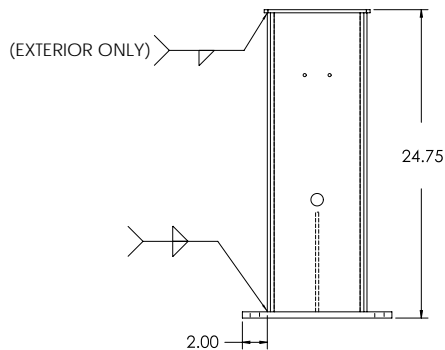


Photo eye stand