



TEL-TRU MANUFACTURING COMPANY

DIGI-TEL™ THERMOMETERS



Tel-Tru now offers Digi-Tel thermometers with loop powered 4-20mA transmitter output. These feature-rich units provide reliable transmitter output to remote devices within a facility or can be integrated into expanded control systems to help processes run more efficiently.

As with the generations before, the new Digi-Tel models meet FDA Rule 21 CFR 113.40 requirements for temperature indicators used in retorts, and the requirements of the Pasteurized Milk Ordinance for dairy applications.

Each Digi-Tel thermometer is sold with a NIST traceable calibration certificate. Third party testing confirms that all models meet stringent environmental specifications, ensuring that they will stand up to the most rugged applications.

Digi-Tel thermometers are backed by a five-year warranty.



ND5A



SD5C
w/6:00 probe



SD5B



ND4R

M12 cordset
purchased separately



Transmitter Output available for all Digi-Tel models

Display Range:	-75/750°F or -60/400°C
Output Range:	Available within specified display range Minimum Span: 45°F (25°C) Maximum Span: 360°F (200°C)
Display Accuracy:	± 0.5°F (0.3°C)
Output Accuracy:	± (0.18°F + 0.1% span) ± (0.1°C + 0.1% span)
Output:	4-20 mA
Loop Powered:	9-32 VDC, polarity protected

Temperature + Pressure	Since 1916
-------------------------------	-------------------

www.teltru.com

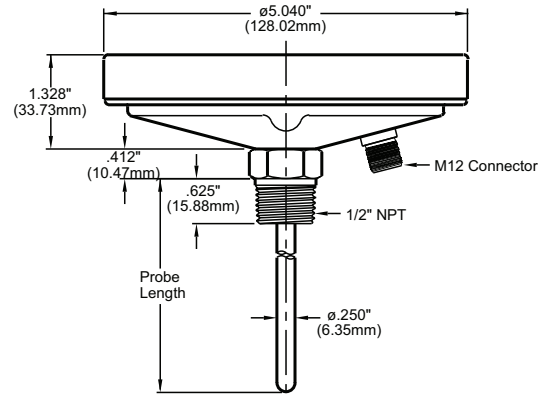
SPECIFICATIONS



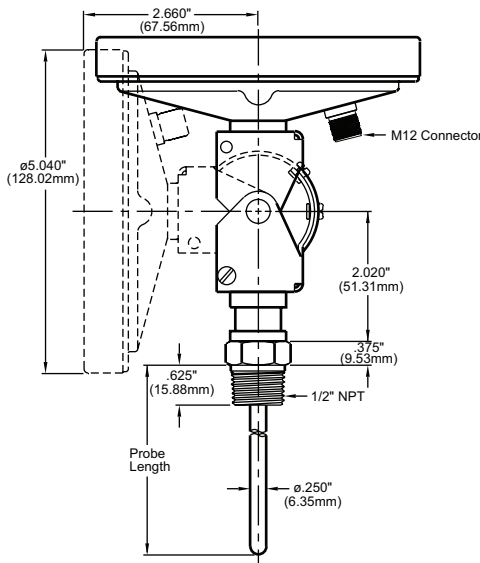
4.5" Remote Unit with 4-20mA Transmitter Output



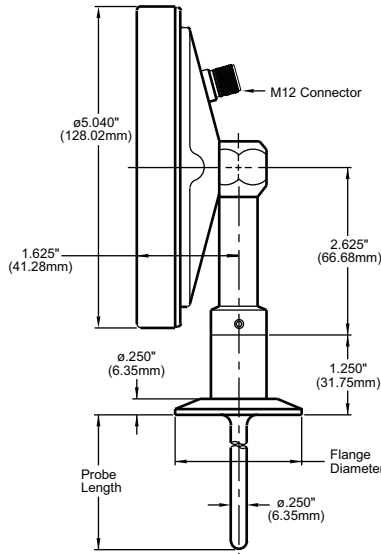
5" Direct Unit with 4-20mA Transmitter Output



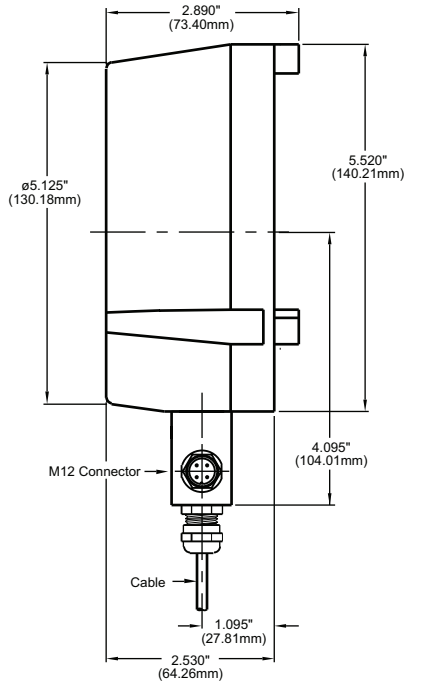
➤ **ND5B** with transmitter output



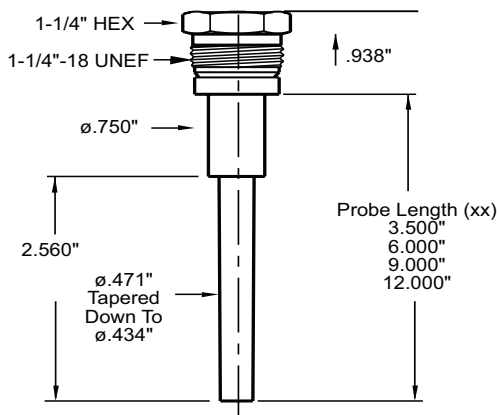
➤ **ND5A** with transmitter output



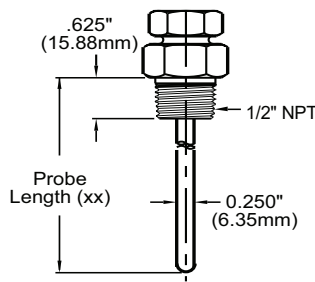
➤ **SD5C** with transmitter output



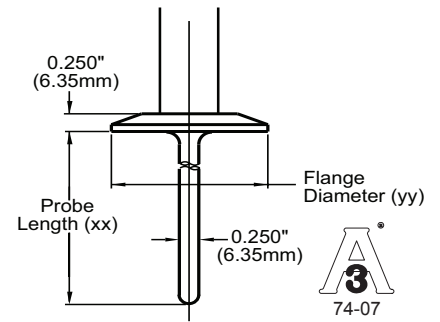
➤ **ND4R** with transmitter output



➤ **P55xx5**



➤ **P22xx2**



➤ **P22xx3-yy**



Tel-Tru Manufacturing Company

408 St. Paul St., Rochester, New York 14605 USA

Phone: 585.232.1440 • 800.232.5335 • Fax: 585.232.3857 • E-mail: info@teltru.com • Web: www.teltru.com

DTG21216

© 2016