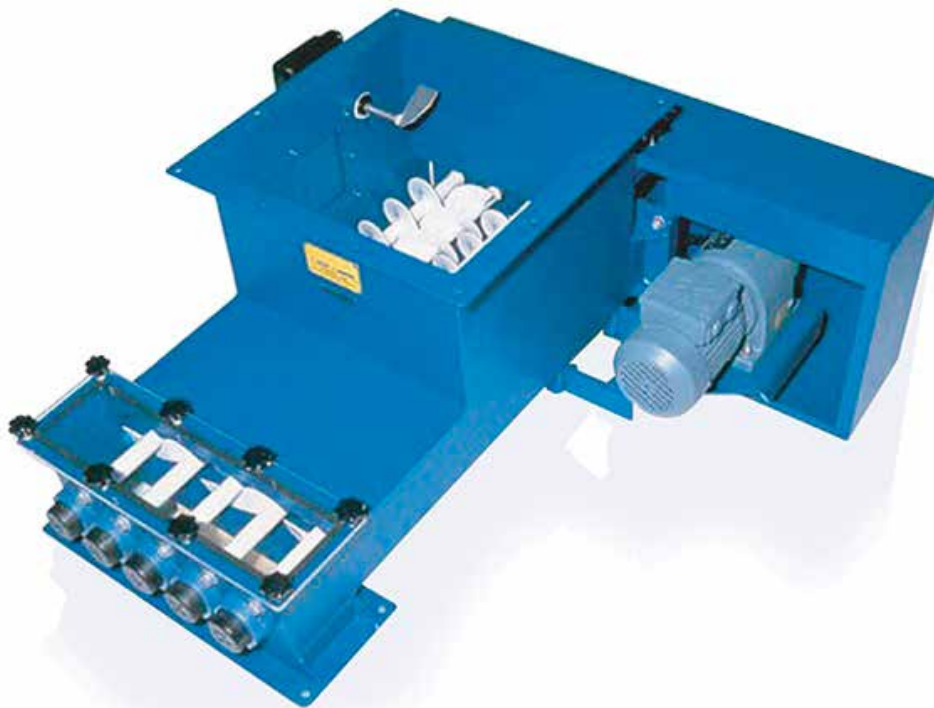


# Multiscrew Feeders

For Safe Discharge and Accurate Metering of Solids



The **Multiscrew Feeder** is the core of all **ProMinent®** dry feed packages. Application specific systems are available to satisfy the dry feed handling, mixing, delivering and controlling requirements for all of your dry feed needs in both the Municipal and Industrial market place. With unique construction, Multiscrew Feeders are outstandingly suitable as metering devices for both granular and arch-forming materials.

## Features & Benefits

- Multi screw design
- High metering accuracy
- Linear discharge curve
- Forced discharge
- Self-cleaning feeder screws
- Large active contact area
- Robust low-wear construction

## Example of Typical Materials

- Lime
- Polymer
- Potassium Permanganate
- Urea
- Bentonite
- Aluminium Sulfate
- Magnesium Sulfate
- Magnesium Oxide
- Limestone
- Sodium Bicarbonate
- Powdered Activated Carbon
- Soda Ash

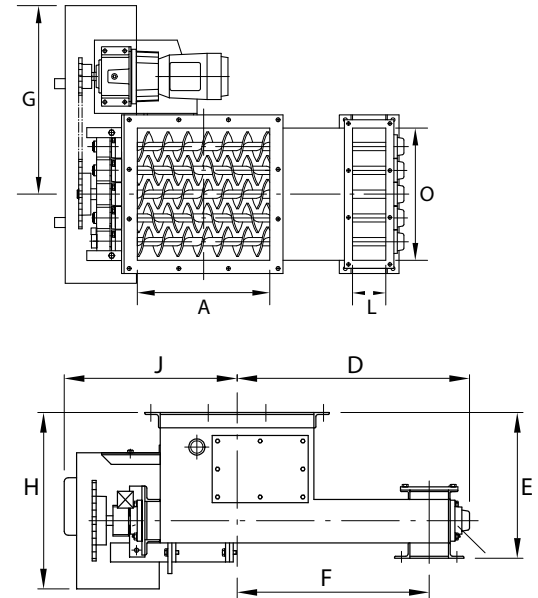
# Multiscrew Feeders

## Technical Data / Dimensions

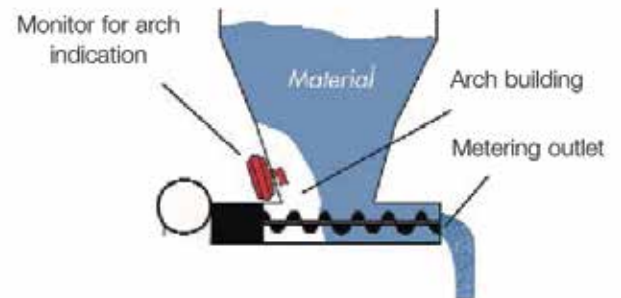
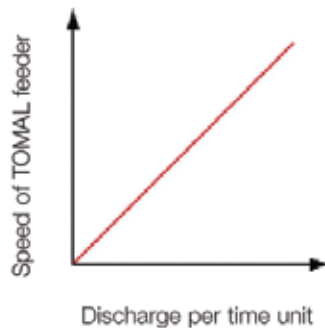
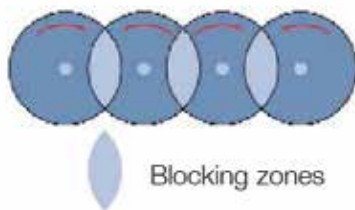
Capacity Data at Maximum Backpressure											
Feeder Type	182	302	305	403	405	475	624	626	627	1004	1245
A	7.09	11.81	11.81	15.75	15.75	27.56 / 15.75	24.41	24.41	24.41	39.37	49.21
D	13.39	21.85	20.90	39.17	24.61	30.51	41.04 / 47.64	28.54	28.54	58.46	77.76
E	8.46	12.99	12.20	20.87	14.96	14.94	21.26	19.09	16.34	24.41	29.33
F	10.24	17.72	18.11	31.5	19.69	25.59	32.36 / 39.37	23.62	23.62	48.23	65.04
G	11.81	17.32	20.00	25.98	21.65	21.65	29.92	25.98	25.98	38.58	44.69
H	10.43	17.32	13.00	24.02	18.11	17.32	22.83	22.05	18.31	25	30.91
J	10.83	15.75	21.65	21.06	18.11	21.65	23.23	20.87	23.62	38.58	42.32
L	2.36	3.94	3.15	7.87	3.94	3.94	7.87	3.94	3.94	11.02	13.78
O	4.72	7.09	10.63	17.17	15.75	15.75	24.41	2 x 9.06	24.41	39.37	49.21
# of Screws	2	2	5	3	5	5	4	2 x 3	7	4	4
Max. Cap lbs/min	1.8	73	88.4	529.5	176.5	176.5	735	2 x 132	294	2647	6472

\* All measurements in inches unless otherwise noted

\*\* All rates based on 50 lbs/cu³ bulk density



### Counter rotating feeder screws



### High Metering Accuracy

A number of interacting counter rotating feeder screws are able to create blocking zones between them. This ensures extremely high accuracy as the screws are self-cleaning.

### Linear Discharge Curve

The discharge curve is linear. In conjunction with speed and discharge per time.

Assuming the material has constant volume weight, the accuracy will be better than +/- 1%. This enables both batch and continuous processes to be accurately controlled.

### Safe Product Discharge

ProMinent's® multiscrew design ensures that material is discharged over the entire active area of the feeder. This prevents the material from bridging and ensures that the principle of "first in, first out" is maintained.

Optional level monitoring is available to detect arch build-ups for extremely arch-forming materials. This will activate an arch breaking system.



**ProMinent Fluid Controls, Inc.**  
 136 Industry Drive • Pittsburgh, PA 15275 USA  
 (412) 787-2484 • Fax: (412) 787-0704  
 email: sales@prominent.us • www.prominent.us

© 2014 ProMinent Fluid Controls, Inc. All Rights Reserved.

PN: 7750418  
 Multiscrew\_Feeders.indd rev2 08/21/2014