

SINGLE POINT

RL1521A

Aluminum, Environmentally Sealed, NTEP Certified 1:5,000 Class III Single Cell, IP66

LOAD CELLS / WEIGH MODULES



APPROVALS



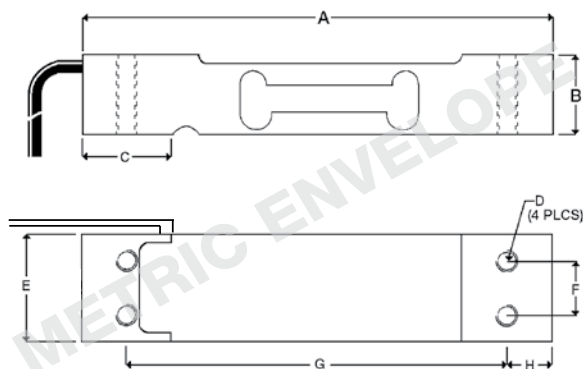
Dimension

Picture is a representation of actual products

Rated Capacity	A	B	C	D	E	F	G	H
kg/mm								
3-7	130.0	22.0	25.0	M6 x 1.0	25.4	15.0	106.0	12.0
10-30	130.0	22.0	25.0	M6 x 1.0	30.0	15.0	106.0	12.0
35	130.0	22.0	25.0	M6 x 1.0	40.0	15.0	106.0	12.0
lb/in								
6.6-15.4	5.12	0.87	0.99	M6 x 1.0	1.00	0.59	4.17	0.47
22.0-66.2	5.12	0.87	0.99	M6 x 1.0	1.18	0.59	4.17	0.47
77.2	5.12	0.87	0.99	M6 x 1.0	1.57	0.59	4.17	0.47

Order Information:

Load Rating	Part#	Est. Weight	Price
1.50 ft Cables			
3 kg	50620	1 lb	\$140.00
5 kg	50619	1 lb	\$140.00
7 kg	50621	1 lb	\$140.00
10 kg	50622	1 lb	\$140.00
15 kg	50623	1 lb	\$140.00
20 kg	50624	1 lb	\$140.00
30 kg	50625	1 lb	\$140.00
35 kg	50626	1 lb	\$140.00
10 ft Cables			
3 kg	132261	3 lb	\$140.00
5 kg	132262	3 lb	\$140.00
7 kg	132263	3 lb	\$140.00
10 kg	132264	3 lb	\$140.00
15 kg	132265	3 lb	\$140.00
20 kg	132266	3 lb	\$140.00
30 kg	132267	3 lb	\$140.00
35 kg	132268	3 lb	\$140.00



Interchangeable Products

VPG CELTRON®	
LPS except 3 kg	—
VPG TEDEA-HUNTLEIGH®	
1022	—
VPG BLH®	
C2G1	—
FAIRBANKS®	
4900 Series	
Checkweighers	—
NMB®	
C2G1	—
ARTECH®	
61022	—

Specifications

- Full Scale Output:** 2.0 mV/V
- Output Resistance:** 350 (± 3) ohm
- Input Resistance:** 410 (± 15) ohm
- Material/Finish:** Aluminum
- Temperature:** Compensated range 14°F to 104°F (-10°C to 40°C)
Operating range 0°F to 150°F (-18°C to 65°C)
- Seal Type:** Environmentally sealed, IP66
- Safe Overload:** 150% full scale
- Rated Excitation:** 5-10 VDC (15 V maximum)
- Combined Error:** 0.03% full scale
- Insulation Resistance:** 2,000 megohms
- Cable Length:** 1.50 ft (0.5 m)
10 ft (3.1 m)
- Cable Diameter:** 0.14 PVC jacket
- Cable Color Code:** Green +Excitation
Black -Excitation
Red +Signal
White -Signal
- Max Platform Size:** 13.75 in x 13.75 in
- Warranty:** Two-year limited warranty
- Approvals:** cFMus
NTEP

www.ricelake.com | Phone: 800-472-6703

RICELAKE