

RL-MPS-20 Mechanical Physician Scale

Lb and Kg

Specifications

Capacity:

440 lb x 4 oz (200 kg x 100 g)

Platform Dimensions:

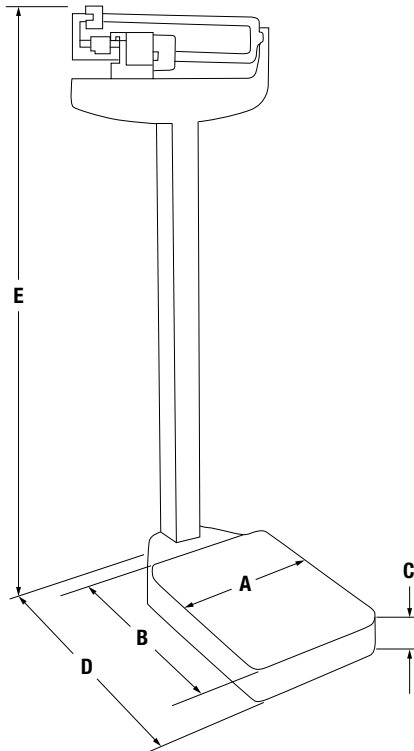
(W x L x H) 10.75 in x 14.75 in x 4.125 in

Warranty:

Two-year limited warranty



Model RL-MPS-20



Standard Features

- Sturdy, enameled steel body
- Painted beam
- Rugged scale understructure
- Easy operation with two sliding weights
- Removable slip-resistant scale base cover

Part Number/Price

Part #	Model #	Capacity	Price
124222	RL-MPS-20	440 lb x 4 oz (200 kg x 100 g)	\$255.00

Shipping Weight

Part #	Model #	L (in)	W (in)	H (in)	Package Wgt. (lb)	Dim Wgt. (lb)	Shipping Wgt. (lb)
124222	RL-MPS-20	60	21	7	36	64	64

Dimensions

	Inches	Centimeters
A	10.75	27.3
B	14.75	37.5
C	4.125	10.5
D	22.25	56.5
E	58.5	148.6

MEDICAL SCALES

www.ricelake.com | Phone: 800-472-6703

RICE LAKE

787