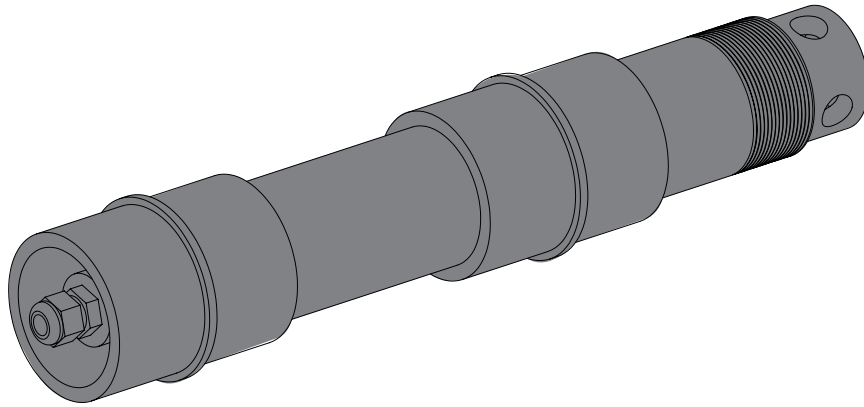


Submersible Sensor Holder

Light Duty Submersible Sensor Holder (CPVC)



The **CPVC Submersible Sensor Holder** and assembly are specifically designed for industrial and municipal wastewater applications. The sensor is to be mounted in open tanks, wastewater channels, and contact tanks with high flow and high turbulence. The submersible sensor holder can work with most **13.5mm** and **25mm ProMinent sensors**. This unit can be wired to any ProMinent Analyzer.

The CPVC submersible sensor holder allows for a complete watertight seal.



Part Numbers

- **7744008**
CPVC Submersible Sensor Holder – 25mm, 1-1/2" FNPT
- **7744693**
CPVC Submersible Sensor Holder – 13.5mm, 1-1/2" FNPT
- **7746172**
Pivot Bracket, for CPVC Submersible Sensor Holder
- (PVC pipe is not included)

Submersible Sensor Holder

Heavy Duty Submersible Sensor Holder (304SS)



The **Stainless Steel Submersible Sensor Holder** and assembly are specifically designed for industrial and municipal wastewater applications where the sensor is to be mounted in open tanks, wastewater channels and contact tanks where there is high flow and high turbulence environments. The submersible sensor holder can work with most **13.5mm** and **25mm ProMinent sensors**. This unit can be wired to any ProMinent Analyzer.

Submersible sensor holder is 304SS in construction and includes 30ft of 3/4" Black Tubing, 25ft. of Aircraft Cable and associated conduit fittings for a complete watertight seal.

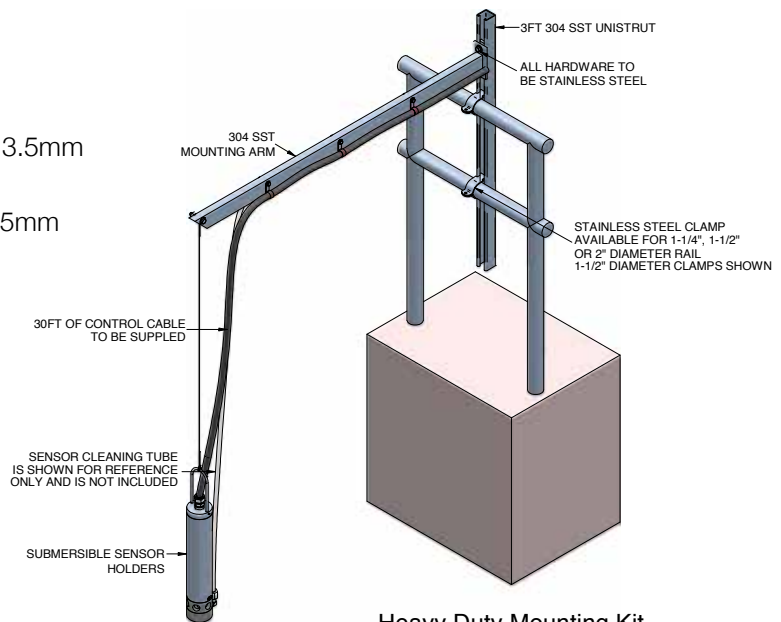
Mounting Kit includes 304SS Mounting Arm and Uni-strut to mount the bracket to existing rail structure.

Part Numbers

- **7746855**
304 SS Submersible Sensor Holder Complete – 13.5mm
- **7746856**
304 SS Submersible Sensor Holder Complete - 25mm
- **7746857**
Heavy Duty Submersible Sensor Mounting Kit

Options Available upon request

- Automatic Sensor Wash for in application probe head cleaning. For use with Heavy Duty Submersible Sensor Holder only and certain types of probes.



Heavy Duty Mounting Kit
ISOMETRIC VIEW