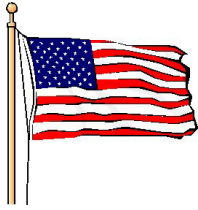


Mid-West[®] Instrument

“Diaphragm Type” Model 522



Differential Pressure Gauge & Switch

Range: 0-5 PSID to 0-50 PSID



0-25 PSID

Colored bands allow you to quickly identify pressure drop across element.

Divided into three sections, each clearly marked for ease of understanding. Used to indicate critical pressure drops or when to change or clean a filter.

Suited for use in Air, Gas, Dissimilar fluids, Wet Gas and process fluids with particulates present.

Gauge Features:

- Aluminum, 316 / 316L Stainless Steel and Acetal/Plastic Gauge Bodies
- Wetted Parts: 316 SS, Ceramic, & Acetal components
- Seal & Diaphragm Material: Buna-N (Viton available upon request)
- Safe Working Pressure: 1000 PSIG
- 1/4" FNPT Process Connections (End Connected)
- Weather-resistant construction standard.
- 2-1/2" Engineered Plastic Dial w/ Shatter Resistant Acrylic Lens

3 Color Dial Scale.

Green Clean / Yellow Change / Red Dirty

- (2)10-32 mounting holes on back of gauge body
1.75" apart x .330" Depth
- Accuracy $\pm 5\%$ Full Scale (ascending)

NOTE: Reverse pressure should be avoided.



0-10 PSID

Switch Option:

- Hermetically Sealed Switch
- (1) DIN 43650/IP65-PG9 NEMA 4X Plug-in Connector Switch**
Compression plug accepts 4.5 to 7mm cable
- “LA” = Output: SPDT, 3W, 0.25 Amp, 125 VAC/VDC
Switch Adjustable from 25%-75% of Full Scale Range
- “LE” = Output: SPST, 60W, 3 Amp, 240 VAC/VDC, Normally Open
Switch Adjustable from 40%-95% of Full Scale Range
- CE Marked & ROHS Compliant for conformance with the Low Voltage Directive(73/23/EEC)

**Product of the switching voltage & current shall not exceed 60W

Model 522 Series differential pressure gauge either conforms to/or are designed to the requirements of the following standards:

- ASME B1.20.1, ASME B40.100
- NEMA Std. 250, EN-61010-1
- UL Std. No. 50 & 508, CSA-C22.2 No. 14



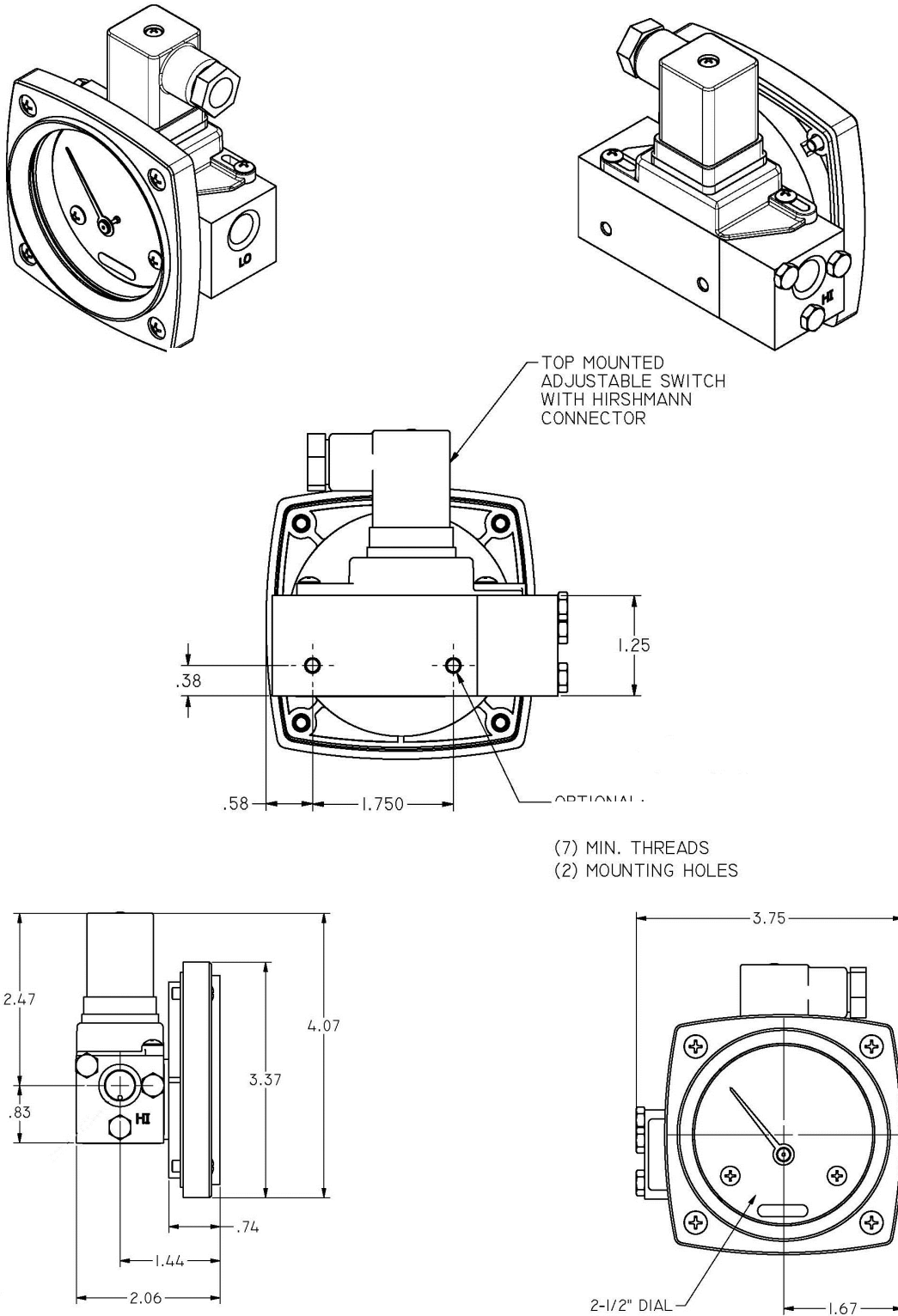
0-10 PSID with Switch



ALM. Model No.	Acetal Plastic Model No.	S.S. Model No.	PSID Range	Transition Points		
				Green Clean	Yellow Change	Red Dirty
BUNA-N Seal & Diaphragm						
522A-005	522P-005	522S-005	0-5	0-3.0	3.0-4.0	4.0-5.0
522A-010	522P-010	522S-010	0-10	0-5.0	5.0-7.0	7.0-10.0
522A-015	522P-015	522S-015	0-15	0-7.5	7.5-11.0	11.0-15.0
522A-020	522P-020	522S-020	0-20	0-10	10.0-15.0	15.0-20.0
522A-025	522P-025	522S-025	0-25	0-11.0	11.0-18.5	18.5-25.0
522A-030	522P-030	522S-030	0-30	0-13.0	13.0-20.0	20.0-30.0
522A-050	522P-050	522S-050	0-50	0-20	20.0-30.0	30.0-50.0
VITON Seal & Diaphragm						
522A-005V	522P-005V	522S-005V	0-5	0-3.0	3.0-4.0	4.0-5.0
522A-010V	522P-010V	522S-010V	0-10	0-5.0	5.0-7.0	7.0-10.0
522A-015V	522P-015V	522S-015V	0-15	0-7.5	7.5-11.0	11.0-15.0
522A-020V	522P-020V	522S-020V	0-20	0-10	10.0-15.0	15.0-20.0
522A-025V	522P-025V	522S-025V	0-25	0-11.0	11.0-18.5	18.5-25.0
522A-030V	522P-030V	522S-030V	0-30	0-13.0	13.0-20.0	20.0-30.0
522A-050V	522P-050V	522S-050V	0-50	0-20	20.0-30.0	30.0-50.0
BUNA-N Seal & Diaphragm with Switch						
522A-005-LA	522P-005-LA	522S-005-LA	0-5	0-3.0	3.0-4.0	4.0-5.0
522A-005-LE	522P-005-LE	522S-005-LE				
522A-010-LA	522P-010-LA	522S-010-LA	0-10	0-5.0	5.0-7.0	7.0-10.0
522A-010-LE	522P-010-LE	522S-010-LE				
522A-015-LA	522P-015-LA	522S-015-LA	0-15	0-7.5	7.5-11.0	11.0-15.0
522A-015-LE	522P-015-LE	522S-015-LE				
522A-020-LA	522P-020-LA	522S-020-LA	0-20	0-10	10.0-15.0	15.0-20.0
522A-020-LE	522P-020-LE	522S-020-LE				
522A-025-LA	522P-025-LA	522S-025-LA	0-25	0-11.0	11.0-18.5	18.5-25.0
522A-025-LE	522P-025-LE	522S-025-LE				
522A-030-LA	522P-030-LA	522S-030-LA	0-30	0-13.0	13.0-20.0	20.0-30.0
522A-030-LE	522P-030-LE	522S-030-LE				
522A-050-LA	522P-050-LA	522S-050-LA	0-50	0-20	20.0-30.0	30.0-50.0
522A-050-LE	522P-050-LE	522S-050-LE				
VITON Seal & Diaphragm with Switch						
522A-005V-LA	522P-005V-LA	522S-005V-LA	0-5	0-3.0	3.0-4.0	4.0-5.0
522A-005V-LE	522P-005V-LE	522S-005V-LE				
522A-010V-LA	522P-010V-LA	522S-010V-LA	0-10	0-5.0	5.0-7.0	7.0-10.0
522A-010V-LE	522P-010V-LE	522S-010V-LE				
522A-015V-LA	522P-015V-LA	522S-015V-LA	0-15	0-7.5	7.5-11.0	11.0-15.0
522A-015V-LE	522P-015V-LE	522S-015V-LE				
522A-020V-LA	522P-020V-LA	522S-020V-LA	0-20	0-10	10.0-15.0	15.0-20.0
522A-020V-LE	522P-020V-LE	522S-020V-LE				
522A-025V-LA	522P-025V-LA	522S-025V-LA	0-25	0-11.0	11.0-18.5	18.5-25.0
522A-025V-LE	522P-025V-LE	522S-025V-LE				
522A-030V-LA	522P-030V-LA	522S-030V-LA	0-30	0-13.0	13.0-20.0	20.0-30.0
522A-030V-LE	522P-030V-LE	522S-030V-LE				
522A-050V-LA	522P-050V-LA	522S-050V-LA	0-50	0-20	20.0-30.0	30.0-50.0
522A-050V-LE	522P-050V-LE	522S-050V-LE				

Operation: Differential pressure is sensed by flexible elastomer diaphragm and a calibrated spring. A magnetic coupling transmits the sensing element motion to an indicating pointer. This prohibits the possibility of fluid leaking into the gauge case, while assuring total isolation of the process fluid within the pressure capsule. The diaphragm assures total separation between high and low pressure signals.

Dimensional Drawings



Temperature Limits: -40 °F (-40° C) to 200°F (93°C). These limits are based on the entire instrument being saturated to these temperatures. System (process) temperatures may exceed these limitations with proper installation. Contact our customer service representative for details.