

Specifications

Power:

AC voltages: 100-240 VAC Frequency: 50-60 Hz
 DC voltages: 12-24 VDC
 Consumption: AC: 25W (universal) or 65W (others)
 DC: 25W for all models

Excitation Voltage:

10 ± VDC
 16 x 350Ω or 32 x 700Ω load cells per A/D card

Analog Signal Input Range:

-45 mV to +45 mV

Analog Signal Sensitivity:

0.3 µV/graduation minimum at 7.5 Hz
 1.0 µV/graduation recommended

A/D Sample Rate:

7.5 to 960 Hz, software selectable

Resolution:

Internal: 8 million counts/8,000,000
 Display: 1,000,000

System Linearity:

± 0.01% full scale

Digital I/O:

Six I/O channels on CPU board;
 Optional 24-channel I/O expansion boards

Communication Ports:

Four ports on CPU board support up to 115,200bps
 Port 1: Full duplex RS-232
 Port 2: RS-232 with CTS/RTS; PS/2 keyboard interface or USB type A and B connectors
 Port 3: Full duplex RS-232, 20mA
 Port 4: Full duplex RS-232, 2-wire RS-485, 20mA
 Optional dual-channel serial expansion boards
 Channel A: RS-232, RS-485, 20 mA
 Channel B: RS-232, 20 mA

Display:

(W x H) 4.6 in x 3.4 in (116 mm x 86 mm), 320 x 240 pixel LCD module with adjustable contrast.
 Transmissive display
 Transflective display (optional)

Keys/Buttons:

27-key membrane panel, tactile feel, PS/2 or USB port for external keyboard connection

Temperature Range:

Certified: 14°F to 104°F (-10°C to +40°C)
 Operating: 14°F to 122°F (-10°C to +50°C)

Weight:

Universal enclosure: 9.5 lb (4.3 kg)
 Wall mount enclosure: 23.0 lb (10.4 kg)
 Panel mount enclosure: 8.5 lb (3.9 kg)
 Deep universal: 11 lb (5.0 kg)

Rating/Material:

NEMA Type 4X, Type 12, IP66, stainless steel

Warranty:

Two-year limited warranty

EMC Immunity:

EN 50082 Part 2 IEC EN 61000-4-2, 3, 4, 5, 6, 8, and 11

Approvals:

NTEP CC 01-088, Class III/IIIL 10,000d
 Measurement Canada AM-5426,
 Class III/III HD 10,000d
 OIML approved 6,000/10,000, TC11584
 UL/cUL Listed (universal, deep and wall mount)
 UL/cUL Recognized (panel mount)
 UL/cUL Listed 508A (custom wall mount)
 CE Marked



Board Information:
 Previous CPU board is green in color
 Current CPU board is blue in color

Approvals



Measurement
 Canada
 Approved



Standard Features

- LCD display, (W x H) 4.6 in x 3.4 in
- Selectable character sizes from 0.25 in to 1.2 in
- 60 configurable operator prompts
- Display up to four scale channels per screen with required Legal for Trade information
- 32 scale accumulators
- Five softkeys with 10 user-defined, 14 preset functions per screen
- Ten programmable display screens
- Millivolt calibration, five-point linearization and geographical calibration
- NEMA Type 4X/IP66 stainless steel enclosure
- Selectable A/D measurement rate up to 960/second
- 100 setpoints, 30 configurable setpoint types
- Two slots for option cards
- 1,000-ID truck register for in/out weighing
- 64 K user on-board NV RAM
- User programmable 128 K flash memory
- Reflash memory to upgrade firmware
- Power for 16 350 -ohm load cells per A/D board
- Local-remote indicators
- Multi range/interval
- Alibi™ storage
- Audit trail tracking
- Peak hold
- Rate of change

USB Standard Features

- USB interface card on Port 2
- The USB card is supported on Rev L CPU boards or later
- The 920i for USB interface requires firmware version 5.0 or higher

Connector Types:

- Standard Type A: 920i connects to keyboard, ASCII font printers and flash drives
- Standard Type B: 920i connects to PC

USB Interface Functions:

- Supports weigh mode and configuration mode functions
- Supports upload of databases and .920 configuration file
- Supports download of databases, .920 configuration file, iRite, COD file and firmware file
- Sanity checks for command errors

Flash Drives:

- Supports USB 2.0
- Create sub directories by unit ID and database name
- Use the root directory for generic files

Optional Washdown Connectors:

- Sealed receptacle
- Connectors - cables
- USB cover - flash drive and receptacle

920i® Series

Programmable Weight Indicator/Controller



920i Universal Part Number/Price

Part #	Description	USB	Est. Weight	Price
Single-Channel				
67527 †	115 VAC		10 lb	\$2,175.00
115003 †	115 VAC	USB	10 lb	\$2,275.00
67615 †	230 VAC		10 lb	\$2,175.00
120062 †	230 VAC	USB	10 lb	\$2,275.00
69522 ††	230 VAC		10 lb	\$2,175.00
120074 ††	230 VAC	USB	10 lb	\$2,275.00
107713*	12-24 VDC, 25 watt		10 lb	\$2,275.00
120080*	12-24 VDC, 25 watt	USB	10 lb	\$2,375.00
Dual-Channel				
69767 †	115 VAC		10 lb	\$2,275.00
120086 †	115 VAC	USB	10 lb	\$2,375.00
69772 †	230 VAC		10 lb	\$2,275.00
120090 †	230 VAC	USB	10 lb	\$2,375.00
69774 ††	230 VAC		10 lb	\$2,275.00
120096 ††	230 VAC	USB	10 lb	\$2,375.00
No A/D Channel				
77790 †	115 VAC		10 lb	\$2,025.00
120100 †	115 VAC	USB	10 lb	\$2,125.00
77791 ††	230 VAC		10 lb	\$2,025.00
120104 ††	230 VAC	USB	10 lb	\$2,125.00

*DC/DC converter installed option, not UL approved



† US plug (NA) - Type B



†† Euro Plug - Type E

920i Deep Universal Part Number/Price

Part #	Description	USB	Est. Weight	Price
Single-Channel				
82455 †	115 VAC		12 lb	\$2,375.00
115004 †	115 VAC	USB	12 lb	\$2,475.00
82457 †	230 VAC		12 lb	\$2,375.00
120064 †	230 VAC	USB	12 lb	\$2,475.00
82459 ††	230 VAC		12 lb	\$2,375.00
120075 ††	230 VAC	USB	12 lb	\$2,475.00
107714*	12-24 VDC, 25 watt		12 lb	\$2,475.00
120081*	12-24 VDC, 25 watt	USB	12 lb	\$2,495.00
Dual-Channel				
82456 †	115 VAC		12 lb	\$2,475.00
120087 †	115 VAC	USB	12 lb	\$2,575.00
82458 †	230 VAC		12 lb	\$2,475.00
120092 †	230 VAC	USB	12 lb	\$2,575.00
82460 ††	230 VAC		12 lb	\$2,475.00
120097 ††	230 VAC	USB	12 lb	\$2,575.00
No A/D Channel				
93243 †	115 VAC		12 lb	\$2,225.00
120101 †	115 VAC	USB	12 lb	\$2,325.00
93244 ††	230 VAC		12 lb	\$2,225.00
120105 ††	230 VAC	USB	12 lb	\$2,325.00

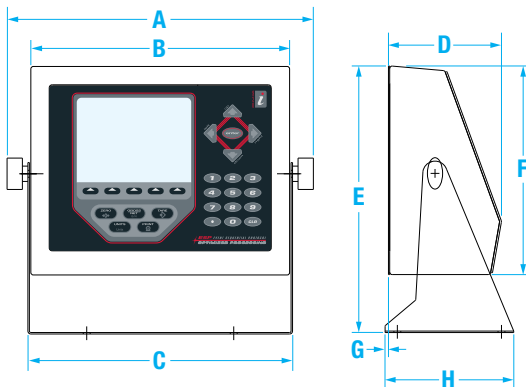
*DC/DC converter installed option, not UL approved



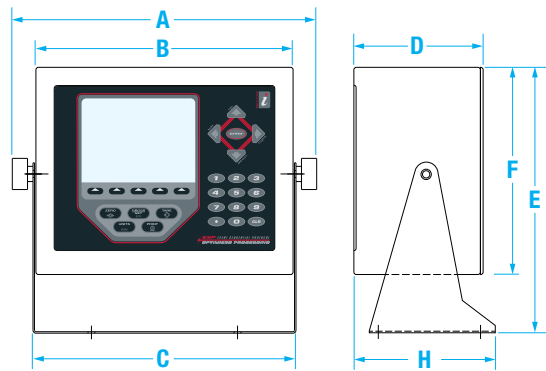
† US plug (NA) - Type B



†† Euro Plug - Type E



920i Universal Dimensions			
A	12.50 in (318 mm)	D	4.61 in (117 mm)
B	10.56 in (268 mm)	E	10.87 in (276 mm)
C	10.90 in (277 mm)	F	8.50 in (216 mm)
		G	0.14 in (3.5 mm)
		H	5.25 in (206 mm)



920i Deep Universal Dimensions			
A	12.50 in (318 mm)	D	5.36 in (216 mm)
B	10.76 in (273 mm)	E	10.87 in (276 mm)
C	10.90 in (277 mm)	F	8.50 in (216 mm)
		H	5.88 in (149 mm)

920i® Series

Programmable Weight Indicator/Controller



INDICATORS / CONTROLLERS

920i Wall Mount Part Number/Price

Part #	Description	USB	Est. Weight	Price
Single-Channel				
69763 †	115 VAC		23 lb	\$2,775.00
115005 †	115 VAC	USB	23 lb	\$2,875.00
69765 †	230 VAC		23 lb	\$2,775.00
120066 †	230 VAC	USB	23 lb	\$2,875.00
72133 ††	230 VAC		23 lb	\$2,775.00
120078 ††	230 VAC	USB	23 lb	\$2,875.00
107715*	12-24 VDC, 25 watt		23 lb	\$2,875.00
120082*	12-24 VDC, 25 watt	USB	23 lb	\$2,895.00
Dual-Channel				
69770 †	115 VAC		23 lb	\$2,875.00
120088 †	115 VAC	USB	23 lb	\$2,975.00
69776 †	230 VAC		23 lb	\$2,875.00
120093 †	230 VAC	USB	23 lb	\$2,975.00
72134 ††	230 VAC		23 lb	\$2,875.00
120098 ††	230 VAC	USB	23 lb	\$2,975.00
No A/D Channel				
77794 †	115 VAC		23 lb	\$2,625.00
120102 †	115 VAC	USB	23 lb	\$2,725.00
77795 ††	230 VAC		23 lb	\$2,625.00
120106 ††	230 VAC	USB	23 lb	\$2,725.00

*DC/DC converter installed option, not UL approved



† US plug (NA) - Type B



†† Euro Plug - Type E

920i Panel Mount Part Number/Price

Part #	Description	USB	Est. Weight	Price
Single-Channel				
69764 †	115 VAC		9 lb	\$2,175.00
115006 †	115 VAC	USB	9 lb	\$2,275.00
69766 †	230 VAC		9 lb	\$2,175.00
120069 †	230 VAC	USB	9 lb	\$2,275.00
72137 ††	230 VAC		9 lb	\$2,175.00
120079 ††	230 VAC	USB	9 lb	\$2,275.00
107716*	12-24 VDC, 25 watt		9 lb	\$2,275.00
120083*	12-24 VDC, 25 watt	USB	9 lb	\$2,375.00
Dual-Channel				
69771 †	115 VAC		9 lb	\$2,275.00
120089 †	115 VAC	USB	9 lb	\$2,375.00
69777 †	230 VAC		9 lb	\$2,275.00
120095 †	230 VAC	USB	9 lb	\$2,375.00
72138 ††	230 VAC		9 lb	\$2,275.00
120099 ††	230 VAC	USB	9 lb	\$2,375.00
No A/D Channel				
77792 †	115 VAC		9 lb	\$2,025.00
120103 †	115 VAC	USB	9 lb	\$2,125.00
77793 ††	230 VAC		9 lb	\$2,025.00
120107 ††	230 VAC	USB	9 lb	\$2,125.00

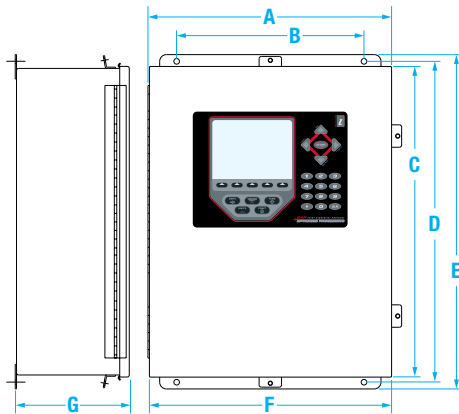
*DC/DC converter installed option, not UL approved



† US plug (NA) - Type B

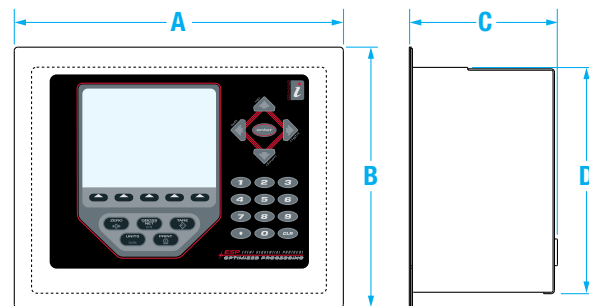


†† Euro Plug - Type E



920i Wall Mount Dimensions

A	14.30 in (363 mm)	D	18.84 in (479 mm)	F	14.30 in (363 mm)
B	11.00 in (279 mm)	E	19.63 in (499 mm)	G	6.75 in (171 mm)
C	18.20 in (462 mm)				



920i Panel Mount Dimensions

A	11.56 in (294 mm)	C	5.20 in (132 mm)
B	9.16 in (233 mm)	D	7.95 in (202 mm)

920i® Series

Programmable Weight Indicator/Controller

INDICATORS / CONTROLLERS

www.ricelake.com | Phone: 800-472-6703

RICE LAKE

Options/Accessories

Part #	Description	Price
Option Cards		
68532	A/D, single-channel	\$300.00
68533	A/D, dual-channel	\$450.00
67600	Memory, 1 MB NV RAM	\$285.00
67601	Digital I/O, 24-channel TTL output	\$285.00
67602	Analog output: selectable 0-10 V, 0-20 mA	\$310.00
103138	Analog output, dual-channel 0-10 V, 0-20 mA	\$535.00
67603	Pulse input, single-channel	\$285.00
67604	Serial port card, dual-channel, RS-232 and RS-485	\$335.00
87697	Analog input +/-10 VDC, 0-20 mA and thermocouple	\$600.00
Network Cards		
65383	Ethernet Thin Server (external)	\$295.00
71986	Ethernet TCP/IP 10/100 module (internal) page 567	\$400.00
98057	Wireless LAN module 802.11 b/g page 567	\$650.00
87803	EtherNet/IP® page 566	\$800.00
68539	Remote I/O interface page 564	\$675.00
68540	Profibus® DP interface page 564	\$675.00
187816	Profinet® I/O interface page 564	\$800.00
68541	DeviceNet™ interface page 565	\$675.00
103136	ControlNet™ interface page 566	\$1,000.00
Expansion Cards		
69782	Two-slot expansion board (wall mount)	\$300.00
71743	Two-slot expansion board (panel mount and deep universal)	\$300.00
179488	Two-slot expansion board (wall mount DC powered)	\$300.00
180047	Two-slot expansion board (deep universal and panel mount, DC powered)	\$300.00
69783	Six-slot expansion board (wall mount)	\$400.00
Hardware		
83569	Clear protective overlay (package of 5)	\$75.00
70056	Cable, DB9M to DB9F, Straight Cable	\$35.00
99149	Keyboard, QWERTY 109-key USB, flexible, washable	\$135.00
77788	Fiber optic board, installed in 920i	\$200.00
92777	Filter, PreVent™ vent kit PG 7 cord grip	\$30.00
19368	Start/stop controls without box, for use on wall mount	\$395.00
19369	Start/stop switch with FRP box	\$395.00
Manuals and Software		
69781	iRev™ scale software	\$95.00
72809	920i interchange® database software	\$295.00
67887	Additional installation manual	\$35.00
67888	Additional programming reference	\$35.00
Primary Component Parts		
186272***	CPU board assembly for LED backlight, (blue color)	\$975.00
186275***	Display board, LED back light, transmissive	\$275.00
186276***	Display board, LED back light, transreflective	\$275.00
67613	AC power supply, 25 watt for universal	\$150.00
71333	AC power supply, 65 watt for deep, panel and wall mount	\$175.00
132791	Power supply 12-24VDC, 25 watt	\$195.00
66502	Switch panel membrane	\$68.00

***Design change in 2018 to LED backlight display. See replacement parts for CCFL backlight display and green CPU board Rev N or older.

The LED backlight display can be used with green CPU board Rev N or older by replacing the power supply cable. Universal 186464 (AC) 186464 (DC); Deep universal 186278 (AC) 187603 (DC); Panel 186278 (AC) 187603 (DC); Wall 186760 (AC) 188345 (DC); Two-slot expansion for wall 188716 (AC) 189424 (DC); Two-slot expansion panel for deep universal 188717 (AC) 189425 (DC); Six-slot expansion for wall 188774 (AC).

To have your option factory installed, please specify when placing your order.

Options/Accessories

Part #	Description	Connector Type				Price
		Sealed		Unsealed		
USB Cable Options		A	B	A	B	
Note: Connector is a male plug						
79074	Unsealed connectors USB-A to USB-B, 2 m cable			X	X	\$30.00
124700	Sealed connectors, USB-A to USB-B, 3 m IP68 cable	X	X			\$85.00
126477	Sealed connector USB-A to unsealed connector USB-A, 3 m IP68 cable	X		X		\$85.00
124701	Sealed connector USB-A to unsealed connector USB-B, 3 m IP68 cable	X			X	\$85.00
124702	Sealed connector USB-B to unsealed connector USB-A, 3 m IP68 cable		X	X		\$85.00
124695	Panel plug 1.125 in diameter					\$6.00
USB Receptacles						
Note: Receptacle is a socket						
		Sealed		Unsealed		
126476	Sealed receptacle USB-A for wall mount, 0.5 m cable	X		X		\$85.00
124703	Sealed receptacle USB-A to unsealed connector USB-B, 0.5 m cable	X			X	\$85.00
124704	Sealed receptacle USB-B to unsealed connector USB-B, 0.5 m cable		X		X	\$85.00
125998*	Sealed receptacle USB-A to five-pin connector, 0.28 m cable (internal to 920i)	X				\$85.00
125999*	Sealed receptacle USB-B to five-pin connector, 0.28 m cable (internal to 920i)	X				\$85.00
124694	Cover for sealed receptacles					\$12.00
124689	Cover for flash driver mounts on sealed receptacle					\$23.00
125077	Rice Lake USB flash drive, 1 GB					\$20.00
Ethernet Cables						
		Sealed		Unsealed		
124706	Sealed to sealed, 3 m cable	X				\$85.00
124707	Sealed to unsealed connector, 3 m cable	X		X		\$85.00
Ethernet Receptacles						
		Sealed		Unsealed		
126353*	RJ-45 receptacle sealed, 0.28 m internal to 920i (requires Ethernet TCP/IP option installed)	X				\$85.00

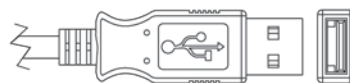
*These options require a milled back plate which has two cutouts. If ordering only one receptacle, a plug (PN 124695) is required for the second cutout. USB enclosure parts with cutout: PN 119891 (Universal) PN 115118 (Universal Deep) PN 126585 (Wall Mount)

To have your option factory installed, please specify when placing your order.

Unsealed Connectors

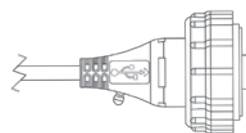


Type B

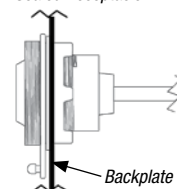


Type A

Sealed Connector



Sealed Receptacle



Grayhill Relays and Racks

Part #	Description	Price
52332	Two-channel input relay, 2.5-28VDC	\$45.00
52318	Two-channel input relay, 120 VAC	\$45.00
52319	Two-channel input relay, 240 VAC	\$45.00
52331	Two-channel input relay, 10-32 VDC	\$45.00
52316	Two-channel output relay, 120-140 VAC at 2 amp	\$45.00
52317	Two-channel output relay, 240-280 VAC at 7 amp	\$45.00
71376	Two-channel output relay, 3-60 VDC at 1 amp	\$65.00
71377	Two-channel output relay, 0-200 VDC/VAC at 1.5A/10W (dry contact)	\$85.00
84698	Two-channel output relay, inductive load, 120-140 VAC at 2A	\$65.00
84699	Two-channel output relay, inductive load, 240-280 VAC at 2A	\$65.00
54215	Fuse, 3.15 amp, Grayhill	\$4.00
52312	Eight-channel relay rack, panel mount and wall mount, requires 50-pin flat or round ribbon cable - 4 slots	\$165.00
52314	16-channel relay rack, panel mount and wall mount, requires 50-pin flat or round ribbon cable - 8 slots	\$245.00
52315	24-channel relay rack, panel mount and wall mount, requires 50-pin flat or round ribbon cable - 12 slots	\$375.00
46189	Jumper strap, 10 position for Grayhill	\$5.00
108396	Digital input 5 VDC, 15-30 VAC/10-32 VDC	\$35.00
108397	Digital output 5VDC, 3-60 VDC	\$35.00
70780	Cable, 50-Pin flat ribbon for digital I/O, 24 in	\$50.00
70779	Cable, 50-Pin round ribbon for digital I/O with cord grip, 60 in	\$155.00
72442	Cable, 50-Pin round ribbon for digital I/O without cord grip, 60 in	\$150.00
93577	Cable, 50-Pin flat ribbon for digital I/O, 31 in	\$65.00
94384	Cable, 50-Pin flat ribbon for digital I/O, 50 in	\$65.00



8-channel relay rack PN 52312



16-channel relay rack PN 52314



24-channel relay rack PN 52315



OPTO 22 G4 PN-15973

OPTO 22 Relays and Racks

Part #	Description	Price
15969	G4IDC5 10-32VDC input relay module, white (N/O)	\$35.00
15970	G40DC5R dry contact 100 VDC/1.5A output, red (N/O)	\$35.00
22848	G40DC5R5 dry contact 100 VDC/1.5A output, red (N/C)	\$35.00
15971	G40AC5 115 VAC output relay module, black (N/O)	\$35.00
15972	G4IAC5 115 VAC input relay module, yellow (N/O)	\$35.00
22847	G40AC5A5 115/230 VAC output relay module, black (N/C)	\$35.00
36632	G40AC5A 115/230 VAC output relay module, black (N/O)	\$35.00
36631	G4IAC5A 230 VAC input relay module, yellow (N/O)	\$35.00
16478	Quencharc arc suppressor	\$11.00
101923	FRP enclosure with Opto four-channel rack	\$235.00
15973	Four-channel relay rack, 3.25 x 3.25 in	\$100.00
45408	Four-channel relay rack 6.1 x 1.2 in	\$150.00
33206	16-channel relay rack	\$185.00
33205	24-channel relay rack	\$315.00
99032	Adapter plate, for four-channel Opto rack 33490	\$5.00
26834	Fuse, 1A 250V (for PN 15970 and PN 22848)	\$7.50
21735	Fuse, 4A 250V (for PN 15971, PN 22847 and PN 36632)	\$10.00



OPTO 22 16-channel relay rack



OPTO 22 24-channel relay rack



OPTO 22 G4 PN-45408