

560-10-1 Digital Chair Scale

20 Inch Wide Seat



Model 560-10-1



Specifications

Capacity:

660 lb x 0.2 lb (300 kg x 0.1 kg)

Power:

9 VDC provided by six AA alkaline batteries (included) or 120 V/230 VAC adaptor (optional)

Display:

5-digit LCD display, 0.75 in (1.9 mm) digit height

Battery Type:

Six AA alkaline (included)

Battery Use:

25 hours continuous use with batteries
Automatic power-off can be configured

Warranty:

Two-year limited warranty

Standard Features

- Enameled tubular steel frame
- Four heavy-duty caster wheels (rear wheels locking)
- Lift-away arms
- One and a half foot -wide molded plastic seat
- Side-folding footrests
- Push-button LCD display
- BMI (body mass index) function
- Hold function
- Units of measure: lb only, kg only, lb/kg
- Motiontrap™ movement compensation technology
- EHR capable

Part Number/Price

Part #	Model #	Capacity	Price
166644	560-10-1	660 lb x 0.2 lb (300 kg x 0.1 kg)	\$1,046.00

Shipping Weight

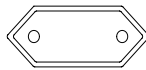
Part #	Model #	L (in)	W (in)	H (in)	Package Wgt. (lb)	Dim Wgt. (lb)	Shipping Wgt. (lb)
166644	560-10-1	33	23	27	65	148	148

Options/Accessories

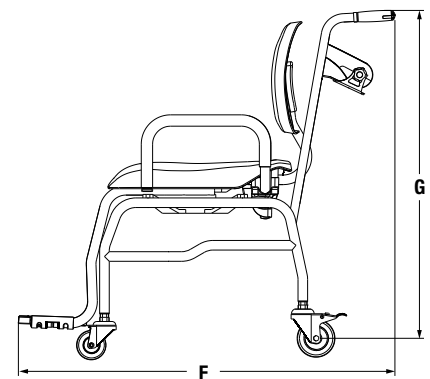
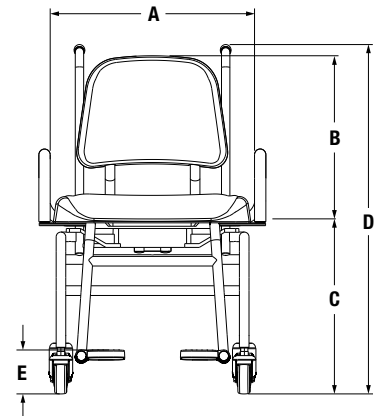
Part #	Description	Price
133077 †	9 VDC adaptor, 120 V/230V auto switching	\$15.00
102508 ††	9 VDC adaptor, 230 V	\$20.00
81076	Epson TM-U220 tape printer	\$420.00
186830	Printer cable, 25-pin D-Sub male to RJ-45, 6 ft	\$65.00



† NEMA 1-15 Plug



†† CEE 7/16 Plug



Dimensions

	Inches	Centimeters
A	20.1	51.0
B	17.3	44.0
C	20.1	51.0
D	36.4	92.5
E	5.9	15.0
F	42.9	109.0
G	34.6	88.0