

ProMdry™ Dry Chemical Feed System

Compact Dry Chemical Feed Package



ProMdry™ System

The ProMdry™ system is designed to mix dry chemicals into solution prior to adding to the water treatment process. The volumetric feeder dispenses dry chemical into the mix tank while the flow switch is monitoring water entering the mix tank. The dry chemical and the water are introduced directly into the prop style tank mixer, where they are mixed into solution. The solution is then drawn from the opposite side of the tank to the process.

Features & Benefits

- Rugged PE volumetric feeder with internal arch breaker
- Can be configured as a batching system or as an in-line feed system
- Corrosion resistant 35 gallon fiberglass tank
- Fully automated control
- Integral level switches, water on/off solenoid, mixer and variable speed volumetric feeder.
- NEMA 4X
- Remote start input, alarm status output relay
- Corrosion resistant 316 SS mixer shaft and mixing prop

Applications

- Municipal water treatment
- Hydrated lime
- Soda ash
- Sodium bicarbonate
- Activated carbon
- Compatible with most dry chemicals (consult factory)

ProMdry™ Dry Chemical Feed System

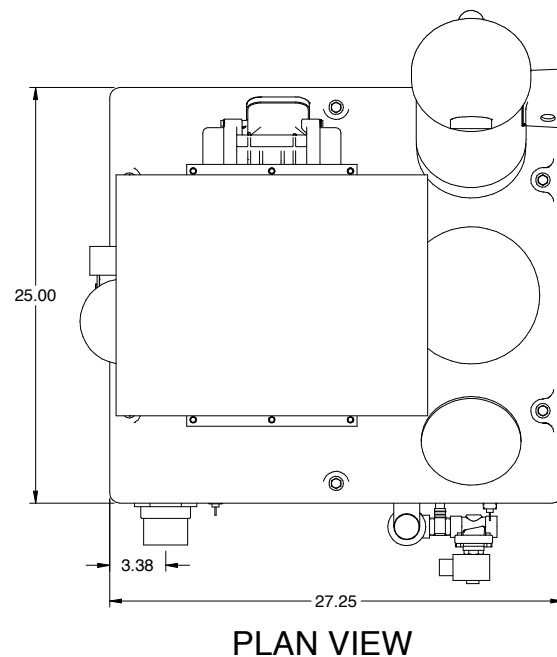
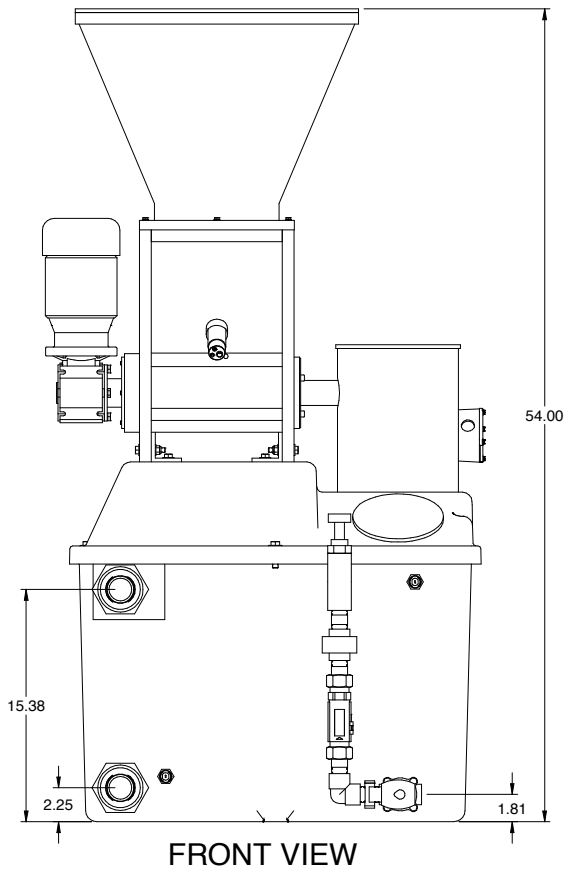
Specifications

- Water Flow: up to 15USGPM at 30psid
- Dry Feed Rate: up to 2.87 cu ft / hour (depends on desired/maximum concentration)
- Solution Output Flow: up to 15USGPM
- Power input: 120VAC, 1 phase, 60Hz, 20 Amp

Materials of Construction

- Mix Tank and Cover: FRP (Fiberglass Reinforced Polyester) 35 US Gallons
- Volumetric Feeder: Polyethylene housing, 304SS feed screw and discharge spout
- Control Panel: NEMA 4X Polycarbonate
- Tank Mixer: 316 SS propeller and shaft
- Various tank sizes and hoppers available in PE and SS

Technical Diagrams



ProMdry Fluid Controls, Inc.
136 Industry Drive • Pittsburgh, PA 15275 USA
(412) 787-2484 • Fax: (412) 787-0704
email: sales-US@prominent.com www.prominent.us

© 2016 ProMdry Fluid Controls, Inc.
All Rights Reserved.

PN: 7750267
ProMdry.indd rev.1 10/31/2014