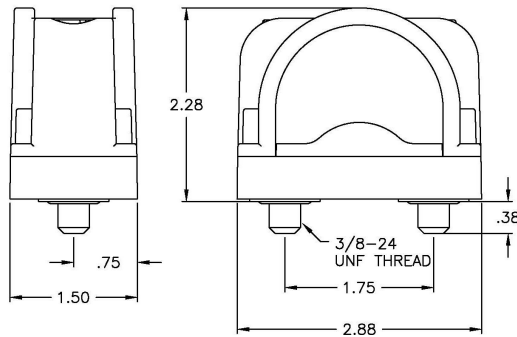


Mid-West[®] Instrument

O.E.M “Diaphragm Type” Differential Pressure Indicator Model 555

Colored bands allow you to quickly identify pressure drop across element.
Divided into three sections, each clearly marked for ease of understanding. Commonly used to indicate when to change or clean a filter. **Example:** 555A-10.0 changes from green to yellow at 5 PSID and from yellow to red at 7.5 PSID. Accuracy is $\pm 5\%$ Full Scale



Model No. Buna-N	Model No. Viton	DP Range	Transition Points		
			Green	Yellow	Red
555A-3.5	555A-3.5V	0-3 PSID	0-2.0	2.0-2.5	2.5-3.5
555A-5.0	555A-5.0V	0-5 PSID	0-3.0	3.0-4.5	4.5-5.0
555A-10.0	555A-10.0V	0-10 PSID	0-5.0	5.0-7.5	7.5-10.0
555A-12.0	555A-12.0V	0-12 PSID	0-6.0	6.0-9.0	9.0-12.0
555A-15.0	555A-15.0V	0-15 PSID	0-7.5	7.5-12.0	12.0-15.0
555A-20.0	555A-20.0V	0-20 PSID	0-10.0	10.0-15.5	15.5-20.0
555A-25.0	555A-25.0V	0-25 PSID	0-11.0	11.0-18.5	18.5-25.0
555A-30.0	555A-30.0V	0-30 PSID	0-13.0	13.0-20.0	20.0-30.0
555A-43.0	555A-43.0V	0-43 PSID	0-19.5	19.5-29.5	29.5-43.0

50 Pieces
Minimum
Order Quantity

OEM
Applications
Please call with
specifications.

SPECIFICATIONS:		Comments:
Pressure (Ratings)		
Maximum Working	300 PSIG	
Maximum Differential	50 PSID	
Accuracy	$\pm 5\%$ of Rated Differential Pressure Range	Calibrated at Color Transitions
Operating Temperature (Max.)	93°C (200°F)	
Materials of Construction		
Body Material	Glass Filled Nylon (GFN)	
Wetted Internals	Stainless Steel, Ceramic, & GFN	
Elastomers	Buna or Viton	
Movement	Magnetic Piston and Follower Pointer	
Dial	Plastic Lens with 3 Color Dial	
INTERFACE:		
Process Connection:	<p>1/4" FNPT End Connections.</p> <p>To switch HIGH and LOW pressure connections: Remove Indicator from base and rotate 180° - Retighten plastic bolts to 20-25 inch pounds.</p>	Flow Direction Identified on Dial. Arrow Points to Low Pressure Port.