

## RL9000TWM Series

Tank, Hopper and Vessel Weighing Assembly



Picture is a representation of actual product.

The RL9000TWM Series stainless steel weigh module is ideal for use in tank, hopper, vessel and many other applications. The low-profile design offers an economical solution in a competitive marketplace. This rugged, high-precision mount is designed for easy installation and does not require check rods or other stabilizing hardware. The stainless steel construction and welded-seal offer additional protection in washdown areas.

### Specifications

**Full Scale Output:**  
3 ( $\pm$  0.1%)mV/V

**Bridge Resistance:**  
350 ohms

**Material/Finish:**  
Stainless steel

**Operating Temperature:**  
0° to 150° F

**Seal Type:**  
Welded-seal, IP67

**Safe Overload:**  
150% Full scale

**Rated Excitation:**  
5-10 VDC

**Insulation Resistance:**  
5,000 megohms

**Non-linearity:**  
1 k-100 k 0.05% FS  
150 k-450 k 0.1% FS

**Non-repeatability:**  
1 k-100 k 0.02% FS  
150 k-450 k 0.03% FS

**Cable Length:**  
25 ft

**Cable Color Code:**  
Green +Excitation  
Black -Excitation  
White +Signal  
Red -Signal

**Warranty:**  
Two-year limited



Assembly with integral  
RL9000TWM compression disk load cell.

### Complete Kit Includes

- One JB4SS NEMA Type 4X stainless steel signal trim junction box
- Three or four stainless steel mounting assemblies
- 25 ft of our hostile environment EL147HE SURVIVOR® load cell cable

### Standard Features

- Capacities: 1,000lb-450,000lb
- Very low profile design
- 3mV/V output
- Self-centering
- Self-checking assembly
- Offers 100% sideload, 100% uplift and 150% static safe load and 300% ultimate static overload protection
- Stainless steel construction
- Welded seal
- Weighs accurately with as much as a 3° non-parallel load
- Includes 25ft load cell cable

### Applications

- Tank, hopper or vessel weighing

### Optional Features

- Stainless steel top plates (150,000lb-450,000 lb have mild steel painted base plate)

### Load Cell Certifications



**RL9000TWM Series**

Tank, Hopper and Vessel Weighing Assembly

**Order Information**

Load Rating (Per Module)	Part #	Price
<b>Single Module</b>		
1,000 lb	84353	\$650.00
2,500 lb	84354	\$650.00
5,000 lb	84355	\$650.00
10,000 lb	84356	\$650.00
15,000 lb	84357	\$650.00
20,000 lb	84358	\$1,265.00
25,000 lb	84359	\$1,265.00
35,000 lb	84360	\$1,265.00
50,000 lb	84361	\$1,265.00
60,000 lb	84362	\$2,165.00
75,000 lb	84363	\$2,165.00
100,000 lb	84364	\$2,165.00
150,000 lb	84365	\$4,485.00
200,000 lb	84366	\$4,485.00
250,000 lb	84368	\$6,615.00
300,000 lb	84369	\$6,615.00
400,000 lb	84370	\$6,615.00
450,000 lb	84371	\$6,615.00
<b>3-Module Kit</b>		
1,000 lb	98974	\$2,175.00
2,500 lb	98980	\$2,175.00
5,000 lb	98981	\$2,175.00
10,000 lb	98982	\$2,175.00
15,000 lb	98983	\$2,175.00
20,000 lb	98984	\$4,020.00
25,000 lb	98985	\$4,020.00
35,000 lb	98986	\$4,020.00
50,000 lb	98987	\$4,020.00
60,000 lb	98988	\$6,660.00
75,000 lb	98989	\$6,660.00
100,000 lb	98990	\$6,660.00
150,000 lb	98991	\$13,590.00
200,000 lb	98992	\$13,590.00
250,000 lb	98993	\$20,010.00
300,000 lb	98994	\$20,010.00
400,000 lb	98995	\$20,010.00
450,000 lb	98996	\$20,010.00
<b>4-Module Kit</b>		
1,000 lb	98997	\$2,730.00
2,500 lb	98998	\$2,730.00
5,000 lb	98999	\$2,730.00
10,000 lb	99000	\$2,730.00
15,000 lb	99001	\$2,730.00
20,000 lb	99002	\$5,190.00
25,000 lb	99003	\$5,190.00
35,000 lb	99004	\$5,190.00
50,000 lb	99005	\$5,190.00
60,000 lb	99006	\$8,750.00
75,000 lb	99007	\$8,750.00
100,000 lb	99008	\$8,750.00
150,000 lb	99009	\$17,975.00
200,000 lb	99010	\$17,975.00
250,000 lb	99011	\$26,510.00
300,000 lb	99012	\$26,510.00
400,000 lb	99013	\$26,510.00
450,000 lb	99014	\$26,510.00

150,000 lb-450,000 lb have mild steel painted base plates

Load Rating (Per Module)	Part #	Price
<b>Top Plates (Stainless Steel) with bolts</b>		
1,000 lb-15,000 lb	91207	\$150.00
20,000 lb-50,000 lb	91210	\$325.00
60,000 lb-100,000 lb	91211	\$695.00
150,000 lb-200,000 lb	91213	\$895.00
250,000 lb-450,000 lb	91215	\$1,695.00
<b>Top Plates (Mild Steel) with bolts</b>		
1,000 lb-15,000 lb	124758	\$75.00
20,000 lb-50,000 lb	125141	\$145.00
60,000 lb-100,000 lb	124759	\$195.00
150,000 lb-200,000 lb	124760	\$325.00
250,000 lb-450,000 lb	124761	\$425.00
<b>Dummy Weigh Modules (non-functioning)</b>		
1,000 lb-10,000 lb	158749	\$95.00
15,000 lb	158750	\$125.00
20,000 lb-50,000 lb	158752	\$135.00
60,000 lb-100,000 lb	158753	\$150.00
150,000 lb-200,000 lb	158754	\$395.00
250,000 lb-450,000 lb	158755	\$425.00

150,000 lb-450,000 lb have mild steel painted base plates

**Shims\* - Order Information**

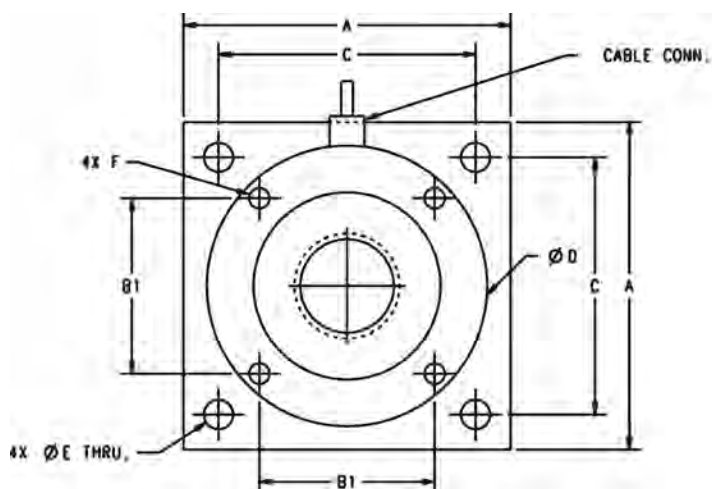
Capacity	Thickness	Material	Part #	Price
<b>Shims</b>				
1,000 lb-15,000 lb	0.0625	SST	167001	\$2.25
1,000 lb-15,000 lb	0.125	SST	167002	\$3.50
1,000 lb-15,000 lb	0.250	SST	167003	\$6.15
1,000 lb-15,000 lb	0.0625	MS	167004	\$1.75
1,000 lb-15,000 lb	0.125	MS	167005	\$2.15
1,000 lb-15,000 lb	0.250	MS	167006	\$2.75
20,000 lb-50,000 lb	0.0625	SST	167008	\$4.10
20,000 lb-50,000 lb	0.125	SST	167009	\$6.05
20,000 lb-50,000 lb	0.250	SST	167010	\$13.25
20,000 lb-50,000 lb	0.0625	MS	167011	\$2.65
20,000 lb-50,000 lb	0.125	MS	167012	\$2.35
20,000 lb-50,000 lb	0.250	MS	167013	\$3.50
60,000 lb-100,000 lb	0.0625	SST	167014	\$4.75
60,000 lb-100,000 lb	0.125	SST	167015	\$16.15
60,000 lb-100,000 lb	0.250	SST	167016	\$26.25
150,000 lb-200,000 lb	0.0625	SST	167020	\$9.25
150,000 lb-200,000 lb	0.125	SST	167021	\$14.95
150,000 lb-200,000 lb	0.250	SST	167022	\$35.75
250,000 lb-450,000 lb	0.0625	SST	167026	\$15.75
250,000 lb-450,000 lb	0.125	SST	167027	\$19.75
250,000 lb-450,000 lb	0.250	SST	167028	\$45.00

SST Stainless steel MS Mild steel

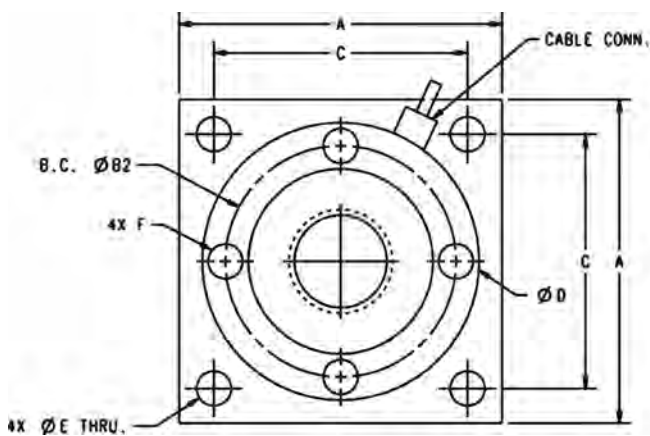
\*Shims match dimensions of base plate and optional top plate

**RL9000TWM Series**

Tank, Hopper and Vessel Weighing Assembly

**Dimensions (inches)**

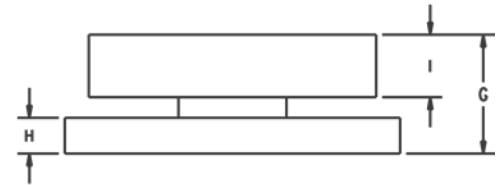
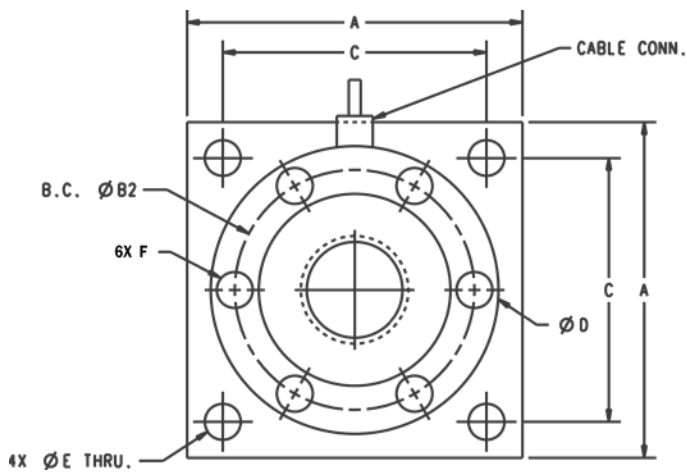
Rated Capacity lb/in	A	B1	C	D	E	F	G	H	I	Conduit Adapter
1,000-10,000	4.00	2.00	3.25	3.50	0.40	3/8-16 UNC	1.35	0.375	0.75	N/A
15,000	4.00	2.00	3.25	3.50	0.40	3/8-16 UNC	1.60	0.625	0.75	N/A
20,000-50,000	7.00	3.75	5.50	6.00	0.63	1/2-13 UNC	2.48	0.75	1.30	1/2-14 NPT
60,000-100,000	8.00	4.25	6.50	7.00	0.81	3/4-16 UNC	2.50	1.00	1.30	1/2-14 NPT

**Dimensions (inches)**

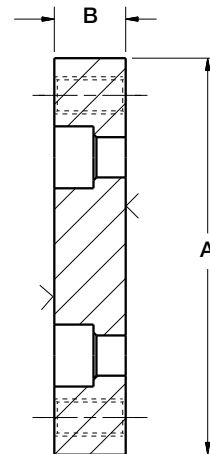
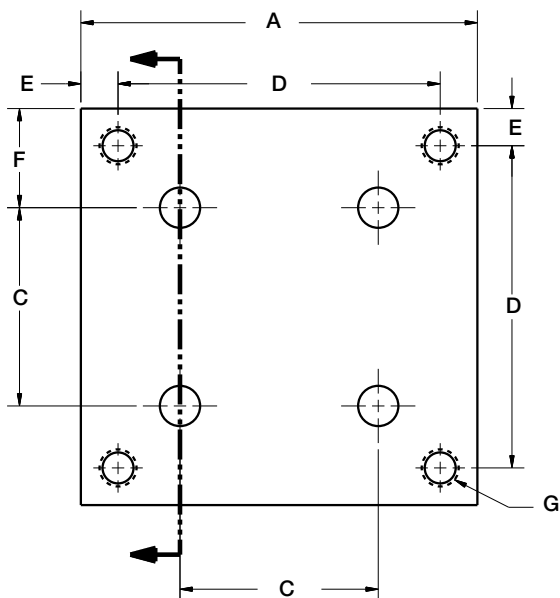
Rated Capacity lb/in	A	B2	C	D	E	F	G	H	I	Conduit Adapter
150,000-200,000	10.0	7.825	8.00	9.00	1.10	1-14 UNF	4.75	2.00	1.70	1/2-14 NPT

**RL9000TWM Series**

Tank, Hopper and Vessel Weighing Assembly

**Dimensions**

Rated Capacity lb/in	A	B2	C	D	E	F	G	H	I	Conduit Adapter
250,000-450,000	11.00	7.75	9.00	9.00	1.30	7/8-14 UNF	6.42	3.00	2.25	1/2-14 NPT

**Optional Top Plates****Dimensions**

Rated Capacity lb/in	A	B	C	D	E	F	G
1,000-15,000	4.00	0.72	2.00	3.25	0.38	1.00	3/8-16 UNC
20,000-50,000	7.00	0.97	3.75	5.50	0.75	1.62	5/8-11 UNC
60,000-100,000	8.00	1.46	4.25	6.50	0.75	1.88	3/4-16 UNF
150,000-200,000	10.00	1.94	5.53	8.00	1.00	2.25	1-14 UNS
250,000-450,000	11.00	2.94	7.75 B.C.	9.00	1.00	1.00	1-1/4-12 UNF