

# Pre-engineered Systems

## Single pump

Pre-engineered solutions!



*ProMinent® is your sole source provider for complete chemical metering systems. The heart of every system is the metering pump. ProMinent® metering pumps are the best engineered and most reliable in today's market. In addition, every system is engineered and designed from the ground up.*

*ProMinent® offers a variety of pre-engineered chemical feed and control systems.*

*Pre-engineered systems are fully assembled and tested; guaranteeing a fully functional and high quality system package upon delivery.*

*Single pump designs accommodate **beta®**, **gamma/ L**, **delta®**, and **sigma** series pumps. Feed rates up to 264 gph (1000 l/h).*

### Features & Benefits

- Plug & Play for quick and easy installations
- Lead times as short as 1-3 weeks
- Designs for handling off-gassing chemicals
- Easy access to pump liquid end for on-site repair and retrofitting
- Optional UL listed and labelled control panels (US)
- Proven design based on 10+ years of experience

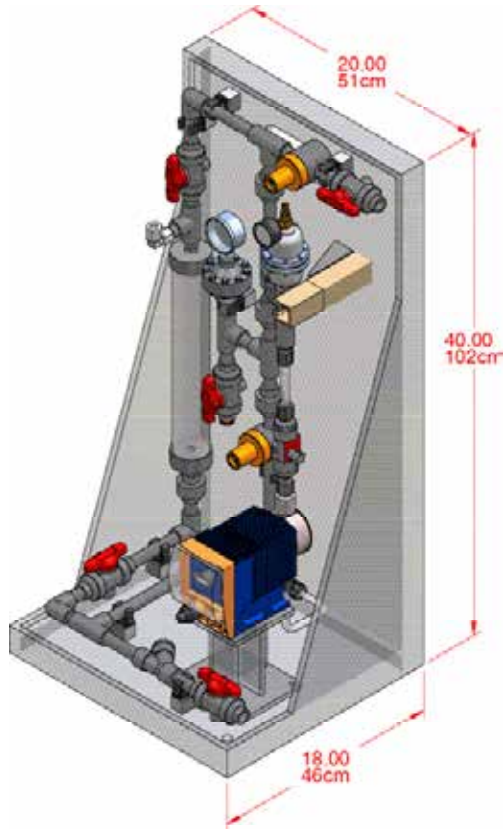
ProMinent®



# Pre-engineered Systems

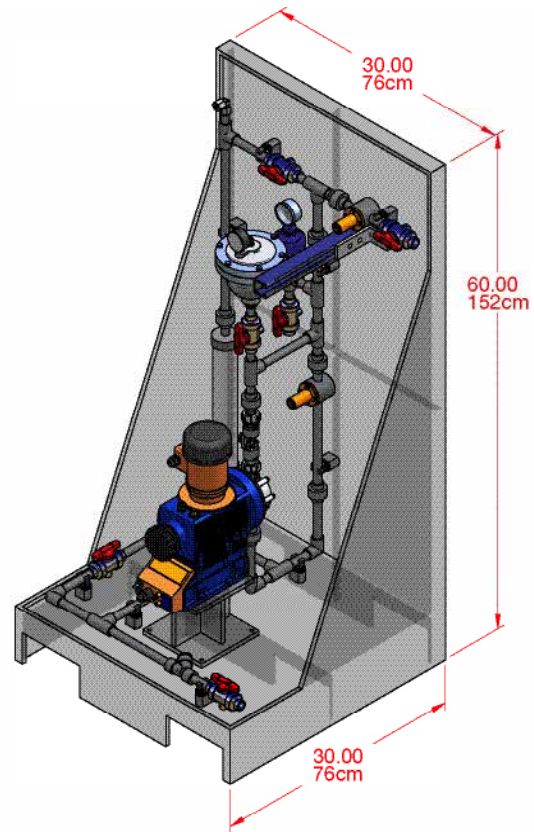
## Single pump

Solutions that work!



**SS1:** for Beta®, Gamma/ L, and delta® series pumps

Drawings depict item #4 described below



**MS1:** for Sigma/ 1, Sigma/ 2 and Sigma/ 3 series pumps

### Standard Skid Packages, Sizes and Material Configurations

#### Standard Skid Packages:

1. Wye Strainer, Calibration Column, Backpressure Valve, Pressure Relief Valve, Pressure Gauge (motor skids must have dampener)
2. ALL OF THE ABOVE + Flow Monitor
3. ALL OF THE ABOVE + Pulsation Dampener
4. ALL OF THE ABOVE + Flow Monitor & Pulsation Dampeners

#### Sizes:

- SS1: 1/2" MNPT
- MS1: 1/2" MNPT  
3/4" MNPT  
1" MNPT  
1-1/2" MNPT

#### Materials:

- PVC/Viton® (socket weld)
- PVC/EPDM (socket weld)
- CPVC/Viton®/Vented (socket weld)
- PVDF/PTFE (fusion weld)



**ProMinent Fluid Controls, Inc.**  
136 Industry Drive • Pittsburgh, PA 15275 USA  
(412) 787-2484 • Fax: (412) 787-0704  
email: sales@prominent.us • [www.prominent.us](http://www.prominent.us)

© 2013 ProMinent Fluid Controls, Inc. All Rights Reserved.

PN: 7750400  
PES\_Single.indd rev1 08/07/2013