

# RL1521A

Aluminum, Environmentally Sealed, NTEP Certified 1:5,000 Class III Single Cell, IP66



## APPROVALS



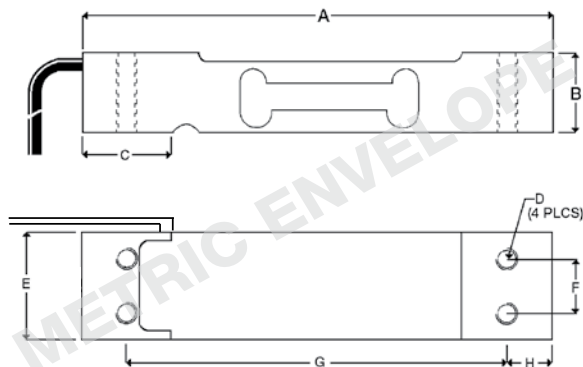
## Dimension

Picture is a representation of actual products

Rated Capacity	A	B	C	D	E	F	G	H
<b>kg/mm</b>								
3-7	130.0	22.0	25.0	M6 x 1.0	25.4	15.0	106.0	12.0
10-30	130.0	22.0	25.0	M6 x 1.0	30.0	15.0	106.0	12.0
35	130.0	22.0	25.0	M6 x 1.0	40.0	15.0	106.0	12.0
<b>lb/in</b>								
6.6-15.4	5.12	0.87	0.99	M6 x 1.0	1.00	0.59	4.17	0.47
22.0-66.2	5.12	0.87	0.99	M6 x 1.0	1.18	0.59	4.17	0.47
77.2	5.12	0.87	0.99	M6 x 1.0	1.57	0.59	4.17	0.47

## Order Information:

Load Rating	Part#	Est. Weight	Price
<b>1.50 ft Cables</b>			
3 kg	50620	1 lb	\$140.00
5 kg	50619	1 lb	\$140.00
7 kg	50621	1 lb	\$140.00
10 kg	50622	1 lb	\$140.00
15 kg	50623	1 lb	\$140.00
20 kg	50624	1 lb	\$140.00
30 kg	50625	1 lb	\$140.00
35 kg	50626	1 lb	\$140.00
<b>10 ft Cables</b>			
3 kg	132261	3 lb	\$140.00
5 kg	132262	3 lb	\$140.00
7 kg	132263	3 lb	\$140.00
10 kg	132264	3 lb	\$140.00
15 kg	132265	3 lb	\$140.00
20 kg	132266	3 lb	\$140.00
30 kg	132267	3 lb	\$140.00
35 kg	132268	3 lb	\$140.00



## Interchangeable Products

VPG CELTRON®	
<b>LPS</b> except 3 kg	..... page 229
VPG TEDEA-HUNTLEIGH®	
<b>1022</b>	..... page 350
VPG BLH®	
<b>C2G1</b>	..... —
FAIRBANKS®	
<b>4900 Series</b>	
<b>Checkweighers</b>	..... —
NMB®	
<b>C2G1</b>	..... —
ARTECH®	
<b>61022</b>	..... —

## Specifications

- Full Scale Output:**  
2.0 mV/V
- Output Resistance:**  
350 (± 3) ohm
- Input Resistance:**  
410 (± 15) ohm
- Material/Finish:**  
Aluminum
- Temperature:**  
Compensated range  
14°F to 104°F (-10°C to 40°C)  
Operating range  
0°F to 150°F (-18°C to 65°C)
- Seal Type:**  
Environmentally sealed, IP66
- Safe Overload:**  
150% full scale
- Rated Excitation:**  
5-10 VDC (15 V maximum)
- Combined Error:**  
0.03% full scale
- Insulation Resistance:**  
2,000 megohms
- Cable Length:**  
1.50 ft (0.5 m)  
10 ft (3.1 m)
- Cable Diameter:**  
0.14 PVC jacket
- Cable Color Code:**  
Green +Excitation  
Black -Excitation  
Red +Signal  
White -Signal
- Max Platform Size:**  
13.75 in x 13.75 in
- Warranty:**  
Two-year limited warranty
- Approvals:**  
cFMus  
NTEP