

WEIGH MODULES

Mettler Toledo™ DigiTOL® Retrofit Kit

Stainless Steel, Rice Lake Weighing Systems/Flintec

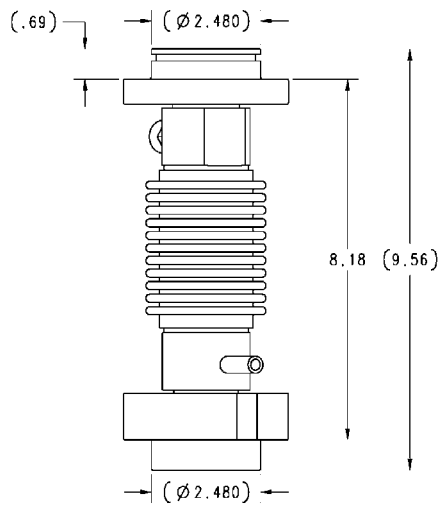
RC1 Load Cells

Shown here with the JB8SP signal trim junction box.
Picture is a representation of actual product.

These kits are designed to provide a cost effective solution for replacing Toledo™ DigiTOL® digital load cells with analog load cells. The Flintec RC1 and RC3 load cells are stainless steel and hermetically sealed to provide years of trouble-free service.

DigiTOL Retrofit Order information

Description	Part#	Price
8 mount kit (RC1-56,000) 1 junction box	78713	\$8,795.00
10 mount kit (RC1-56,000) 2 junction boxes	78714	\$10,695.00
12 mount kit (RC1-56,000) 3 junction boxes	152774	\$13,195.00



RC1-250KN

Complete Kit Includes

- One JB8SP or two JB8SP signal trim junction boxes (eight and 10 mount kit)
- Three EL304 signal trim boxes in 12 mount kits
- Eight, 10 or 12 Flintec RC1-250 KN load cells with upper and lower load cups
- 100 ft of hostile environment EL147HE SURVIVOR® load cell cable
- Cups included

Standard Features

- Stainless steel hermetically sealed load cells
- Converts existing Mettler Toledo DigiTOL scale to an analog based load cell weighing system
- Eight, 10 or 12 load cells, cups plus junction box and home run cable
- Load cells are NTEP Certified 1:10,000 divisions, Class III*
- Rocker design load cells
- Load cups

*Consult your local Weights & Measures Authorities for local Legal for Trade requirements

Applications

- Toledo® DigiTOL® truck scale conversion

Warranty

- One-year limited warranty

Load Cell Certifications