

Specifications

Dimensions:

(W x L x D) 4 in x 4 in x 2.5 in

Mounting Centers:

3.75 in x 2.31 in (95.2 mm x 58.7 mm)

Temperature:

Operating Range: 0°F to 122°F (-18°C to 50°C)

Cable Fittings:

Nylon waterproof strain-relief type

Cable Diameter:

0.079 in-0.314 in (2.0 mm-8.0 mm)

Terminal Block:

Rated 300 V/15 A; seven-position, screw terminal can each accommodate up to # 16 AWG

Warranty:

One-year limited warranty



Standard Features

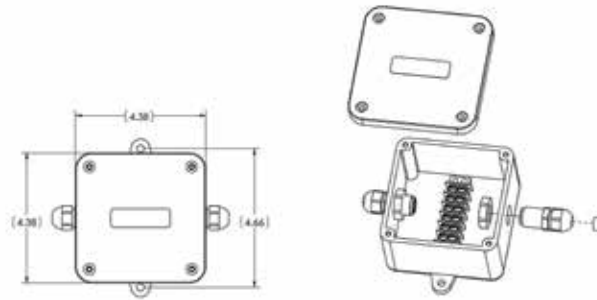
- Non-metallic PVC enclosure with separate input and output cable fittings
- No soldering, compression or swaged fittings are required

Applications

- For splicing or extending load cell cable

Part Number/Price

Part#	Description	Price
21161	EL168 one-cell junction box	\$66.00



Specifications

Protection Type:

Six-channel type with separate shield

Maximum Excitation Voltage:

22.8 VDC

Response Time:

Five nanoseconds

Peak Surge Currents:

100 amps

Series Resistance:

0.0 ohm

Series Inductance:

0.0 µh

Grounding:

10 AWG wire or larger (not provided)

Cable Fitting:

(2) nylon strain relief for 0.187in-0.312in (4.7mm-7.9mm) diameter cable

Enclosure:

Impact-resistant polycarbonate NEMA Type 4X, maximum 40 psi washdown

Operating Temperature:

4°F to 121°F (-20°C to 85°C)

Circuit Board Dimensions:

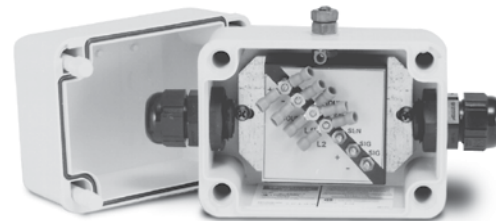
2.22 x 2.22 in (56.4 x 56.4 mm)

Dimensions:

(W x H x D) 4.38 x 3.15 X 3.38 (111.1 x 80 x 85.9 mm)

Warranty:

One-year limited warranty



TP75 DC

Transient Protection

Standard Features

- Avalanche diode design
- Full six-wire with shield protection
- NEMA Type 4X enclosure
- Unlimited number of parallel load cells; up to eight in series
- Terminal lugs provided

Applications

- Protects load cells and indicators from voltage transients
- Tank, bin and hopper scales
- Truck and railroad scales
- Suitable for outdoor use

Part Number/Price

Part#	Description	Price
33185	TP75 DC transient protection	\$225.00

Options/Accessories

Part#	Description	Price
31164	Circuit board only	\$170.00