

NEW 882IS/882IS Plus

Intrinsically Safe Digital Weight Indicator



Standard Features

- 0.8 in, seven-digit, seven-segment LCD display with white LED backlight
- Stainless steel IP66 enclosure
- T4 temperature rating
- Automatic zero and span temperature compensation
- Excitation for four 350-ohm or eight 700-ohm load cells
- Tilt stand
- Numeric keypad (882IS Plus only)
- Duplex fiber optic interface
- Power ON/OFF; battery save mode
- I/O module option: one serial port, optional analog output, optional fieldbus cards, Ethernet TCP/IP
- Time & date (requires I/O module)
- FM Entity Approved for use in hazardous locations per Rice Lake Weighing Systems control drawing file number 180948

Approvals



IECEx



Measurement
Canada
Approved

**UL is only applicable to
882IS I/O and battery charger*

Rice Lake Weighing Systems® warrants that all Rice Lake Weighing Systems intrinsically safe (IS) equipment and systems installed by a qualified electrician will operate per written specifications as confirmed by the distributor/OEM and accepted by Rice Lake Weighing Systems. All systems and components are warranted against defects in materials and workmanship for one year. All Rice Lake Weighing Systems intrinsically safe equipment carries a Factory Mutual approval and is documented on various control drawings. Each device is manufactured by a Rice Lake Weighing Systems factory authorized personnel. To preserve the warranty and Factory Mutual approval, all repairs or replacement of circuit boards or components housed within the enclosures must be performed by Rice Lake Weighing Systems factory authorized personnel.



CAUTION! The equipment contained within this Explosive Environment section requires greater attention to specification and installation guidelines. Improper specification, installation or service of these products can result in loss of equipment or serious injury.

Specifications

Load Cell Excitation:

3.0 VDC at 87.5 Ω, 4.6 VDC at 700 Ω

Load Cell Current:

34 mA (4 x 350 Ω load cells) or (8 x 700 Ω load cells)

Load Cell Cabling:

Four and six-wire with remote sensing (recommended)

Analog Signal Input Range:

0.6 mV/V - 4.0 mV/V

Analog Signal Sensitivity:

0.2 μV/graduation minimum
1.5 μV/graduation recommended

Conversion Rate:

60 updates/second

Resolution:

10,000 displayed graduations (NTEP Certified),
1,000,000 expanded
The maximum number of allowed graduations will vary by application

Display Increments:

1, 2, 5

Display:

Seven-digit, seven-segment LCD display 121 x 24 dot matrix messaging area with white LED backlight

Decimal Point:

Configurable with dead zeros

Unit Switching:

Configurable for two units of measurement with front panel operation with conversion for tare and setpoint values

Front Panel Control Switches:

882IS: Zero, Gross/Net, Tare, Print, Units Conv, Start, Stop
882IS Plus: Zero, Gross/Net, Tare, Print, Units Conv, Start, Stop, Full numeric keypad

Front Panel:

Ten-button plus power button flat membrane panel

Front Panel Annunciators:

Center Zero, Gross, Net, Motion, lb, kg, oz, g

Motion Band:

Configurable to ± 1 or ± 3 graduations,
1 second delay (or Off)

Power Input:

5.8-7.9 VDC, 100-175 mA
Maximum power consumption 0.25 watts

Operating Temperature:

14° F to 104° F (-10° C to 40° C) legal

Electrical Operating Temperature:

14° F to 104° F (-10° C to 40° C) legal

Rating/Material:

Stainless steel IP66 enclosure

Optional Battery:

Operating times: 4 x 350 Ω = 60 hrs.
1 x 350 Ω = 80-100 hrs. Charging times: 8-10 hrs

Weight:

6.1 lb (2.8 kg)

Warranty:

One-year limited warranty

Intrinsic Safety:

FM/cFM:
Class I, II, III, Division 1, Groups ABCDEFG T4
Class I, Zone 0 AEx/Ex ia IIC T4 Ga
Zone 20 AEx/Ex ia IIIC T135°C Da
Ta = -10°C to +40°C (14°F to 104°F)
ATEX/IECEx:
II 1 G Ex ia IIC T4 Ga
II 1 D Ex ia IIIC T135°C Da

Approvals:

UL/cUL Listed*
FM Entity
ATEX
IECEx
NTEP
Measurement Canada
**UL is only applicable to 882IS I/O and battery charger*

NEW 882IS/882IS Plus

Intrinsically Safe Digital Weight Indicator

Part Number/Price

Part #	Description	Price
882IS		
195091	882IS 7.5VDC with standard tilt stand	\$1,295.00
185288	882IS with battery and charger (North American plug)	\$2,115.00
194231	882IS with battery and charger (EU plug)	\$2,115.00
194232	882IS with battery and charger (UK plug)	\$2,115.00
196273	882IS with battery and charger (AU plug)	\$2,115.00
185290	882IS with power supply	\$2,315.00
194235	882IS indicator with power supply and metric thread adapter	\$2,360.00
882IS Plus		
195092	882IS Plus 7.5VDC with standard tilt stand	\$1,295.00
185291	882IS Plus with battery and charger (North American plug)	\$2,115.00
194233	882IS Plus with battery and charger (EU plug)	\$2,115.00
194234	882IS Plus with battery and charger (UK plug)	\$2,115.00
196274	882IS Plus with battery and charger (AU plug)	\$2,115.00
185293	882IS Plus with power supply	\$2,315.00
194236	882IS Plus indicator with power supply and metric thread adapter	\$2,360.00



† US plug (NA) - Type B



†† Euro Plug - Type E



††† BS1363 (UK) - Type G



†††† AS 3112 (Australian) - Type I

Options/Accessories

Part #	Description	Price
180831	Battery option, IS6V2	\$595.00
194191	Battery charger, IS6V2, 100-240VAC NEMA 5-15 (North American plug)	\$225.00
194189	Battery charger, IS6V2 100-240VAC (EU plug)	\$225.00
194192	Battery charger, IS6V2 100-240VAC (UK plug)	\$225.00
180837	Power supply, 882IS mb-EPS-100-240-X2, dual output 6.8 VDC 200mA	\$895.00
195109	Power supply, 882IS mb-EPS-100-240-X2, dual output 6.8 VDC 200mA, 1/2 in NPT-M20	\$945.00
179668	Cable, M12 power 22 in hazardous location (for battery version)	\$65.00
179669	Cable, M12 power 10 ft hazardous location	\$125.00
179670	Cable, M12 power 50 ft hazardous location	\$150.00
179671	Cable, M12 power 100 ft hazardous location	\$300.00
163751	Tilt stand, 882IS	\$35.00
179678	Tilt stand, 882IS battery option	\$35.00

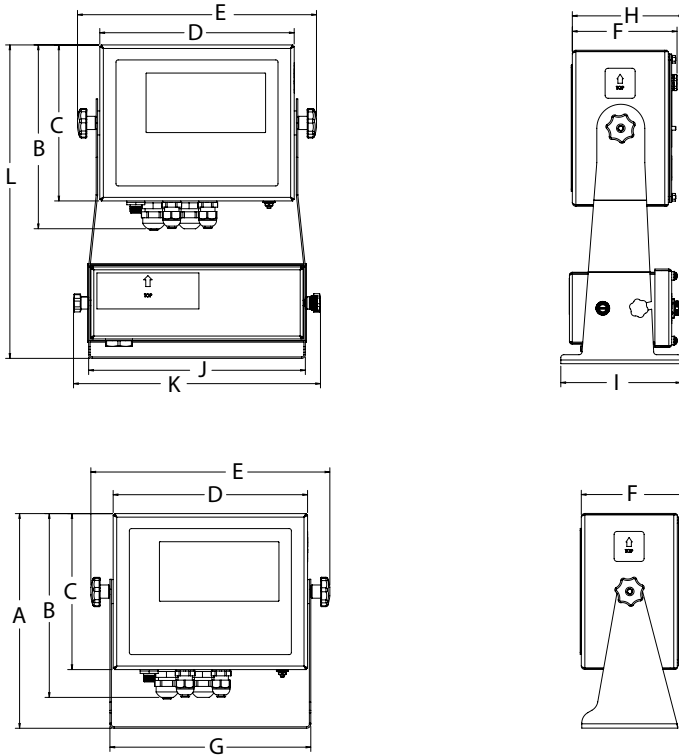


Complete Control Drawings available at www.ricelake.com

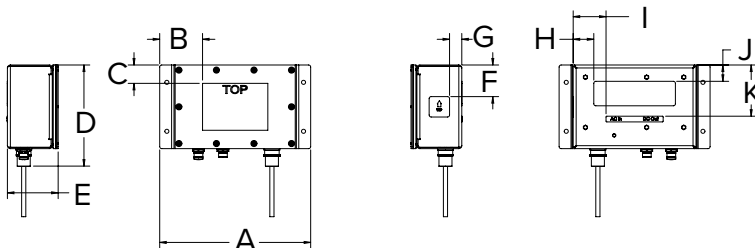
882IS/882IS Plus

Intrinsically Safe Digital Weight Indicator

Dimensions			
Without Battery			
A	8.94 in (227.1 mm)	E	9.96 in (253 mm)
B	7.66 in (194.6 mm)	F	4.36 in (110.7 mm)
C	6.50 in (165.1 mm)	G	8.37 in (212.6 mm)
D	8.10 in (205.7 mm)		
With Optional Battery and Tilt Stand			
H	4.64 in (117.9 mm)	K	10.29 in (261.4 mm)
I	5.00 in (127 mm)	L	13.06 in (331.7 mm)
J	9.03 in (229.4 mm)		



Dimensions			
Optional Power Supply			
A	9.25 in (235 mm)	G	0.75 in (19.1 mm)
B	2.63 in (66.8 mm)	H	1.25 in (31.8 mm)
C	1.13 in (28.7 mm)	I	2.00 in (50.8 mm)
D	6.20 in (157.5 mm)	J	1.00 in (25.4 mm)
E	3.11 in (79 mm)	K	3.00 in (76.2 mm)
F	2.00 in (50.8 mm)		



Optional I/O Module

Part #	Description	Price
177709	Module, 882 Smart I/O interface	\$825.00
196166	Module, 882 Smart I/O (EU power cord)	\$825.00
196165	Module, 882 Smart I/O (UK power cord)	\$825.00
196769	Option, Fiber/RS232 6x6 FRP Enclosure, Fiber Optic-232 converter, Ext. Power Supply	\$475.00
196770	Option, Fiber/RS422 6x6 FRP Enclosure, Fiber-RS422 converter, External Power Supply	\$475.00
78026	Cable, Plastic Optical 100 ft. includes polishing kit	\$140.00
78027	Cable, Plastic Optical 200 ft. includes polishing kit	\$280.00
197384	Kit, polishing POF cable	\$50.00
Option Cards		
190528	Single analog output (0-10VDC, 0-20 mA, 4-20 mA)	\$360.00
190530	882 option, Ethernet/IP	\$575.00
190531	882 option, DeviceNet	\$575.00
190532	882 option, ProfiNet	\$575.00
190534	882 option, Profibus	\$575.00
190533	882 option, Modbus TCP	\$575.00
190535	882 option, EtherCAT	\$575.00

Dimensions			
Optional I/O Module			
A	10.00 in (254 mm)	D	4.00 in (101.6 mm)
B	9.13 in (231.9 mm)	E	2.75 in (69.9 mm)
C	6.91 in (175.5 mm)	F	1.50 in (38.1 mm)

