

## RL9000TWM-HT

Tank, Hopper and Vessel Weigh Module



Picture is a representation of actual product.

The RL9000TWM-HT is the latest addition to the popular RL9000TWM Series weigh module. The RL9000TWM-HT is a high temperature version that is designed to operate in temperatures up to 400°F.

The integral 25 ft of FEP cable complements the RL9000TWM-HT weigh module.

### Specifications

**Full Scale Output:**

3 ( $\pm$  0.1%) mV/V

**Bridge Resistance:**

700 ohms

**Material/Finish:**

Stainless steel

**Safe Overload:**

150% Full scale

**Non-linearity:**

0.05% FS

**Non-repeatability:**

0.02% FS

**Rated Excitation:**

5-10 V DC

**Operating Temperature:**

0° to 400° F

**Insulation Resistance:**

5,000 megohms

**Seal Type:**

Welded seal IP67

**Cable Length:**

25 ft FEP Jacket

**Cable Color Code:**

Green +Excitation  
Black -Excitation  
White +Signal  
Red -Signal

**Warranty:**

Two-year limited

### Standard Features

- Capacities: 1000-50,000 lb
- Very low profile design
- 3mV/V output
- Self-centering
- Self-checking assembly
- Offers 100% side load, 100% uplift and 150% safe load and 300% ultimate overload protection
- Stainless steel construction
- Welded seal
- Weighs accurately with as much as a 3° non-parallel load
- Integral 25 ft FEP cable

### Optional Features

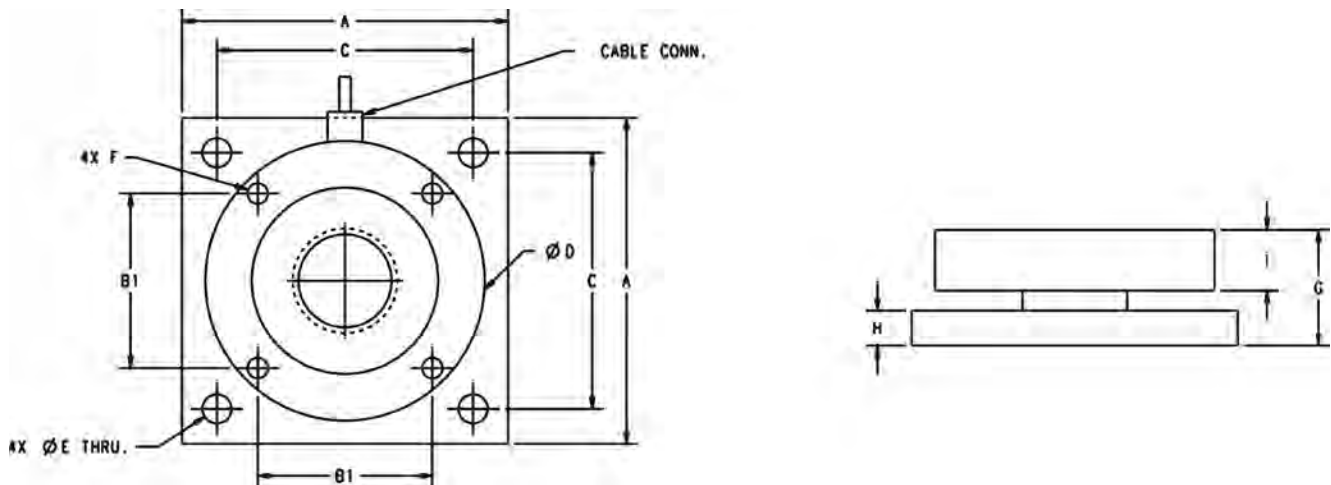
- Stainless steel top plates
- Higher capacities available upon request

### Applications

- Tank, hopper, or vessel weighing
- High temperature applications

**RL9000TWM-HT**

Tank, Hopper and Vessel Weigh Module

**Dimensions**

Rated Capacity lb/in	A	B1	C	D	E	F	G	H	I	Conduit Adapter
1,000-10,000	4.00	2.00	3.25	3.50	0.40	3/8-16 UNC	1.35	0.375	0.75	—
15,000	4.00	2.00	3.25	3.50	0.40	3/8-16 UNC	1.60	0.625	0.75	—
20,000-50,000	7.00	3.75	5.50	6.00	0.63	1/2-13 UNC	2.48	0.750	1.30	1/2-14NPT

**Order Information**

Load Rating (per module)	Part#	Price
<b>Single Module</b>		
1,000 lb	117050	\$1,045.00
2,500 lb	117051	\$1,045.00
5,000 lb	117052	\$1,045.00
10,000 lb	117140	\$1,045.00
15,000 lb	117053	\$1,045.00
20,000 lb	117054	\$1,755.00
25,000 lb	117055	\$1,755.00
35,000 lb	117056	\$1,755.00
50,000 lb	117057	\$1,755.00
<b>Top Plates (Stainless Steel) with bolts</b>		
1,000 lb-15,000 lb	91207	\$150.00
20,000 lb-50,000 lb	91210	\$325.00
<b>Top Plates (Mild Steel) with bolts</b>		
1,000 lb-15,000 lb	124758	\$75.00
20,000 lb-50,000 lb	125141	\$145.00