

# RoughDeck® QC-X

Quick Clean Extreme Lift Floor Scale with Solid Plate Base



## Specifications

**End Load Capacity:**

- 100% full scale at 5,000 lb
- 80% full scale at 10,000 lb

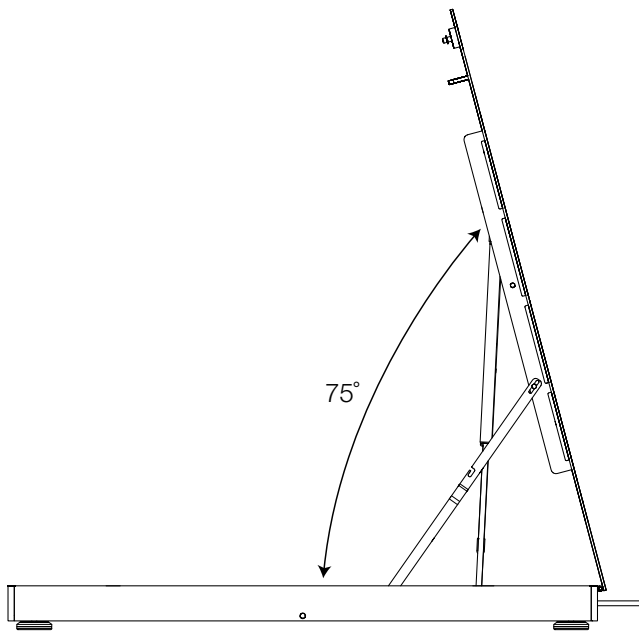
**Warranty:**

RoughDeck QC-X weldment five years, load cells two years, all other components one year

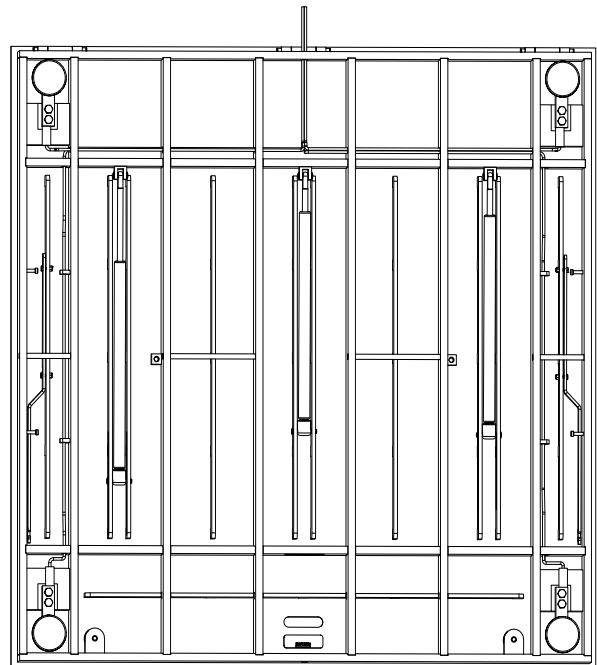
## Standard Features

- Rugged washdown design, rigid 304 stainless steel frame constructed with continuous welds
- Manual drop-in-place safety bars
- Four stainless steel, hermetically sealed, IP69K shear-beam load cells
- 20 ft of SURVIVOR® EL147HE hostile environment cable for connecting junction box to indicator
- Remote TuffSeal® JB4SS stainless steel NEMA Type 4X junction box can be mounted up to 15 ft away
- 1/4 in top plate
- Four adjustable stainless steel SUREFOOT™ support feet
- Top plate opens 75 degrees
- Tool-less top plate lock downs
- Top plate available with a smooth deck or diamond treadplate
- Two 1/2-20NF threaded eyebolt holes for lifting scale into pit frame

## APPROVALS



Upright position



Underdeck View

## Part Number/Price

Part #	Size (W x L x H)	Capacity	Est. Weight	Price
<b>Smooth Top Plate</b>				
175686	4 ft x 4 ft x 4.625 in	5,000 lb (2,500 kg)	650 lb	\$8,995.00
175689	4 ft x 4 ft x 4.625 in	10,000 lb (5,000 kg)	650 lb	\$8,995.00
175694	5 ft x 5 ft x 4.625 in	5,000 lb (2,500 kg)	950 lb	\$11,495.00
175695	5 ft x 5 ft x 4.625 in	10,000 lb (5,000 kg)	950 lb	\$11,495.00
<b>Diamond Tread Top Plate</b>				
175688	4 ft x 4 ft x 4.625 in	5,000 lb (2,500 kg)	650 lb	\$9,875.00
175690	4 ft x 4 ft x 4.625 in	10,000 lb (5,000 kg)	650 lb	\$9,875.00
175696	5 ft x 5 ft x 4.625 in	5,000 lb (2,500 kg)	950 lb	\$12,870.00
175697	5 ft x 5 ft x 4.625 in	10,000 lb (5,000 kg)	950 lb	\$12,870.00

## Options/Accessories

Part #	Description	Price
28740	RoughDeck floor stand for indicator, 36.3 in high, stainless steel	\$310.00
18778	Floor anchor plates, stainless steel (set of two)	\$45.00
<b>Pit Frames (W x L)</b>		
175691	4 ft x 4 ft	\$1,795.00
175698	5 ft x 5 ft	\$2,150.00
<b>Ramps (Diamond Treadplate Standard)</b>		
175692	4 ft x 3 ft x 4.625 in, fits hinge/handhole side	\$3,125.00
175693	4 ft x 4 ft x 4.625 in, fits hinge/handhole side	\$3,475.00
175699	5 ft x 3 ft x 4.625 in, fits hinge/handhole side	\$3,475.00
175700	5 ft x 4 ft x 4.625 in, fits hinge/handhole side	\$3,825.00
178840	4 ft x 3 ft x 4.625 in, fits side of scale	\$3,125.00
178849	4 ft x 4 ft x 4.625 in, fits side of scale	\$3,475.00
178850	5 ft x 3 ft x 4.625 in, fits side of scale	\$3,475.00
178851	5 ft x 4 ft x 4.625 in, fits side of scale	\$3,825.00

