

RoughDeck® CS

Coil Floor Scale



Specifications

Capacities:

Scale Capacity | Load Cell and Mount Capacity
 40,000 lb | Qty (4) 50,000 lb each
 60,000 lb | Qty (4) 50,000 lb each
 80,000 lb | Qty (4) 75,000 lb each

Warranty:

RoughDeck CS weldment five years, load cells two years, all other components one year

Approvals:

NTEP CC 11-068, Class III, 5,000 d

Standard Features

- Capacities: 40,000 lb to 80,000 lb, consult factory for custom capacities
- Deck thickness: 1/2 in smooth top plate
- JB4SS Tuffseal® signal trim junction box
- MVS self-checking mounting system, top access to load cells
- Black epoxy paint
- 20 ft SURVIVOR® EL147HE hostile environment load cell cable
- Ships unassembled with (8) concrete anchor bolts

APPROVALS

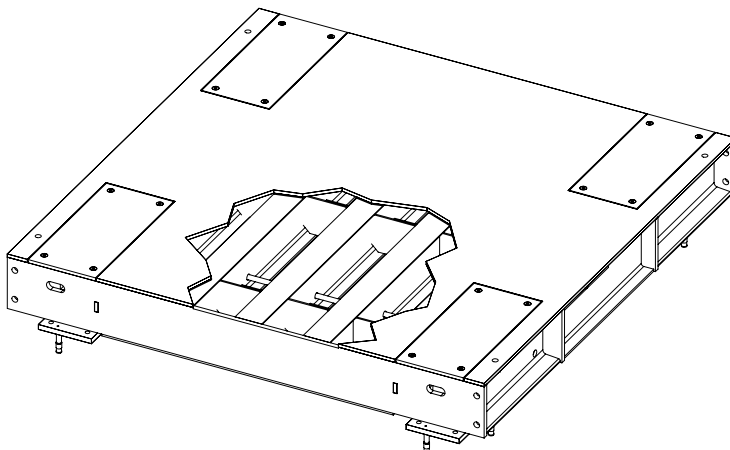


Part Number/Price

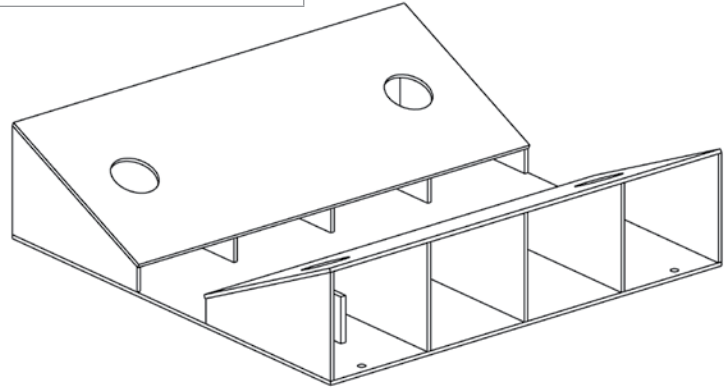
Part #	Size (W x L x H)	Capacity	Est. Weight	Price
107493	5 ft x 5 ft x 11 in	40,000 lb (20,000 kg)	1,900 lb	\$10,925.00
107494	5 ft x 5 ft x 11 in	60,000 lb (30,000 kg)	1,900 lb	\$10,925.00
107495	5 ft x 5 ft x 11 in	80,000 lb (40,000 kg)	1,900 lb	\$10,925.00
107496	6 ft x 6 ft x 11 in	40,000 lb (20,000 kg)	2,575 lb	\$12,650.00
107497	6 ft x 6 ft x 11 in	60,000 lb (30,000 kg)	2,575 lb	\$12,650.00
107498	6 ft x 6 ft x 11 in	80,000 lb (40,000 kg)	2,575 lb	\$12,650.00

Options/Accessories

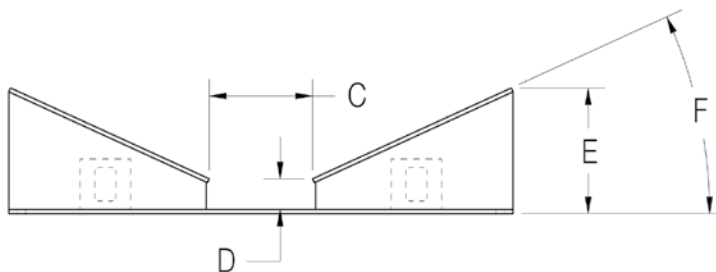
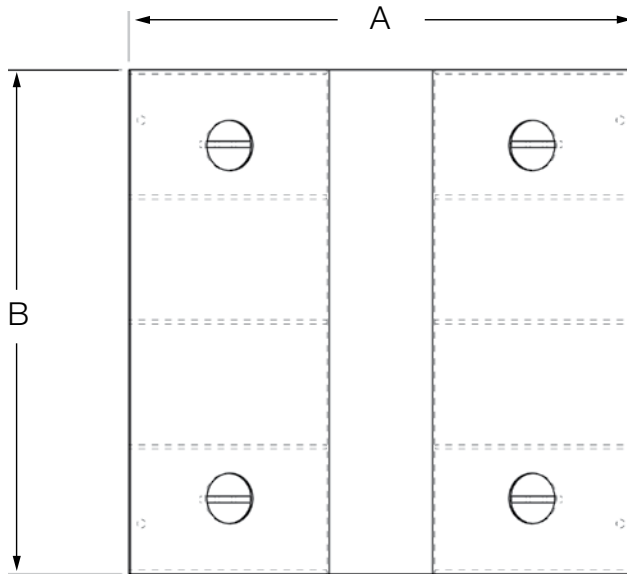
Part #	Description	Price
114678	V-Top coil cradle (5 ft x 5 ft scale)	\$2,875.00
114684	V-Top coil cradle (6 ft x 6 ft scale)	\$3,565.00
Consult	Pit coping	Consult



Dimensions			
5 ft x 5 ft V-Top Coil Cradle			
A	60 in	D	3.64 in
B	60 in	E	14.95 in
C	12.30 in	F	25°
6 ft x 6 ft V-Top Coil Cradle			
A	72 in	D	3.99 in
B	72 in	E	14.96 in
C	22.62 in	F	24°

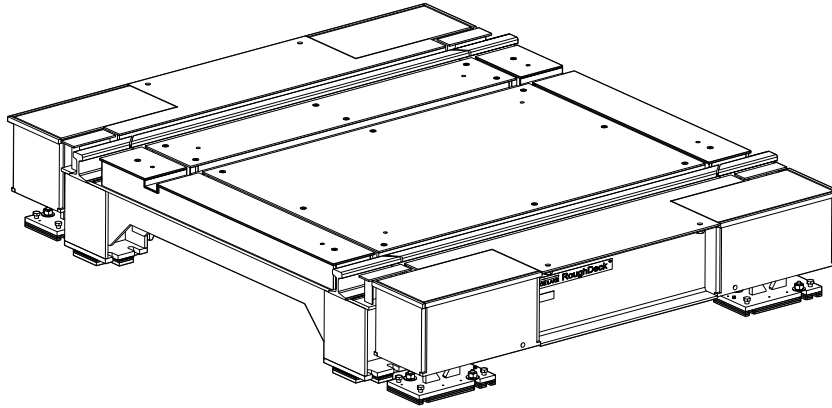


V-Top Coil Cradle



NEW RoughDeck® CS Rail Car Coil Scale

Top Access



Scale Capacity: _____

Rail Size: _____

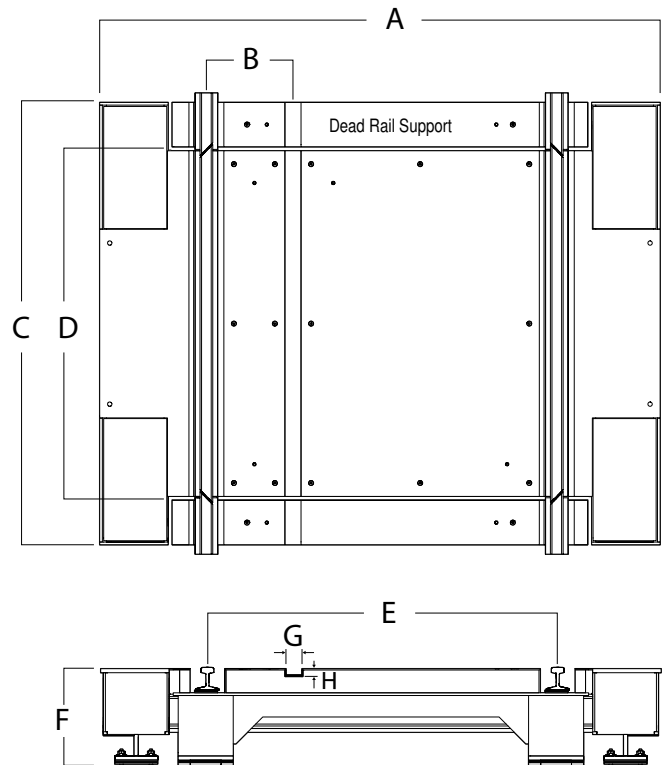
Is this a new installation or existing: New Existing

Size of Cart: _____

Size of Wheel Base: _____

Is there a cable through required: Yes No

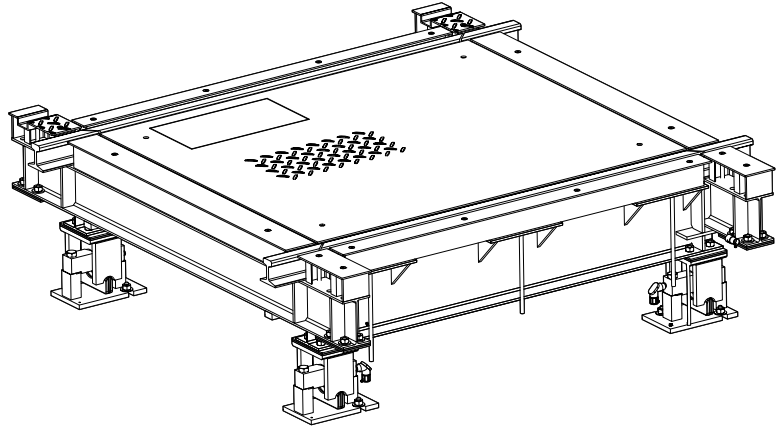
Will it be grout or shim installation: Grout Shim



Scale Size	
A (PIT WIDTH)	
B (RAIL TO CHANNEL ON CENTER)	
C (PIT OPENING)	
D (SCALE LENGTH)	
E (RAIL WIDTH ON CENTER)	
F (PIT DEPTH)	
G (CABLE CHANNEL WIDTH)	
H (CABLE CHANNEL DEPTH)	

NEW RoughDeck® CS Rail Car Coil Scale

Under Beam Mount



Scale Capacity: _____

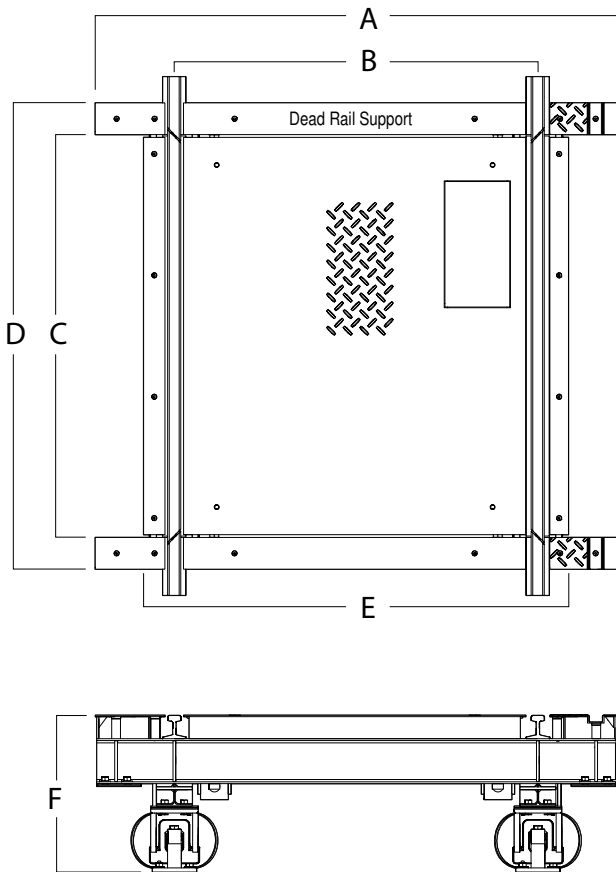
Rail Size: _____

Is this a new installation or existing: New Existing

Size of Cart: _____

Size of Wheel Base: _____

Will it be grout or shim installation: Grout Shim



Scale Size	
A (DEAD RAIL BEAM)	
B (RAIL WIDTH ON CENTER)	
C (SCALE LENGTH)	
D (PIT OPENING)	
E (SCALE WIDTH)	
F (PIT DEPTH)	