

NEW**iDimension® PWD System**

Pallet Weighing and Dimensioning System



The iDimension PWD system includes a 5 ft x 5 ft, 5,000 lb capacity floor scale with built-in forklift bumper guards, a weight indicator, a USB-connected touchscreen display and an overhead dimensioning system.

The iDimension PWD can be front-loaded with a forklift or side-loaded using a pallet jack with optional access ramps. Simply place the pallet on the floor scale and trigger the PWD to scan in one of three ways with the USB-connected display, optional bar code scanner or a web browser when connected to a network. In less than two seconds, the iDimension PWD measures and communicates both dimensions and weight.

Standard Features

Versatile Uses

iDimension PWD is capable of measuring pallets up to six feet cubed—or packages as small as six inches.

Convenient Pallet Tare Mode

For non-Legal for Trade applications, iDimension PWD can measure objects on a pallet by excluding their length and width and subtracting the known pallet height.

Easy Network Integration

The iDimension PWD is designed to easily transfer images and dimensions to a network, simplifying claims processes. Built with a web service interface, iDimension PWD offers simple integration using configurable capture definitions through HTTP requests, status checking and XML parsing.

Quick, Simple Installation

In less than a day, the iDimension PWD can be set up, configured and put to work.

iDimension PWD System

The standard PWD system includes:

- 5 ft x 5 ft, 5,000 lb capacity floor scale with built-in forklift bumper guards
- 880 panel mount weight indicator
- USB-connected touchscreen display
- Overhead sensors

Options

High Resolution Camera

Capture an image of each piece of freight to provide proof of condition to simplify the freight damage claim process. Produces a 2.4 mm color image at 2688 x 1606 pixels

Wired or Wireless Barcode Scanner

Keyboard wedge emulation will manually trigger the iDimension PWD to dimension and add barcode text data into web service API

Access Ramps

One or two side-mounted ramps provide access for pallet jacks

Specifications

Legal for Trade Measurement Range:

Maximum freight size: (L x W x H)
72 in x 72 in x 72 in

Measurement Capabilities:

48 in x 42 in x 84 in
Contact factory for more examples

Measurement Increment:

0.5 in

Throughput:

Average transaction time of 7 seconds

Performance Characteristics:

Most surfaces are captured, transparent/translucent and glossy surfaces may provide a variance.

Item Placement:

Single pallet centered on the floor scale for best performance

Minimum Pallet Height:

4.25 in wood pallets

Shapes:

Solid shapes, (3-inch protrusions or more) will be included in dimensions

Lighting Conditions:

Operates in any indoor lighting environment

System Contents:

iDimension PWD
Calibration object
12 in x 12 in x 12 in test box

Dimensioning Speed:

Within 2 seconds from the time the target area is clear and the iDimension LTL has been triggered to scan

Unobstructed Floor Space:

For best performance, provide a 15 ft width area clear of walls, inventory racks or barriers

Minimum Ceiling Height:

11 ft

Sensor Height:

10 ft

Network Interface:

One static IP address required when used with a mobile PC. Up to 11 IP addresses reserved when connected directly to the network.

Physical Dimensions:

See drawing

Power Requirements:

Single power source (96-264 VAC),
with 25 ft power cable

Optional Network Camera:

2.4 mm POE network color camera with 3-axis camera angle adjustment. IP24 rating. Standard 2688 x 1606 pixels, 96 dpi @ 751kb standard output in .jpeg format. Configurable for time and date, scan ID, system serial #, dimensions and dimensional indicators.

Operating Temperature:

14°F to 104°F (-10°C to 40°C)

Humidity:

0-90% non-condensing

Warranty:

Two-year limited warranty
Five-year limited warranty, sensors only

Approvals:

NTEP

Approvals



NEW
iDimension® PWD System
 Pallet Weighing and Dimensioning System

Part Numbers/Price

Part #	Description	Capacity	Dimensions	Est. Weight	Price
System					
199318	iDimension PWD System	5,000 lb, 6 ft x 6 ft x 6 ft max	–	–	\$28,900.00
System Options					
200168	2.4 mm POE network camera – up to 1 optional				\$875.00
199320	Data Logic PM 9100RB wireless scanner kit				\$1,360.00
176307	Datalogic QuickScan QD2131 KBW, wired USB cable				\$258.00
199665	iDim199665ension PWD pallet jack ramp				\$425.00
199401	Optional 5th overhead sensor				Consult
Software Programs					
On-line	QubeVu Desktop App – Lan based keyboard wedge				N/C
175812	iDim SS –iDimension Series database and integration program, Windows 10				\$1,500.00
Installation					
171666	iDimension field install & training, T&E not included				\$1,320.00

DIMENSIONING

www.ricelake.com | Phone: 800-472-6703

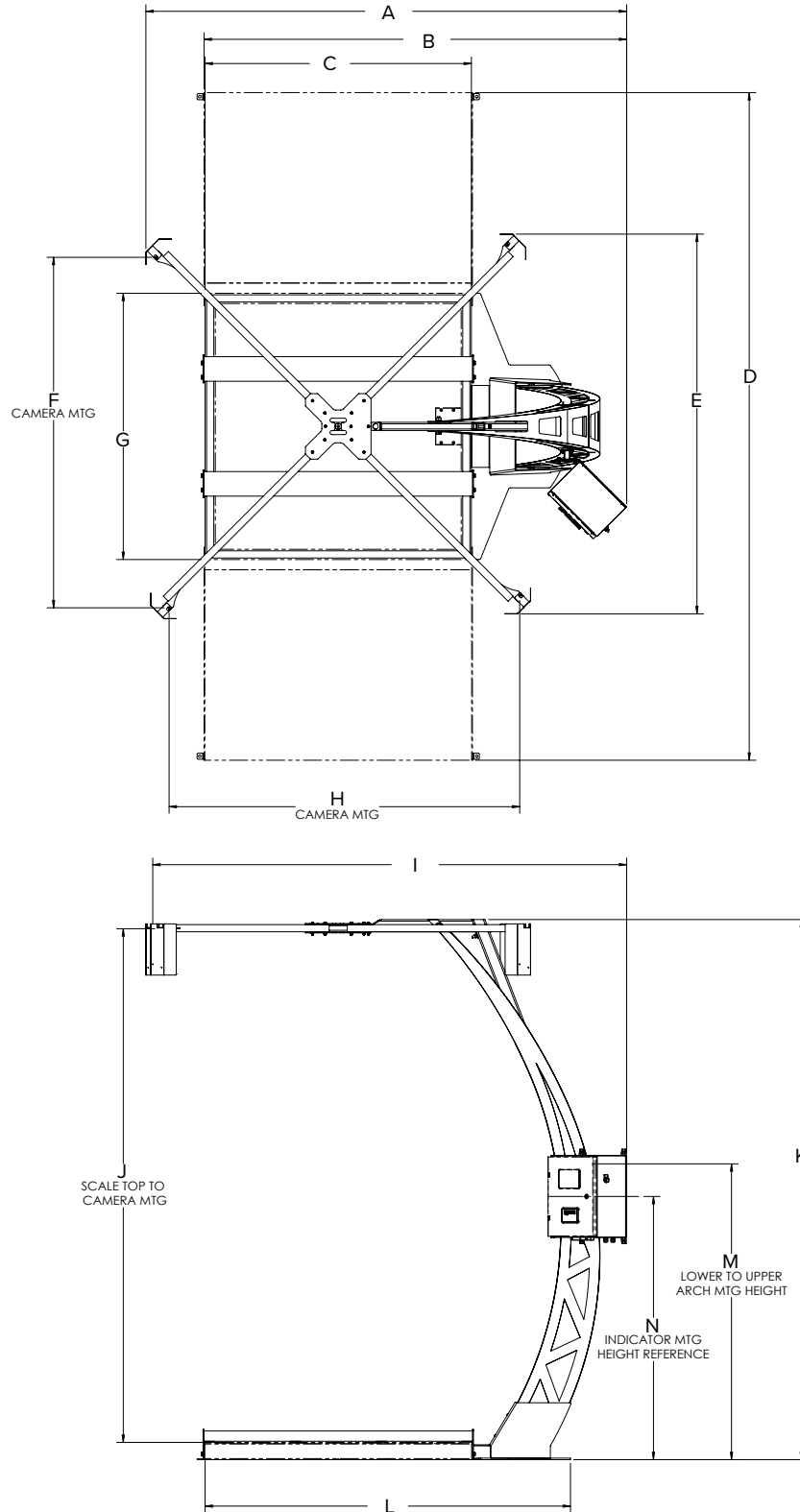
RICE LAKE

NEW iDimension® PWD System

Pallet Weighing and Dimensioning System

DIMENSIONING

Dimensions							
A	117.34 in	E	92.70 in	I	115.66 in	M	72.22 in
B	103.14 in	F	85.56 in	J	125.41 in	N	64.25 in
C	65.00 in	G	65.00 in	K	131.86 in		
D	163.00 in	H	85.56 in	L	89.18 in		



www.ricelake.com | Phone: 800-472-6703

RICE LAKE