

BL9000 BUBBLE LEVEL FLOW SENSOR

Applications

- Wastewater
- Collection Systems
- Industrial Water



For use with Hach's FL1500 Flow Monitor.

Reliable Level Measurement.

Designed specifically for the FL1500 Flow Logger, the BL9000 bubble level sensor provides accurate data and easily handles harsh conditions.

Accurate Measurement Regardless of Conditions

Built to last through harsh conditions, the BL9000 delivers level measurements you can trust.

Seamless Logger Integration

Designed specifically for the FL1500 Flow Logger, the BL9000 requires minimal programming. Additionally, the FL1500 user interface offers step-by-step guidance for easy programming.

Seamless Logger Integration

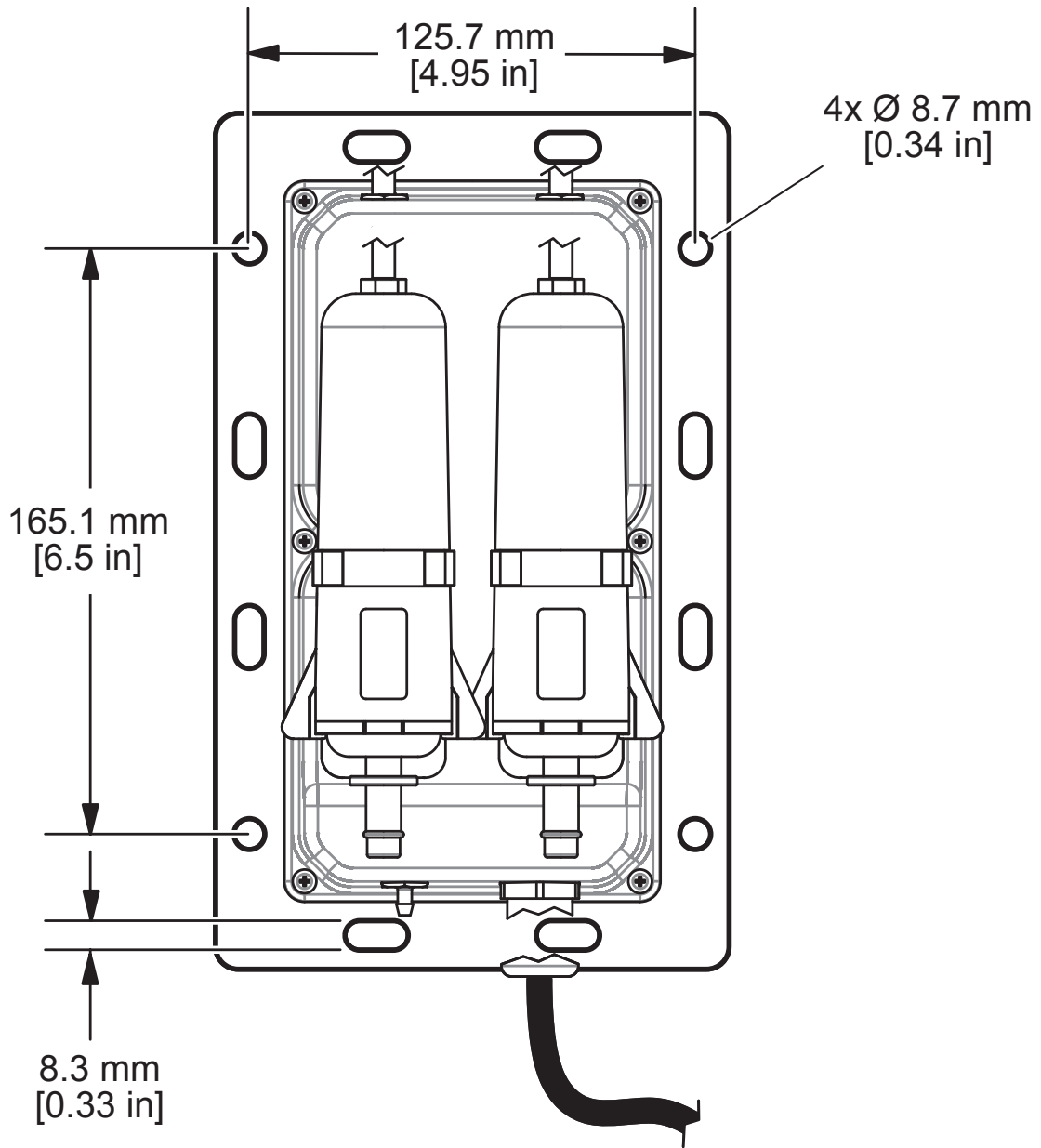
The BL9000 requires minimal maintenance and calibration. The sensor's purging function keeps the line free of debris and clogs to keep you focused on your top priorities.

Specifications*

Operating temperature	-10 to 60 °C (14 to 140 °F)
Storage temperature	-40 to 60 °C (-40 to 140 °F)
Range	0.003 to 3.5 m (0.01 to 11.5 ft)
Accuracy	±0.003 m (0.01 ft) at 25 °C (77 °F), factory calibration with static potable water
Temperature error	Within compensated temperature range: ±0.0003 × level (m) × temperature deviation from 25 °C; ±0.00017 × level (ft) × temperature deviation from 77 °F
Compensated temperature range	-10 to 60 °C (14 to 140 °F)
Air inlets	Bubbler inlet port and reference port (with inline desiccant, 10-micron filter); 0.95 cm (3/8-in.) barb fittings for remote air inlets
Bubbler line requirement	0.32 cm (1/8-in.) ID
Bubbler line high-pressure purge	Manual or automatic at programmed intervals
Control instruments	FL1500 flow logger only
Dimensions (W x H x D)	10.7 × 24.1 × 12.7 cm (4.2 × 9.5 × 5.0 in.)
Enclosure	IP 68; NEMA 4X and 6P
Materials	Enclosure: PC/ABS; bubbler line connector: stainless steel; mounting bracket: stainless steel; cable jacket: PVC
Weight	1.36 kg (3 lbs)
Power requirements	12 VDC, 0.5 A
Power cable	1.83 m (6 ft), 0.95 cm (0.375 in.) diameter
Certifications	CE
Warranty	1 year (EU: 2 years)

*Subject to change without notice.

Mounting Dimensions



Ordering Information

Sensor

9694801 BL9000 Bubble Level Flow Sensor

Replacement Parts and Accessories

5027	Desiccant cartridge	1365	Spring ring for 38.1 cm (15-inch) pipe
8755500	Bulk desiccant beads	1366	Spring ring for 45.7 cm (18-inch) pipe
5057	Desiccant cartridge clip	1353	Spring ring for 50.8 to 53.3 cm (20 to 21-inch) pipe
3390	Hydrophobic filter for desiccant cartridge	1370	Spring ring for 61 cm (24-inch) pipe
5252	Desiccant tube o-ring	9706100	Scissor band for 38.1 cm (15-inch) pipe
8309300	Bubble level sensor mounting bracket	9706200	Scissor band for 45.7 cm (18-inch) pipe
8319000	Pipe/rail mounting kit	9706300	Scissor band for 53.3 cm (21-inch) pipe
2900	Bubble line mounting plate	9706400	Scissor band for 61.0 cm (24-inch) pipe
8319200	Sunshield	9706500	Scissor band for 68.6 cm (27-inch) pipe
2929	Vinyl tubing, 0.317 cm (1/8 inch) ID, 7.6 m (25 ft)	9706600	Scissor band for 76.2 cm (30-inch) pipe
2921	Vinyl tubing, 0.317 cm (1/8 inch) ID, 30.5m (100 ft)	9706700	Scissor band for 83.8 cm (33-inch) pipe
2922	Vinyl tubing, 0.317 cm (1/8 inch) ID, 152 m (500 ft)	9706800	Scissor band for 91.4 cm (36-inch) pipe
2899	Bubble line mounting clip for spring rings and scissor bands	9706900	Scissor band for 106.7 cm (42-inch) pipe
1361	Spring ring for 15.2 cm (6-inch) pipe	3766	Scissor band for 38.1 to 106.7 cm (15 to 42-inch) pipe
1362	Spring ring for 20.3 cm (8-inch) pipe		
1363	Spring ring for 25.4 cm (10-inch) pipe		
1364	Spring ring for 30.5 cm (12-inch) pipe		

All spring rings and scissor bands require the mounting clip 2899.

For additional information on products mentioned in this data sheet, download the following data sheets at: hachflow.com

FL1500 Series Flow Controller (DOC053.53.35137)

DOC053.53.30401 Jun17

Hach World Headquarters: Loveland, Colorado USA

United States: 800-368-2723 tel 970-669-5150 fax hachflowsales@hach.com

Outside United States: 970-622-7120 tel

hachflow.com

Printed in U.S.A. ©Hach 2017. All rights reserved.

In the interest of improving and updating its equipment, Hach reserves the right to alter specifications to equipment at any time.

MARSH
McBIRNEY **SIGMA**



Be Right™