

RL1700 HE

Light- to Medium-capacity Weigh Modules



Picture is a representation of actual product.

The RL1700 HE offers precision-machined, weldless construction to maximize washdown cleaning effectiveness. This design, coupled with integral jacking/shipping bolts, eases installation and minimizes maintenance costs. OIML C3-certified load cells in capacities from 5 kg to 5,000 kg provide accurate, consistent weighments. Ideal for multi-ingredient micro-batching applications, the RL1700 HE provides exceptional performance in hostile environments. The RL1700 HE offers a guaranteed waterproof rating to ensure reliable performance in moisture-laden environments.

Complete Kit Includes

- One JB4SS NEMA Type 4X stainless steel signal-trim junction box
- Three or four RL1700 HE stainless steel compression mounts
- Three or four RL9018SS (5kg-250 kg) or RLHTO (500kg-5,000 kg) stainless steel, hermetically sealed single-ended beam load cells
- 25ft of our hostile environment EL147HE SURVIVOR® load cell cable

Standard Features

- All stainless steel construction
- Hermetically sealed, stainless steel load cells, IP66/68, guaranteed waterproof
- OIML certified load cells from 5 kg-5,000 kg
- Bolt-in-place design; module bolts directly to tank leg without requiring additional load buttons or mounting plates
- Self-checking with lift-off/tip-over protection and jacking/shipping bolts
- Load cell is isolated from overload in all directions
- Weldless construction retains less residue and allows fast, thorough cleaning
- Two-year limited warranty

Applications

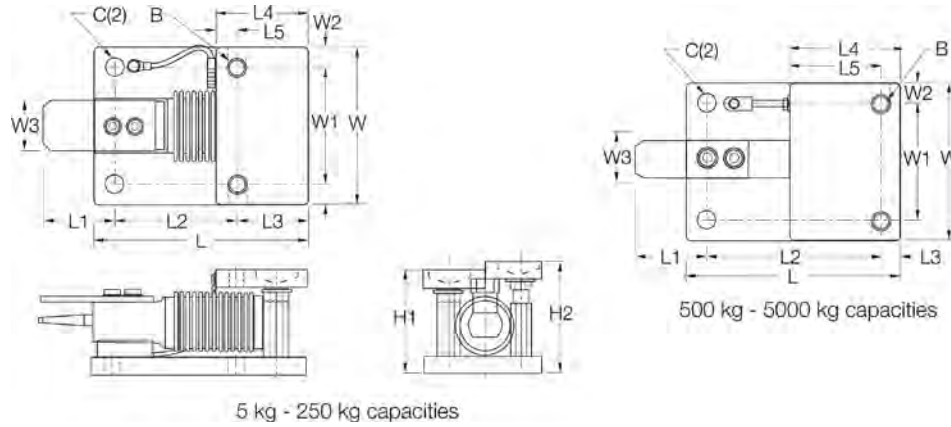
- Multi-ingredient micro-batching
- Meat and poultry processing
- Batching/blending
- Dye/ink blending

Load Cell Certifications



RL1700 HE

Light- to Medium-capacity Weigh Modules



Dimensions

Rated Capacity	C	B	*H1	**H2	L	L1	L2	L3	L4	L5	W	W1	W2	W3
kg/mm														
5-250	12.9	1/2-20 UNF	80.0	86.1	131.8	63.7	76.0	42.0	56.0	13.97	96.0	70.0	12.9	25.4
500-2,000	12.9	5/8-18 UNF	101.6	109.4	165.0	70.0	129.5	14.9	80.0	59.94	110.0	70.0	20.0	31.7
5,000	20.0	3/4-10 UNC	135.0	143.0	215.0	81.0	161.0	20.0	90.0	70.5	150.0	90.0	30.0	40.0
lb/in														
11-550	0.53	1/2-20 UNF	3.13	3.39	5.19	2.52	2.99	1.65	2.20	0.56	3.99	2.76	0.62	1.00
1,100-4,400	0.53	5/8-18 UNF	4.00	4.31	6.50	2.80	5.10	0.61	2.97	2.36	4.33	2.76	0.79	1.25
11,000	0.78	3/4-10 UNC	5.31	5.63	8.46	3.19	6.34	0.79	3.56	2.78	5.91	3.54	1.18	1.57

* In weighing position ** In jacked-up position for load cell shipping or removal

Order Information

Load Rating (Per Module)	Part #	Price
OIML C3-Certified Load Cells Included		
5 kg	32687	\$875.00
10 kg	32688	\$875.00
20 kg	32689	\$875.00
50 kg	32690	\$875.00
100 kg	32691	\$875.00
200 kg	32692	\$875.00
250 kg	32693	\$875.00
500 kg	32974	\$1,065.00
1,000 kg	32973	\$1,065.00
2,000 kg	32972	\$1,065.00
5,000 kg	32971	\$1,315.00
3-Module Kit		
5 kg	32920	\$2,825.00
10 kg	32921	\$2,825.00
20 kg	32922	\$2,825.00
50 kg	32923	\$2,825.00
100 kg	32924	\$2,825.00
200 kg	32925	\$2,825.00
250 kg	32926	\$2,825.00
500 kg	32980	\$3,380.00
1,000 kg	32981	\$3,380.00
2,000 kg	32982	\$3,380.00
5,000 kg	32983	\$4,215.00
4-Module Kit		
5 kg	32927	\$3,730.00
10 kg	32928	\$3,730.00
20 kg	32929	\$3,730.00
50 kg	32930	\$3,730.00
100 kg	32931	\$3,730.00
200 kg	32932	\$3,730.00
250 kg	32933	\$3,730.00
500 kg	32984	\$4,450.00
1,000 kg	32985	\$4,450.00
2,000 kg	32986	\$4,450.00
5,000 kg	32987	\$5,260.00