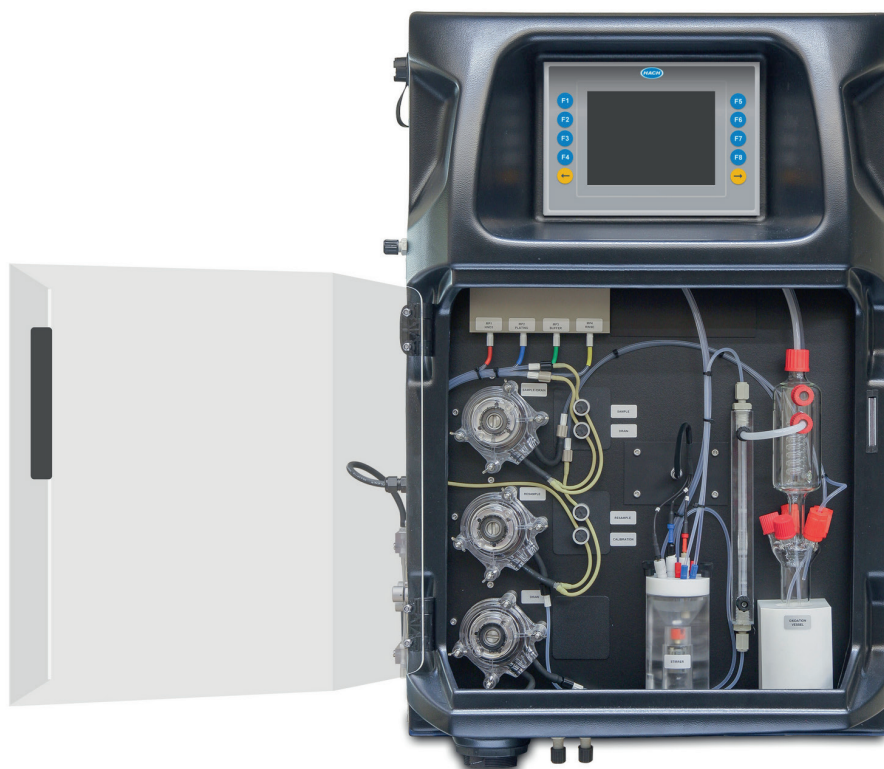


EZ6000 Series Zinc Trace Metal Analyzers

Applications

- Drinking Water
- Surface Water
- Industrial Effluent



Trace metal analysis of dissolved and total Zinc in water by online voltammetry

About the 6000 Series

The EZ6000 Series of online Trace Metal Analyzers are based on the technology of stripping voltammetry, a sensitive analytical technique that can be automated for the determination of trace levels of metals in water. For many metals the EZ6000 Series boasts limits of quantification in the low ppb range.

EZ6000 Analyzers can be equipped with an add-on sample digestion unit that has been designed specifically for samples with higher organic contents, suspended particles and changing composition. The optional combination with an external filtration system allows for detection and measurement of trace metals in a wide range of water matrices.

The EZ6000 Series Analyzers combine tried and tested voltammetry technology in an industrial mainframe with prime features:

- Excellent selectivity and sensitivity
- Standard measuring ranges with optional internal dilution
- Smart automatic features
- Control and communication via industrial panel PC
- Analog and digital output options
- Multiple stream analysis

Options for the determination of Zinc include: Zinc, dissolved Zn(II) and Zinc, total after digestion. A combined analysis is possible with Cadmium or Lead.

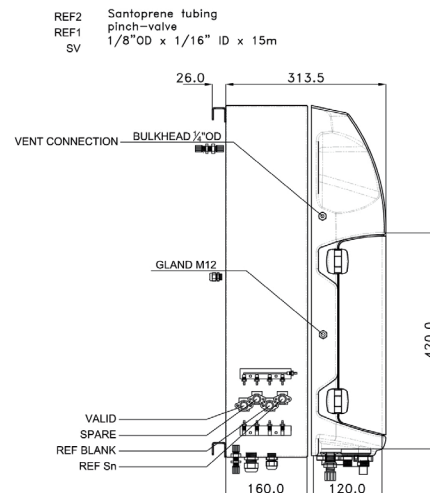
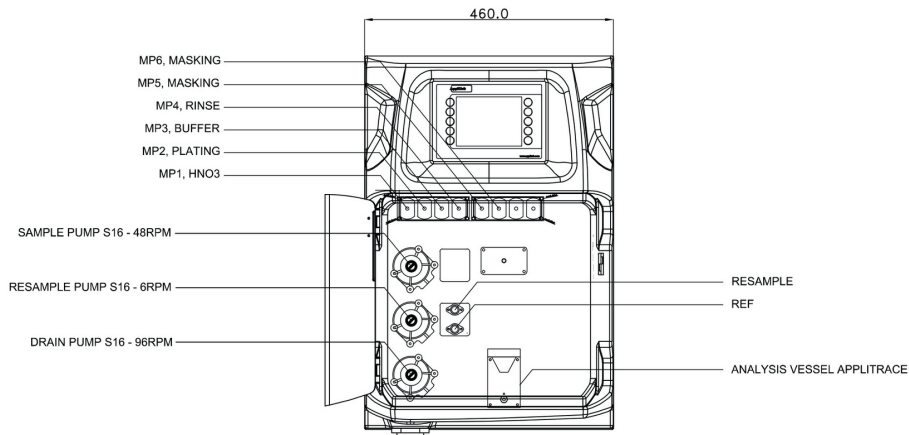
Technical Data*

Parameter	Zinc, dissolved Zn(II)	Zinc, dissolved Zn(II)
Measurement Method	Stripping voltammetry using gold electrode	Stripping voltammetry using gold electrode
Range	0 - 100 µg/L	0 - 100 µg/L
Precision	Better than 5% full scale range for standard test solutions	Better than 5% full scale range for standard test solutions
Lower Limit of Detection (LOD)	≤ 1 µg/L	≤ 1 µg/L
Cycle Time	10 minutes (dilution + 5 min)	20 minutes (dilution + 5 min)
Interferences	Copper (II) > 100 µg/L, organic matter may interfere. Fats, oil, proteins, surfactants and tar.	Copper (II) > 100 µg/L, organic matter may interfere. Fats, oil, proteins, surfactants and tar.
Cooling Water	Not required	Flow rate approx. 5 L/h; temperature max. 30 °C (86 °F); pressure max. 0.5 bar
Power	110 - 240 VAC, 4 A, 50/60 Hz, max. power consumption 150 VA	220 - 240 VAC, 4 A, 50/60 Hz, max. power consumption 440 VA; 110 VAC version also available (see configurator)
Automatic cleaning	Yes	
Calibration	Automatic, 2-point; frequency freely programmable	
Validation	Automatic; frequency freely programmable	
Ambient Temperature	10 - 30 °C ±4 °C deviation (50 - 86 °F ±7.2 °F deviation) at 5 - 95% relative humidity (non-condensing)	
Reagent Requirements	Keep between 10 - 30 °C (50 - 86 °F)	
Sample Pressure	By external overflow vessel	
Sample Flow Rate	100 - 300 mL/min	
Sample Temperature	10 - 30 °C (50 - 86 °F)	
Sample Quality	Maximum particle size 100 µm, < 0.1 g/L; Turbidity < 50 NTU	
Instrument Air	Dry and oil free according to ISA-S7.0.01-1996 quality standard for instrument air	
Demineralized Water	For rinsing and/or dilution	
Drain	Atmospheric pressure, vented, min. Ø 64 mm	
Earth Connection	Dry and clean earth pole with low impedance (< 1 Ohm) using an earth cable of > 2.5 mm ²	
Analog Outputs	Active 4 - 20 mA max. 500 Ohm load, standard 1, max. 8 (option)	
Digital Outputs	Modbus, RS232, RS485	
Alarm	1 x malfunctioning, 4 x user-configurable, max. 24 VDC/0.5 A, potential free contacts	
Protection Class	Analyzer cabinet: IP55 / Panel PC: IP65	
Material	Hinged part: Thermoform ABS, door: plexiglass Wall section: Galvanized steel, powder coated	
Dimensions (H x W x D)	690 mm x 465 mm x 330 mm	
Weight	25 kg (55 lbs.)	
Certifications	CE compliant / UL certified	

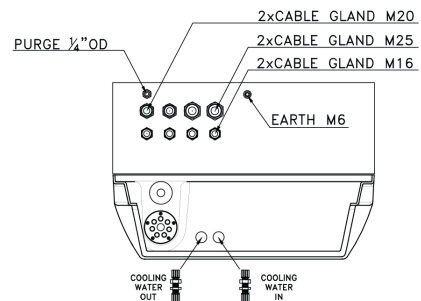
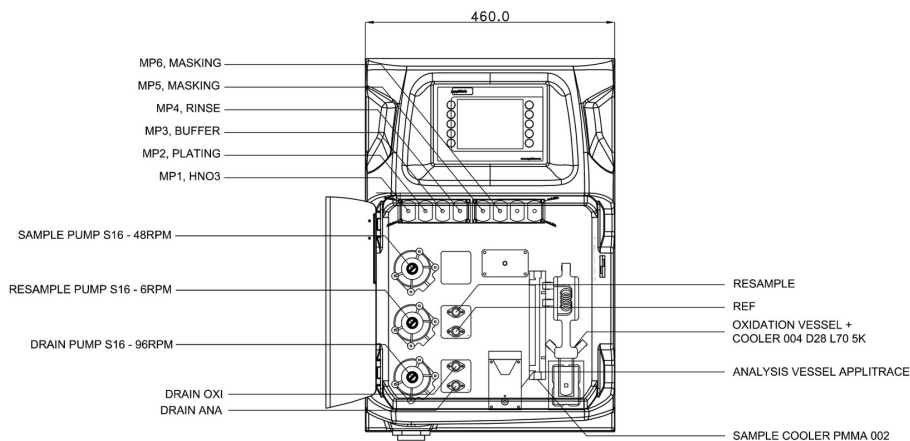
*Subject to change without notice.

Dimensions

Zinc, dissolved Analyzer



Total Zinc Analyzer with digestion unit



Be confident with Hach Service

Start-Up/Commissioning: Our service technicians visit your site and setup instrumentation, provide basic end-user training on operations and maintenance, and validate settings and performance to get you started.

Service Agreement: Hach provides on-site and in-factory repair, preventive maintenance, and calibration programs for your instruments to ensure reliability and instrument up-time. We have services to fit your specific needs.

Order Information - Part Number Configurator

Zinc, dissolved Zn(II), standard range 0-100 µg/L	EZ6010.99						
Zinc, dissolved Zn(II) & Cadmium, dissolved Cd(II), standard range 0-100 µg/L	EZ6104.99						
Zinc, dissolved Zn(II) & Lead, dissolved Pb(II), standard range 0-100 µg/L	EZ6106.99	X	X	X	X	X	2
Zinc, dissolved Zn(II) & Cadmium, dissolved Cd(II) & Lead, dissolved Pb(II), standard range 0-100 µg/L	EZ6109.99						
Measurement range settings / Dilution options							
Standard range		0					
Internal micropump dilution (factor 4)		1					
Customized		Z					
Power supply							
Standard 110 - 240 VAC; 50/60 Hz		0					
Customized		Z					
Number of sample streams							
1 stream						1	
2 streams						2	
3 streams						3	
4 streams						4	
5 streams						5	
6 streams						6	
Outputs							
1x mA							1
2x mA							2
3x mA							3
4x mA							4
5x mA							5
6x mA							6
7x mA							7
8x mA							8
RS232							A
Modbus TCP/IP							B
Modbus RS485							C
1x mA + Modbus RS485							E
2x mA + Modbus RS485							F
3x mA + Modbus RS485							G
4x mA + Modbus RS485							H
1x mA + Modbus TCP/IP							I
2x mA + Modbus TCP/IP							J
3x mA + Modbus TCP/IP							K
4x mA + Modbus TCP/IP							L
Customized / combined							Z
Specials							
No adaption, standard version							0
Customer specific adaptations required, to specify							S

Order Information - Part Number Configurator

Zinc, total, standard range 0-100 µg/L	EZ6208.99						
Zinc, total & Cadmium, total, standard range 0-100 µg/L	EZ6303.99						
Zinc, total & Lead, total, standard range 0-100 µg/L	EZ6305.99	X	X	X	X	X	2
Zinc, total & Cadmium, total & Lead, total, standard range 0-100 µg/L	EZ6308.99						
Measurement range settings / Dilution options							
Standard range		0					
Internal micropump dilution (factor 4)		1					
Internal micropump dilution (factor 10)		3					
Internal micropump dilution (factor 20)		4					
Customized		Z					
Power supply							
220 VAC / 50 Hz						A	
110 VAC / 60 Hz						B	
Customized						Z	
Number of sample streams							
1 stream						1	
2 streams						2	
3 streams						3	
4 streams						4	
5 streams						5	
6 streams						6	
Outputs							
1x mA						1	
2x mA						2	
3x mA						3	
4x mA						4	
5x mA						5	
6x mA						6	
7x mA						7	
8x mA						8	
RS232						A	
Modbus TCP/IP						B	
Modbus RS485						C	
1x mA + Modbus RS485						E	
2x mA + Modbus RS485						F	
3x mA + Modbus RS485						G	
4x mA + Modbus RS485						H	
1x mA + Modbus TCP/IP						I	
2x mA + Modbus TCP/IP						J	
3x mA + Modbus TCP/IP						K	
4x mA + Modbus TCP/IP						L	
Customized / combined						Z	
Specials							
No adaption, standard version							0
Customer specific adaptations required, to specify							S

DOC053.53.35209.May19

Hach World Headquarters: Loveland, Colorado USA

United States: 800-227-4224 tel 970-669-2932 fax orders@hach.com

Outside United States: 970-669-3050 tel 970-461-3939 fax int@hach.com

hach.com



Be Right™