

RL-MCS

MECHANICAL CHAIR SCALE

16 INCH WIDE SEAT

The RL-MCS mechanical chair scale is designed for weighing those who find it difficult or unsafe to stand on a conventional scale. The smooth, durable molded plastic seat is comfortable, and the swing-up arms lift for easy patient transport. The sturdy, enameled steel frame has four heavy-duty wheels for easy, quiet maneuvering. Clinics, nursing homes, and rehabilitation centers will find the sleek, professional design easy to clean.

FEATURES

- Capacity: Lb only beam 440 lb x 4 oz;
kg only beam 200 kg x 100 g
- Swing-up arms for easy access and exit
- Fold-up footrest
- Sturdy, enameled steel frame
- Dual-read die cast beam
- Polypropylene seat with ABS armrest
- Heavy duty wheels - two back wheels lock, two front wheels swivel

SPECIFICATIONS

Capacity:

Lb only beam 440 lb x 4 oz
Kg only beam 200 kg x 100 g

Warranty:

Two-year limited warranty



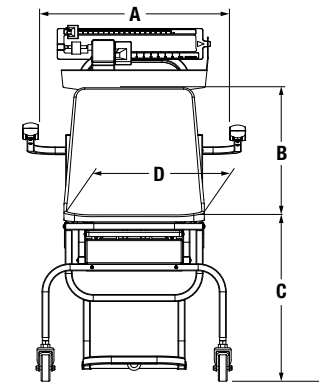


SHIPPING WEIGHT

PART #	MODEL #	L (IN)	W (IN)	H (IN)	PACKAGE WGT. (LB)	DIM WGT. (LB)	SHIPPING WGT. (LB)
172098	RL-MCS-LB	29	25	25	79	131	131
172099	RL-MCS-KG	29	25	25	79	131	131

DIMENSIONS

	INCHES	CENTIMETERS
A	21.5	54.7
B	14.2	36
C	14.8	37.5
D	16	40.6
E	35.7	90.8
F	38.4	97.5



MECHANICAL CHAIR SCALE

MODEL	CAPACITY	PART #
RL-MCS-LB	450lb x 4oz	172098
RL-MCS-KG	200kg x 100g	172099

