

# CFD8

## Ceiling Fire Dampers

### UL Classified Radiation Dampers



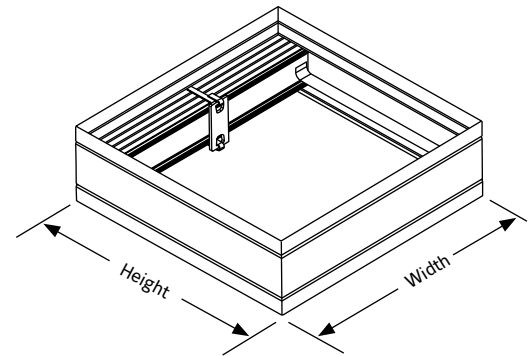
#### APPLICATION

UL Fire Rated Floor/Ceiling Assemblies and Roof/Ceiling Assemblies require specially tested and classified Ceiling Dampers (also called Ceiling Fire Dampers or Radiation Dampers) to provide fire and heat protection where HVAC components penetrate the ceiling membrane. Standard, 1 1/2 and 3 hr. primary fire dampers DO NOT provide the necessary protection.

Ruskin model CFD8 is UL Classified to provide protection of ceiling openings in fire rated floor/ceiling assemblies with fire resistance ratings of 3 hours or less.

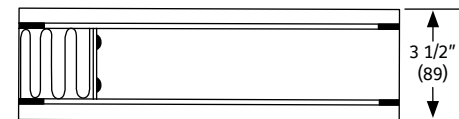
#### WOOD TRUSS CEILING APPLICATION

The Ruskin CFD7, CFDR7T and CFD7T series ceiling fire dampers are designed for wood construction floor/ceiling or roof/ceiling assemblies. Standard CFD8 does not have the same fire resistance rating for wood construction and should not be used.



#### STANDARD CONSTRUCTION

<b>Frame</b>	Galvanized steel (in gauges required by UL listing R8039).
<b>Blade</b>	Galvanized steel (in gauges required by UL listing R8039).
<b>Fusible Link</b>	165°F (74°C) is standard. 212°F (100°C) is available at no additional cost.
<b>Minimum Size</b>	6"w x 6"h (152 x 152).
<b>Minimum UL Classified Size</b>	18"w x 18"h (457 x 457).



#### OPTIONS

VA Volume Adjust to balance airflow.

**Model CFD8 meets the requirements for fire/radiation dampers established by:**

- ▶ National Fire Protection Association NFPA Standards 80, 90A, 92A, 92B, and 101.
- ▶ ICC International Building Codes.
- ▶ CSFM California State Fire Marshal Listing (3225-0245:0101)

#### UL CLASSIFIED & ULC LISTED

UL555C Classification R8039

NOTE:  
- Dimensions in parentheses ( ) indicate millimeters.

**i LINKS TO IMPORTANT DOCUMENTS**

**Document Title**

Installation instructions



3900 Doctor Greaves Road  
Grandview, MO 64030  
Website: [www.ruskin.com](http://www.ruskin.com)  
Phone: (816) 761-7476