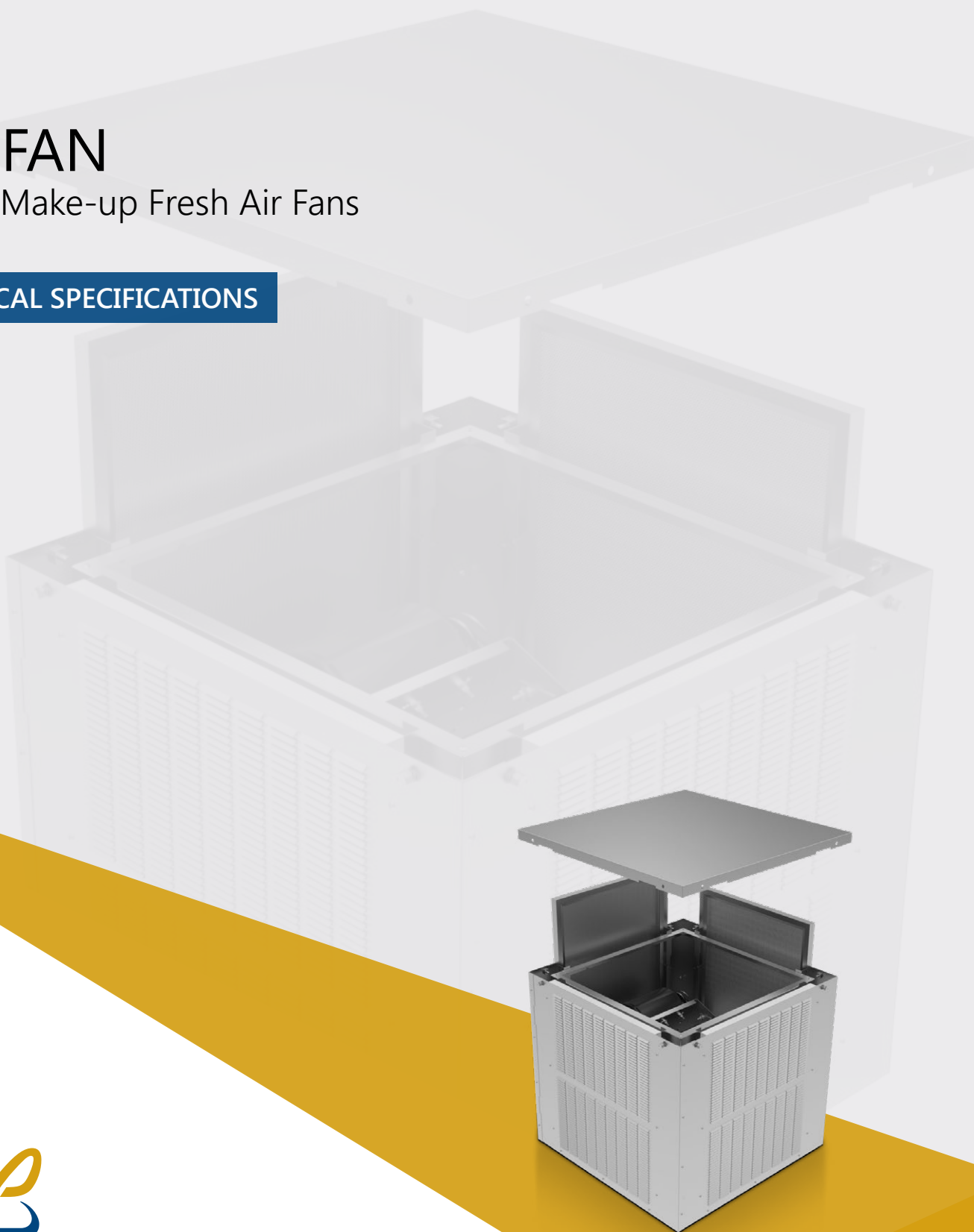


MUFFAN

Filtered Make-up Fresh Air Fans

TECHNICAL SPECIFICATIONS



PENNBARRY™

BULLETIN MU18

TABLE OF CONTENTS

INTRODUCTION	3
CERTIFICATIONS & LISTINGS	4
DIMENSIONS MU & FS	5
MU DIRECT DRIVE	6
MU BELT DRIVE	7-9
FS BELT DRIVE	10-11

INTRODUCTION

Direct Drive Units

PennBarry's Muffan replaces foul or contaminated air that is removed by a building's exhaust system.

Such make-up air is so essential that it is part of safety and building code requirements for commercial kitchens, chemical laboratories, electrical control rooms and anywhere gas equipment is installed. Proper make-up air provisions should be part of every building plan.

Without adequate make-up air, air starvation can create negative pressures within a structure. Doors open with difficulty. Dirt, insects, and debris are drawn in through entrances. Fumes and odors accumulate. Pilot lights operate erratically. Moisture is sucked in through cracks in roofs and walls and around windows and doors. Air becomes stale. Backdrafts occur. Air handling systems operate ineffectively, inefficiently, and expensively. Heated or cooled air is wasted when make-up air is not properly considered.

On the other hand, uncontrolled airflow through windows and doors creates drafts, lets heat escape, and admits moisture, dust, dirt, and pollen.

The Muffan's ability to regulate airflow ensures proper replacement air volume under varying conditions. The Muffan can be coordinated to match the exhaust velocity required to remove fumes, vapors, and grease while providing sufficient oxygen, thus feeding the system effectively.

Belt Drive Units

Larger belt drive models extend the range of the Muffan. Now, clean air volumes approaching 14,000 CFM can be supplied to replace exhausted air and fumes.

Blowers are of an efficient, double inlet, forward-curved design in strong, die-formed steel housings. Variable pitch pulleys allow adjustment in RPM for more precise regulation of airflow. Motors, belts, pulleys and other components form a dependable, durable and quiet-operating assembly, easily balanced to meet system requirements.

MU Models

The housing's louvered sides permit a direct air path, giving the housing a low profile to the roof. Cleanable, permanent filters back-up each louvered side to prevent airborne contaminants from entering. Filters are easily removed for cleaning.

An integral mounting base permits easy installation on a roof curb. Roof curbs speed, simplify, and coordinate installation of roof-mounted supply and exhaust equipment. PennBarry offers an extensive variety of curbs for mounting on flat and sloped roofs.



Muffan Model MU

Model: MU

- Static pressure up to 1.0" wg.
- Direct Drive - Flow capacity up to 3,730 CFM
- Belt Drive - Flow capacity up to 14,426 CFM



Muffan Model FS

Model: FS - Side Intake

- Static pressure up to 1.5" wg.
- Belt Drive - Flow capacity up to 12,721 CFM

CERTIFICATIONS & LISTINGS



AMCA Certification

PennBarry certifies that the Muffan models shown on pages 7 and 8 are licensed to bear the AMCA Seal. The ratings shown are based on tests and procedures performed in accordance with AMCA Publication 211 and comply with the requirements of the AMCA Certified Ratings Program. Excluding MU6020 and direct drive models.

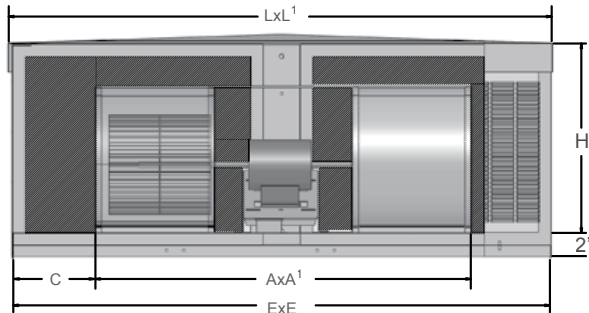


cULus Certification

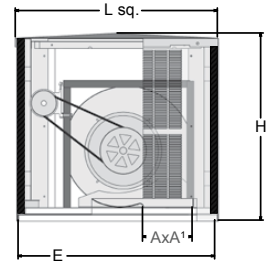
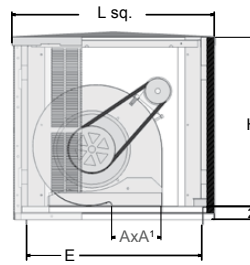
All Muffan fans carry the UL label, UL705 (ZACT/ZACT7), file #E28413.

High Velocity Hurricane Zone (HVHZ), Miami-Dade NOA #17-0112.08, Florida Product Approval #21559

DIMENSIONS | MU & FS



Direct Drive MU



Belt Drive MU

MU Direct Drive

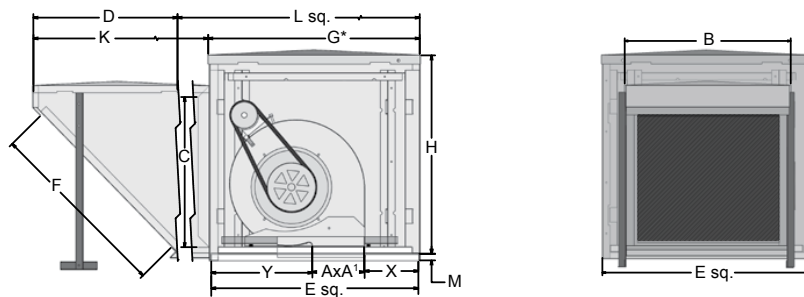
Model	Dimensional Data						
	L	L¹	H	C	A	A¹	ExE
MU10	25	21	16	4¾	16¼	4¼	25x19
MU20	43	22	16	6½	30	4¼	43x20
MU30	43	22	16	3	37	6⅞	43x20

All dimensions in inches

MU Belt Drive

Model	Dimensional Data				
	L	H	A	A¹	E
MU3010	28½	24	11⅞	13⅞	22½
MU4012	36½	27	13 ⅞	15⅞	27½
MU4015	36½	27	15⅞	18⅞	27½
MU5018	45	27	19⅞	22⅞	31
MU6020	58½	47	24½	24½	58

All dimensions in inches



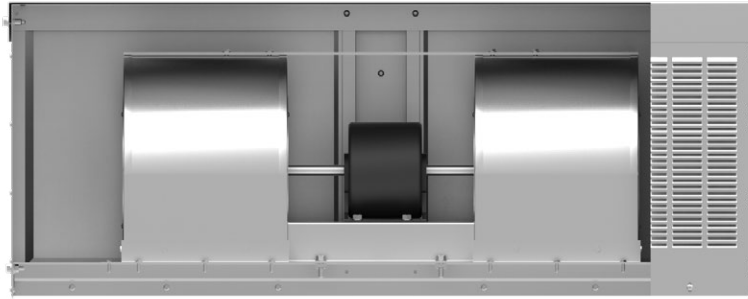
Belt Drive FS

Belt Drive FS

Model	E* Sq.	Ro Sq.	L Sq.	H	Y	Outlet A x A1		X	Inlet Duct		D	F	G**	K	M	Qty/Size (WxH) of Filters
						C	B		C	B						
FS10B	28 ⅞	20	28 ⅞	27 ⅞	8	11 ½	13	8 ⅞	22 ½	22 ⅞	23 ⅞	27 ⅞	120	19 ⅞	2	(1) 21 ½ x 26 ¼
FS12B	32 ⅞	24	32 ⅞	31 ⅞	8 ⅞	13 ½	15 ½	10 ¼	26 ¾	26 ⅞	27 ¾	33 ⅞	120	23 ⅞	2	(1) 25 ¾ x 32 ¼
FS15B	32 ⅞	24	32 ⅞	31 ⅞	7 ½	15 ⅞	18 ⅞	9	26 ¾	26 ⅞	27 ¾	33 ⅞	120	23 ⅞	2	(1) 25 ¾ x 32 ¼
FS18B	36 ⅞	28	36 ⅞	35 ⅞	6 ⅞	18 ⅞	21 ¾	10 ⅞	30 ½	30 ⅞	31 ⅞	38 ½	120	27 ¼	2 ½	(2) 18 ¾ x 29 ½
FS20B	48 ⅞	40	48 ⅞	52 ⅞	11 ⅞	24 ⅞	24 ¾	12 ⅞	42	42 ⅞	43	54 ⅞	120	38 ¾	3 ½	(2) 26 ⅞ x 41

All dimensions in inches. *Outside dimension of curb should be 1 ½" less than 'E' dimension. ** With optional extension only.

MU | DIRECT DRIVE



Model	RPM	0.00" S.P.		.100" S.P.		.125" S.P.		.250" S.P.		.375" S.P.		.500" S.P.		.625" S.P.		.750" S.P.		.875" S.P.		1.000" S.P.		
		CFM	BHP	CFM	BHP	CFM	BHP	CFM	BHP	CFM	BHP	CFM	BHP	CFM	BHP	CFM	BHP	CFM	BHP	CFM	BHP	
MU10V*	500	485	0.02	295	0.01	-	-	-	-	-	-	-	-	-	-	-	-	-	-	-	-	-
	950	921	0.12	880	0.12	850	0.12	685	0.1	525	0.08	-	-	-	-	-	-	-	-	-	-	-
	1000	970	0.12	935	0.13	905	0.13	745	0.12	630	0.1	-	-	-	-	-	-	-	-	-	-	-
	1050	1020	0.13	985	0.14	960	0.14	810	0.13	715	0.13	575	0.12	-	-	-	-	-	-	-	-	-
MU10R	1450	1485	0.58	1415	0.55	1400	0.54	1315	0.49	1240	0.45	1160	0.41	1065	0.35	965	0.3	790	0.2	350	0.04	
	1550	1590	0.66	1525	0.64	1510	0.63	1430	0.6	1355	0.56	1280	0.53	1200	0.49	1110	0.44	1020	0.39	855	0.29	
MU20** (1/2 HP)	500	1165	0.05	645	0.05	515	0.05	-	-	-	-	-	-	-	-	-	-	-	-	-	-	-
	680	1585	0.15	1295	0.15	1215	0.15	620	0.1	-	-	-	-	-	-	-	-	-	-	-	-	-
	760	1775	0.2	1540	0.2	1445	0.2	895	0.15	300	0.1	-	-	-	-	-	-	-	-	-	-	-
	790	1845	0.25	1620	0.2	1525	0.2	1015	0.15	490	0.1	-	-	-	-	-	-	-	-	-	-	-
	830	1935	0.3	1705	0.25	1625	0.25	1165	0.2	750	0.15	100	0.1	-	-	-	-	-	-	-	-	-
	870	2030	0.35	1810	0.3	1735	0.3	1400	0.25	905	0.2	305	0.15	-	-	-	-	-	-	-	-	-
	910	2125	0.4	1900	0.35	1835	0.35	1545	0.3	1050	0.25	545	0.15	-	-	-	-	-	-	-	-	-
	940	2195	0.4	1970	0.4	1910	0.4	1645	0.35	1130	0.3	795	0.2	165	0.15	-	-	-	-	-	-	-
	970	2265	0.45	2030	0.45	1985	0.45	1745	0.4	1250	0.3	910	0.25	335	0.15	-	-	-	-	-	-	-
	1000	2335	0.5	2100	0.5	2060	0.5	1840	0.45	1355	0.35	1035	0.3	490	0.2	-	-	-	-	-	-	-
	1020	2380	0.55	2145	0.5	2105	0.5	1895	0.45	1400	0.4	1100	0.3	640	0.25	140	0.15	-	-	-	-	-
	1075	2395	0.55	2150	0.5	2110	0.5	1900	0.45	1650	0.45	1360	0.45	1120	0.4	640	0.3	-	-	-	-	-
MU30*** (1HP)	500	1775	0.1	1230	0.05	1065	0.05	-	-	-	-	-	-	-	-	-	-	-	-	-	-	-
	580	2060	0.15	1595	0.15	1475	0.1	480	0.05	-	-	-	-	-	-	-	-	-	-	-	-	-
	680	2410	0.25	1685	0.2	1930	0.2	1335	0.15	375	0.05	-	-	-	-	-	-	-	-	-	-	-
	780	2765	0.4	2410	0.35	2300	0.35	1895	0.25	1090	0.1	385	0.05	-	-	-	-	-	-	-	-	-
	820	2910	0.45	2565	0.4	2485	0.4	2085	0.35	1510	0.2	655	0.05	-	-	-	-	-	-	-	-	-
	860	3050	0.55	2720	0.5	2660	0.5	2265	0.4	1810	0.3	950	0.1	285	0.05	-	-	-	-	-	-	-
	900	3195	0.6	2860	0.6	2795	0.55	2440	0.45	2030	0.4	1260	0.15	615	0.1	-	-	-	-	-	-	-
	960	3405	0.75	3105	0.7	3020	0.65	2725	0.6	2340	0.5	1870	0.35	1050	0.15	505	0.1	-	-	-	-	-
	990	3510	0.8	3200	0.75	3130	0.75	2855	0.65	2485	0.6	2070	0.45	1280	0.2	705	0.1	-	-	-	-	-
	1020	3620	0.9	3220	0.8	3240	0.8	2980	0.75	2620	0.65	2245	0.55	1525	0.3	910	0.15	370	0.1	-	-	-
	1050	3725	1	3420	0.9	3350	0.9	3100	0.85	2760	0.7	2405	0.6	1870	0.4	1140	0.2	620	0.1	-	-	-
	1075	3730	1	3450	1	3400	0.9	3180	0.85	2950	0.8	2660	0.7	2300	0.65	1890	0.45	1260	0.4	-	-	-

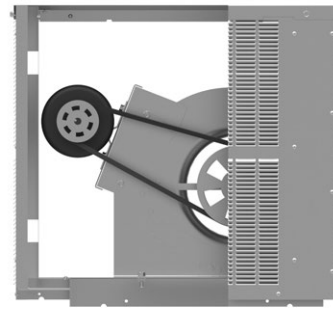
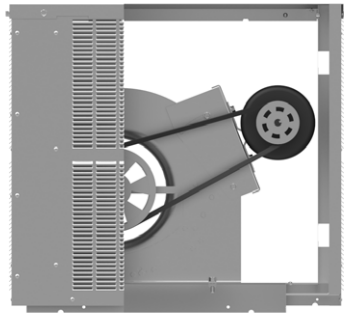
Speed (RPM) shown is nominal. Performance is based on actual speed of test. Other speeds listed are obtainable by using matching Lek-Trol™ speed controller. Performance shown is for installation type B - free inlet, ducted outlet. All static pressures shown are EXTERNAL. 0" S.P. INCLUDES all fan housing losses including the drop across CLEAN filters. Ratings include the effects of filters in the airstream.

* Outlet Velocity = CFM / .75 Tip Speed = 1.9 x RPM.

** Outlet Velocity = CFM / .66 Tip Speed = 2.1 x RPM.

*** Outlet Velocity = CFM / .87 Tip Speed = 2.4 x RPM.

MU | BELT DRIVE



MU3010

HP	RPM	0.00" S.P.		.125" S.P.		.250" S.P.		.375" S.P.		.500" S.P.		.625" S.P.		.750" S.P.		.875" S.P.	
		CFM	BHP	CFM	BHP	CFM	BHP	CFM	BHP	CFM	BHP	CFM	BHP	CFM	BHP	CFM	BHP
1/4	400	1346	0.1	808	0.05	-	-	-	-	-	-	-	-	-	-	-	-
	500	1683	0.18	1302	0.12	-	-	-	-	-	-	-	-	-	-	-	-
	569	1915	0.27	1591	0.2	1162	0.13	-	-	-	-	-	-	-	-	-	-
	590	1986	0.3	1676	0.23	1285	0.16	-	-	-	-	-	-	-	-	-	-
	610	2053	0.33	1756	0.26	1399	0.19	-	-	-	-	-	-	-	-	-	-
1/3	625	2104	0.35	1816	0.28	1476	0.21	-	-	-	-	-	-	-	-	-	-
	650	2188	0.4	1914	0.33	1589	0.25	1104	0.17	-	-	-	-	-	-	-	-
1/2	675	2272	0.44	2012	0.37	1701	0.29	1279	0.21	-	-	-	-	-	-	-	-
	699	2353	0.49	2105	0.42	1806	0.34	1436	0.25	-	-	-	-	-	-	-	-
	720	2424	0.54	2185	0.46	1897	0.38	1559	0.29	366	0.09	-	-	-	-	-	-
	740	2491	0.58	2259	0.51	1982	0.42	1674	0.34	1207	0.23	-	-	-	-	-	-
3/4	760	2558	0.63	2332	0.55	2066	0.46	1783	0.38	1341	0.28	-	-	-	-	-	-
	780	2626	0.68	2405	0.6	2148	0.51	1874	0.42	1481	0.32	-	-	-	-	-	-
	800	2693	0.74	2478	0.65	2230	0.56	1964	0.47	1616	0.37	-	-	-	-	-	-

Power rating (BHP) includes transmission losses. Outlet Velocity = CFM ÷ 1.41. Tip Speed 3.3 x RPM. Performance certified is for installation type B: free inlet, ducted outlet. Performance ratings include the effects of filters in the airstream.

MU4012

HP	RPM	0.00" S.P.		.125" S.P.		.250" S.P.		.375" S.P.		.500" S.P.		.625" S.P.		.750" S.P.		.875" S.P.		1.000" S.P.	
		CFM	BHP	CFM	BHP	CFM	BHP	CFM	BHP	CFM	BHP	CFM	BHP	CFM	BHP	CFM	BHP	CFM	BHP
1/4	400	2355	0.24	1950	0.2	-	-	-	-	-	-	-	-	-	-	-	-	-	-
1/3	440	2590	0.32	2255	0.28	1550	0.18	-	-	-	-	-	-	-	-	-	-	-	-
	460	2710	0.36	2410	0.33	1810	0.24	-	-	-	-	-	-	-	-	-	-	-	-
1/2	480	2825	0.41	2570	0.39	2040	0.29	-	-	-	-	-	-	-	-	-	-	-	-
	500	2945	0.46	2720	0.45	2225	0.35	1420	0.19	-	-	-	-	-	-	-	-	-	-
3/4	540	3180	0.58	3005	0.58	2570	0.48	1915	0.34	-	-	-	-	-	-	-	-	-	-
	560	3300	0.65	3140	0.64	2715	0.54	2175	0.42	-	-	-	-	-	-	-	-	-	-
1	600	3535	0.8	3410	0.79	3020	0.7	2620	0.59	1800	0.38	-	-	-	-	-	-	-	-
	620	3650	0.88	3540	0.88	3175	0.79	2795	0.68	2155	0.5	-	-	-	-	-	-	-	-
	660	3885	1.06	3790	1.06	3480	0.98	3135	0.87	2675	0.72	1765	0.43	-	-	-	-	-	-
1 1/2	680	4005	1.16	3910	1.16	3645	1.11	3295	0.98	2895	0.84	2185	0.6	-	-	-	-	-	-
	700	4120	1.27	4030	1.27	3795	1.23	3435	1.08	3080	0.95	2515	0.75	-	-	-	-	-	-
	720	4240	1.38	4155	1.38	3940	1.35	3590	1.19	3260	1.07	2775	0.88	1870	0.54	-	-	-	-
	740	4360	1.5	4275	1.5	4080	1.47	3740	1.32	3435	1.2	3015	1.02	2305	0.74	-	-	-	-

Power rating (BHP) includes transmission losses. Outlet Velocity = CFM ÷ 1.41. Tip Speed 3.3 x RPM. Performance certified is for installation type B: free inlet, ducted outlet. Performance ratings include the effects of filters in the airstream.

MU | BELT DRIVE

MU4015

HP	RPM	0.00" S.P.		.125" S.P.		.250" S.P.		.375" S.P.		.500" S.P.		.625" S.P.		.750" S.P.		.875" S.P.		1.000" S.P.	
		CFM	BHP	CFM	BHP	CFM	BHP	CFM	BHP	CFM	BHP	CFM	BHP	CFM	BHP	CFM	BHP	CFM	BHP
1/3	340	3525	0.4	2765	0.28	1165	0.1	-	-	-	-	-	-	-	-	-	-	-	-
	360	3730	0.48	3025	0.35	1865	0.18	-	-	-	-	-	-	-	-	-	-	-	-
1/2	380	3940	0.56	3285	0.42	2365	0.26	-	-	-	-	-	-	-	-	-	-	-	-
	400	4145	0.66	3545	0.51	2740	0.35	-	-	-	-	-	-	-	-	-	-	-	-
3/4	420	4355	0.76	3795	0.6	3060	0.44	1580	0.21	-	-	-	-	-	-	-	-	-	-
	460	4770	1	4275	0.83	3640	0.66	2775	0.45	-	-	-	-	-	-	-	-	-	-
1	480	4975	1.13	4505	0.96	3900	0.78	3170	0.58	1605	0.28	-	-	-	-	-	-	-	-
	500	5180	1.28	4735	1.1	4165	0.91	3530	0.71	2380	0.44	-	-	-	-	-	-	-	-
1 1/2	520	5390	1.44	4955	1.25	4420	1.06	3830	0.86	2935	0.6	-	-	-	-	-	-	-	-
	560	5805	1.8	5405	1.59	4945	1.39	4410	1.18	3770	0.94	2695	0.62	-	-	-	-	-	-
2	580	6010	2	5625	1.78	5195	1.57	4670	1.36	4120	1.13	3245	0.82	1905	0.45	-	-	-	-
	600	6220	2.21	5850	1.99	5440	1.77	4935	1.55	4420	1.31	3720	1.03	2475	0.66	-	-	-	-
3	620	6425	2.44	6070	2.21	5680	1.98	5200	1.76	4715	1.52	4100	1.25	3155	0.89	1465	0.46	-	-
	640	6635	2.68	6290	2.45	5920	2.21	5455	1.98	5000	1.74	4460	1.47	3670	1.14	2345	0.72	-	-
	660	6840	2.94	6505	2.7	6155	2.46	5715	2.22	5275	1.97	4790	1.71	4135	1.39	3105	0.99	1255	0.5

Power rating (BHP) includes transmission losses. Outlet Velocity = CFM ÷ 1.41. Tip Speed 3.3 x RPM. Performance certified is for installation type B: free inlet, ducted outlet. Performance ratings include the effects of filters in the airstream.

MU5018

Hp	RPM	0.000" SP		0.125" SP		0.250" SP		0.375" SP		0.500" SP		0.625" SP		0.750" SP	
		CFM	BHP	CFM	BHP	CFM	BHP	CFM	BHP	CFM	BHP	CFM	BHP	CFM	BHP
1/3	263	4109	0.315	2762	0.175										
1/2	302	4719	0.477	3645	0.322										
3/4	328	5125	0.611	4161	0.445	2684	0.246								
1	377	5890	0.928	5076	0.740	4028	0.527								
	400	6250	1.109	5486	0.910	4561	0.690	3228	0.438						
1 1/2	416	6500	1.247	5768	1.041	4914	0.816	3754	0.568						
	430	6719	1.377	6013	1.164	5217	0.937	4137	0.680						
	450	7031	1.579	6360	1.356	5617	1.121	4650	0.856	3202	0.538				
2	477	7453	1.880	6824	1.645	6135	1.398	5297	1.125	4241	0.841				
	500	7812	2.165	7216	1.920	6569	1.663	5810	1.384	4871	1.085	3421	0.705		
3	520	8125	2.436	7553	2.181	6942	1.916	6247	1.633	5379	1.322	4291	0.991		
	540	8437	2.728	7887	2.463	7302	2.189	6663	1.902	5860	1.582	4928	1.261		
	567	8859	3.158	8335	2.880	7782	2.594	7186	2.295	6480	1.971	5659	1.631	4610	1.261

Power rating (BHP) includes transmission losses. Outlet Velocity = CFM ÷ 1.41. Tip Speed 3.3 x RPM. Performance certified is for installation type B: free inlet, ducted outlet. Performance ratings include the effects of filters in the airstream.

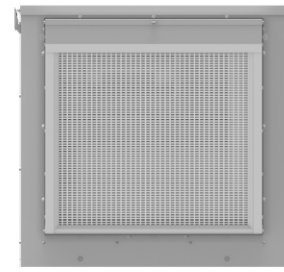
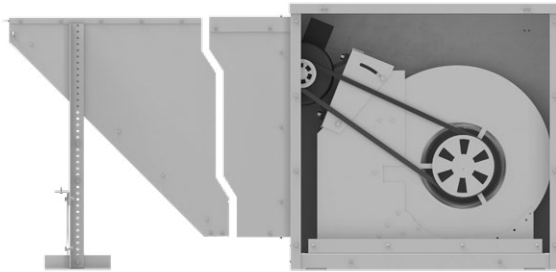
MU | BELT DRIVE

MU6020

HP	RPM	0.00" S.P.		.125" S.P.		.250" S.P.		.375" S.P.		.500" S.P.		.625" S.P.		.750" S.P.		.875" S.P.		1.000" S.P.	
		CFM	BHP	CFM	BHP	CFM	BHP	CFM	BHP	CFM	BHP	CFM	BHP	CFM	BHP	CFM	BHP	CFM	BHP
1/2	246	5817	0.51	4438	0.35	-	-	-	-	-	-	-	-	-	-	-	-	-	-
3/4	284	6716	0.78	5583	0.6	3795	0.35	-	-	-	-	-	-	-	-	-	-	-	-
1	308	7284	1	6259	0.8	4868	0.56	-	-	-	-	-	-	-	-	-	-	-	-
1 1/2	354	8371	1.52	7517	1.3	6466	1.05	4967	0.71	-	-	-	-	-	-	-	-	-	-
2	373	8821	1.77	8023	1.56	7045	1.29	5789	0.97	-	-	-	-	-	-	-	-	-	-
	390	9223	2.03	8460	1.8	7553	1.52	6455	1.23	4757	0.83	-	-	-	-	-	-	-	-
3	408	9648	2.32	8920	2.08	8077	1.79	7080	1.51	5696	1.09	-	-	-	-	-	-	-	-
	448	10594	3.07	9931	2.81	9196	2.51	8361	2.2	7371	1.85	5947	1.37	-	-	-	-	-	-
5	467	11044	3.48	10407	3.21	9718	2.9	8934	2.57	8033	2.23	6870	1.75	4886	1.21	-	-	-	-
	532	12581	5.14	12022	4.83	11463	4.52	10800	4.13	10098	3.76	9320	3.38	8372	2.89	7137	2.32	-	-
7 1/2	554	13101	5.81	12565	5.49	12028	5.16	11409	4.77	10755	4.37	10047	4.01	9215	3.55	8189	2.94	6858	2.43
	585	13834	6.84	13326	6.5	12818	6.16	12258	5.77	11649	5.33	10995	4.94	10286	4.52	9466	4.01	8449	3.33
	610	14426	7.75	13938	7.4	13451	7.04	12935	6.66	12351	6.2	11745	5.77	11102	5.37	10358	4.88	9491	4.27

Power rating (BHP) includes transmission losses. Outlet Velocity = CFM ÷ 1.41. Tip Speed 3.3 x RPM. Performance certified is for installation type B: free inlet, ducted outlet. Performance ratings include the effects of filters in the airstream.

FS | BELT DRIVE



Model	HP	RPM	Peak BHP	Fan Capacity - CFM									
				.000" S.P.	.125" S.P.	.250" S.P.	.375" S.P.	.500" S.P.	.625" S.P.	.750" S.P.	1.000" S.P.	1.250" S.P.	1.500" S.P.
FS10B	1/4	739	0.3	1837	1653	1415	-	-	-	-	-	-	-
	1/3	795	0.38	1977	1806	1593	1332	-	-	-	-	-	-
	1/2	915	0.57	2275	2129	1960	1765	1526	-	-	-	-	-
	3/4	1052	0.87	2616	2489	2357	2195	2024	1819	-	-	-	-
	1	1127	1.07	2802	2684	2562	2420	2262	2094	1895	-	-	-
	1 1/2	1295	1.63	3220	3117	3013	2905	2776	2639	2500	2163	-	-
FS12B	1/4	527	0.3	2300	2021	1522	-	-	-	-	-	-	-
	1/3	567	0.38	2475	2225	1804	-	-	-	-	-	-	-
	1/2	653	0.57	2851	2640	2354	1918	-	-	-	-	-	-
	3/4	750	0.87	3274	3093	2883	2583	2186	1631	-	-	-	-
	1	804	1.07	3510	3341	3158	2908	2567	2193	-	-	-	-
	1 1/2	924	1.62	4034	3886	3736	3559	3333	3041	2717	-	-	-
	2	1019	2.18	4449	4314	4181	4038	3863	3645	3377	2789	-	-
3	1169	3.29	5103	4986	4871	4752	4626	4472	4296	3848	3336	2607	
FS15B	1/4	338	0.3	2883	2349	-	-	-	-	-	-	-	-
	1/3	364	0.37	3105	2625	-	-	-	-	-	-	-	-
	1/2	418	0.57	3565	3160	2567	-	-	-	-	-	-	-
	3/4	481	0.87	4103	3754	3355	2668	-	-	-	-	-	-
	1	516	1.07	4401	4078	3725	3198	-	-	-	-	-	-
	1 1/2	593	1.62	5058	4779	4487	4151	3655	2955	-	-	-	-
	2	654	2.17	5578	5324	5065	4791	4451	3966	3324	-	-	-
	3	750	3.28	6397	6174	5953	5723	5479	5192	4791	3735	-	-
FS18B	1/2	426	0.57	4068	3607	2999	-	-	-	-	-	-	-
	3/4	489	0.86	4669	4280	3823	3208	-	-	-	-	-	-
	1	525	1.07	5013	4650	4237	3717	3074	-	-	-	-	-
	1 1/2	603	1.62	5758	5440	5107	4730	4248	3695	-	-	-	-
	2	665	2.17	6350	6059	5779	5439	5066	4626	4119	-	-	-
	3	762	3.27	7276	7021	6776	6512	6215	5902	5518	4662	-	-
	5	906	5.5	8651	8434	8226	8021	7802	7553	7302	6716	6063	5270

FS | BELT DRIVE

Model	HP	RPM	Peak BHP	Fan Capacity - CFM									
				.000" S.P.	.125" S.P.	.250" S.P.	.375" S.P.	.500" S.P.	.625" S.P.	.750" S.P.	1.000" S.P.	1.250" S.P.	1.500" S.P.
FS20B	3/4	386	0.86	5995	5426	4492	3306	-	-	-	-	-	-
	1	414	1.07	6430	5933	5115	4077	-	-	-	-	-	-
	1 ½	476	1.62	7393	6963	6376	5575	4653	3441	-	-	-	-
	2	524	2.16	8139	7746	7272	6634	5849	4980	3871	-	-	-
	3	602	3.28	9350	9006	8672	8167	7594	6914	6185	4349	-	-
	5	715	5.49	11106	10811	10531	10239	9802	9364	8814	7636	6325	-
	7 ½	819	8.26	12721	12461	12215	11971	11704	11322	10940	10033	9017	7911

Power rating (BHP) Includes drive losses. Outlet Velocity = CFM ÷ 1.41. Tip Speed 3.3 x RPM. Performance certified is for installation type B: free inlet, ducted outlet. Performance ratings include the effects of filters in the airstream.

PENNBARRY PRODUCT SOLUTIONS



Commercial

- Roof & wall exhaust centrifugal fans
- Ceiling, wall, & inline centrifugal fans
- Roof supply centrifugal fans
- Square & round centrifugal fans
- Wall mounted axial fans
- Hooded roof axial fans
- Upblast roof axial fans
- Gravity ventilators
- Roof curbs



Industrial

- Freestanding centrifugal fans
- Industrial & material handling fans
- Tubular centrifugal inline fans
- Mixed flow centrifugal fans
- Plug & plenum fans
- Wall mounted propeller fans
- Tube axial fans
- Vane axial fans
- Bifurcator fans
- Lab exhaust



Kitchen ventilation

- Make-up air units
- Exhaust fans



Energy recovery

- Outdoor units
- Indoor units

PennBarry is proud to be your preferred manufacturer of commercial and industrial fans and blowers. Learn how PennBarry can assist you in your next application by contacting your PennBarry Representative or visiting us on the web at www.pennbarry.com

PennBarry | www.pennbarry.com | pennbarrysales@pennbarry.com | Tel 972 212 4700 | Fax 972 212 4702

PennBarry reserves the right to make changes at any time, without notice, to models, construction, specifications, options and availability. This document illustrates the appearance of PennBarry products at the time of publication. View the latest updates on the PennBarry website.

© 2018 PennBarry. All rights reserved. MUFFAN SEPTEMBER 2018.



PENNBARRY™