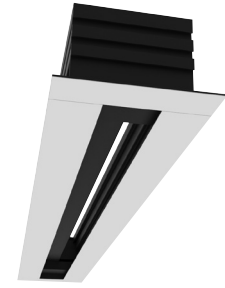
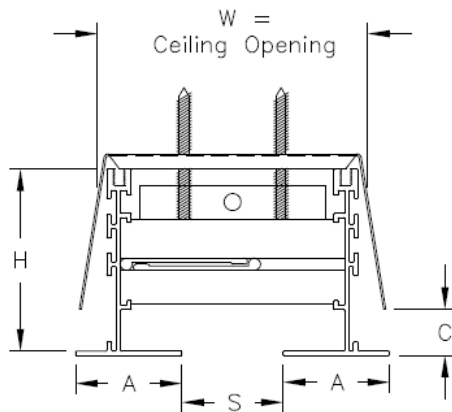


MODEL FALC

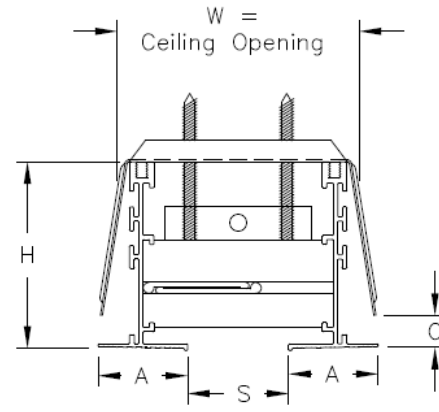
The Formations FALC series is engineered for supply, return or exhaust air distribution in heating, cooling and ventilating applications. It is designed for ceiling and sidewall installation, and works equally well in variable-volume or constant-volume air distribution systems. Formations is suitable for both commercial and residential applications. Numerous frame styles allow the specifier to make an aesthetic statement.



- Available with straight or combo pattern controllers in maximum 24" increments
- Standard slot widths of 1", 1.5", 2", 2.5" and 3"
- Available in single section lengths up to 96"
- Available with one or two slots
- Available in 2 border configurations
- Standard concealed mounting
- Can be curved to produce a flat face, concave or convex face unit

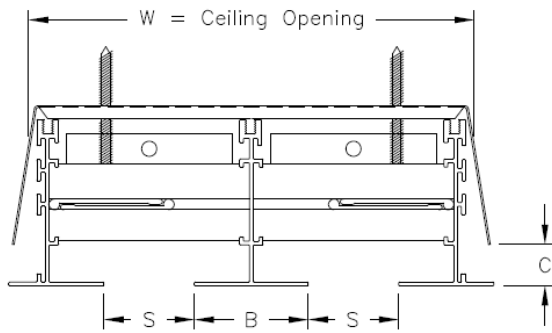


Border AA (1 Slot)

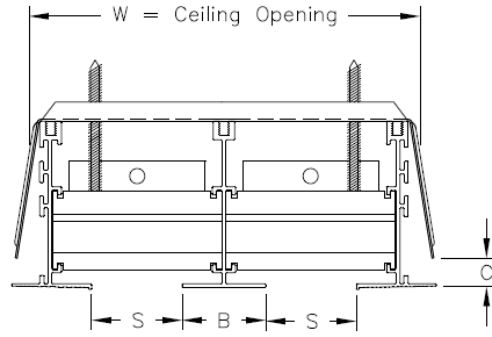


Border CC (1 Slot)

One Slot Formations					
Model	Formation Unit Slot Width	W (width)	A Border (width)	B Border (width)	H Height
FALC-10	1	3 3/4	1 15/16	7/8	2 3/4
FALC-15	1 1/2	4 1/4	1 9/16	1 1/8	2 3/4
FALC-20	2	5 1/4	1 13/16	1 3/8	2 3/4
FALC-25	2 1/2	6 1/4	2 1/16	1 5/8	3 3/16
FALC-30	3	7 1/4	2 5/16	1 7/8	3 5/8



Border AA (2 Slot)



Border CC (2 Slot)

Two Slot Formations				
Model	Formation Unit Slot Width	W (width)	B Border (width)	H Height
FALC-10	1	5 5/8	1 3/8	2 3/4
FALC-15	1 1/2	7 5/8	1 7/8	2 3/4
FALC-20	2	9 5/8	2 3/8	2 3/4
FALC-25	2 1/2	11 5/8	2 7/8	3 3/16
FALC-30	3	13 5/8	3 3/8	3 5/8