

LOUVER FACE LINEARS

The Series LFL are designed for continuous length applications where the clean lines of a louver face diffuser are desirable.



Model LFL-1W One Way Louver Face Linear Diffuser

- Available in either surface mount (-1 border) or T-bar lay-in (-6 border) options
- Can be used for supply or return applications
- Available in continuous lengths from 18"-1200" and is offered in 6", 9" and 12" widths

PAGE 158

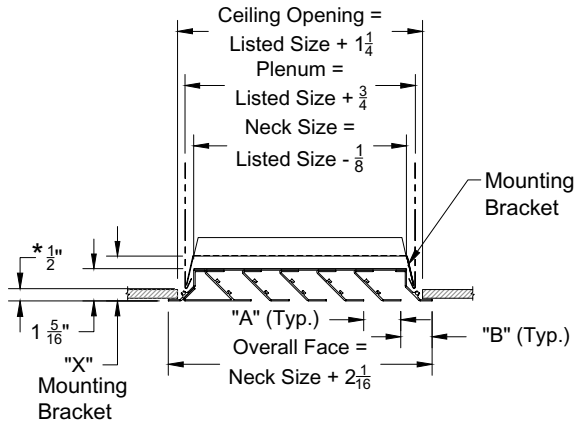
Model LFL-2W Two Way Louver Face Linear Diffuser

- The LFL-2W includes all the same features of the LFL-1W but is provided with a Two Way air pattern.

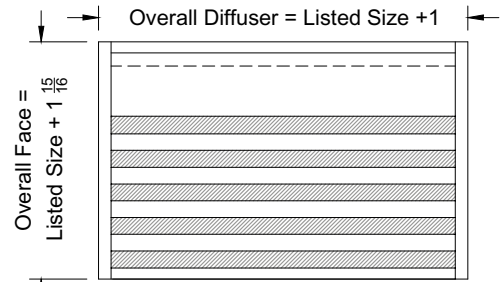
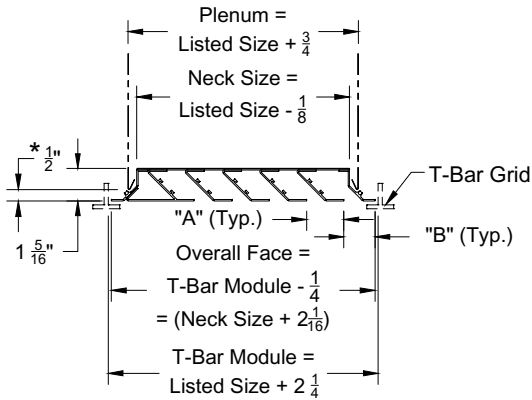
PAGE 160

SUBMITTAL - SERIES LFL - 1-WAY

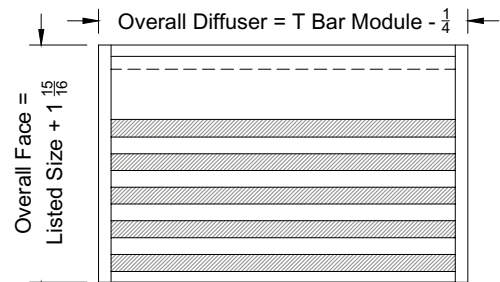
Model: LFL-1W-1, Surface Mount, With 1 Way Air Pattern



Model: LFL-1W-6, Lay In T-Bar Mount, With 1 Way Air Pattern



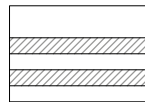
-1: Face - Surface Mount



-6: Face - Lay-In T-Bar

Listed Size (Available Widths)	6	9	12
Neck Size	5 7/8	6 7/8	11 7/8
Overall Face Width	8	11	15
Blade Spacing "A"	1 5/8	1 9/16	1 9/16
End Spacing "B"	1 3/8	1 5/16	1 5/16
"X" Height - W/O - Damper	2	2	2
"X" Height - With - Damper	3 1/2	3 1/2	3 1/2

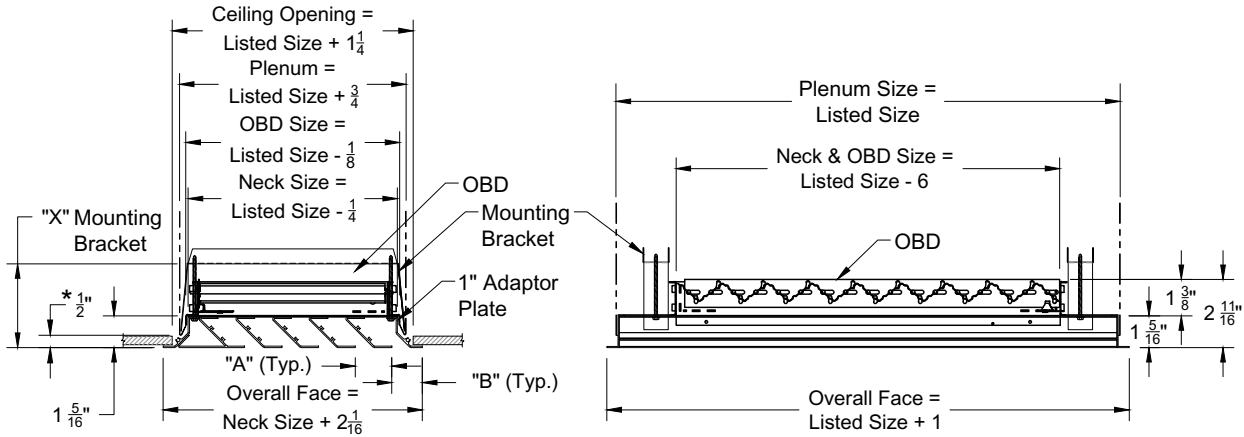
1-Way



*Dimension indicates the distance needed for clearance from the bottom of the duct to the ceiling line and must be maintained for proper fit.

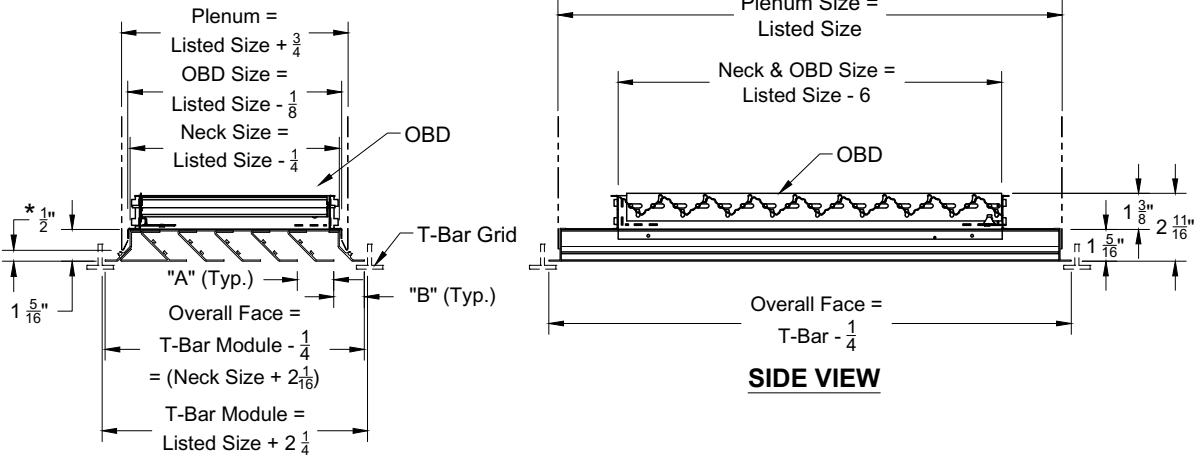
SUBMITTAL - SERIES LFL - 1-WAY

Model: LFL-1W-1, Concealed Mount, With 1 Way Air Pattern & OBD



SIDE VIEW

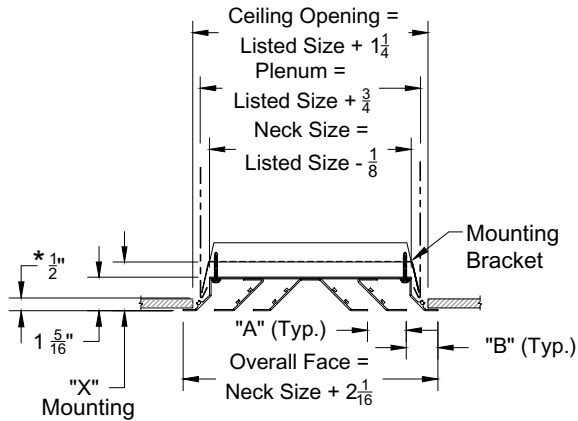
Model: LFL-1W-6, Lay In T-Bar Mount, With 1 Way Air Pattern & OBD



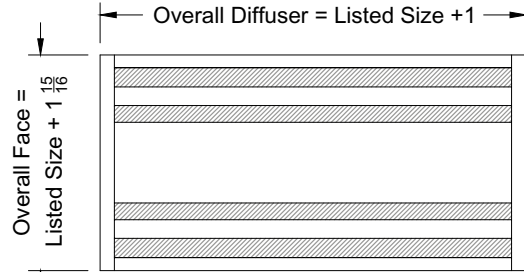
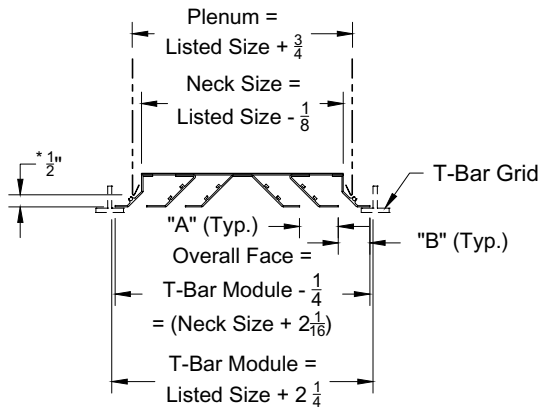
SIDE VIEW

SUBMITTAL - SERIES LFL - 2-WAY

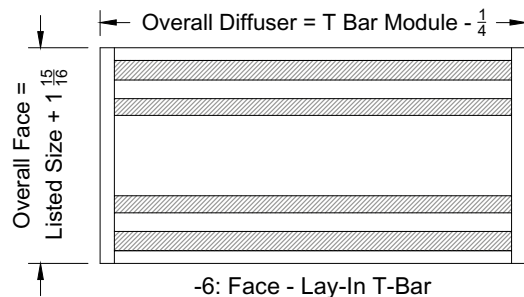
Model: LFL-2W-1, Surface Mount, With 2 way Air Pattern



Model: LFL-2W-6, Lay In T-Bar Mount, With 2 Way Air Pattern



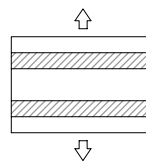
-1: Face - Surface Mount



-6: Face - Lay-In T-Bar

Listed Size (Available Widths)	6	9	12
Neck Size	5 7/8	6 7/8	11 7/8
Overall Face Width	8	11	14
Blade Spacing "A"	-	1 3/4	1 11/16
End Spacing "B"	1 3/4	1 1/2	1 7/16
"X" Height - W/O - Damper	2	2	2
"X" Height - With - Damper	3 1/2	3 1/2	3 1/2

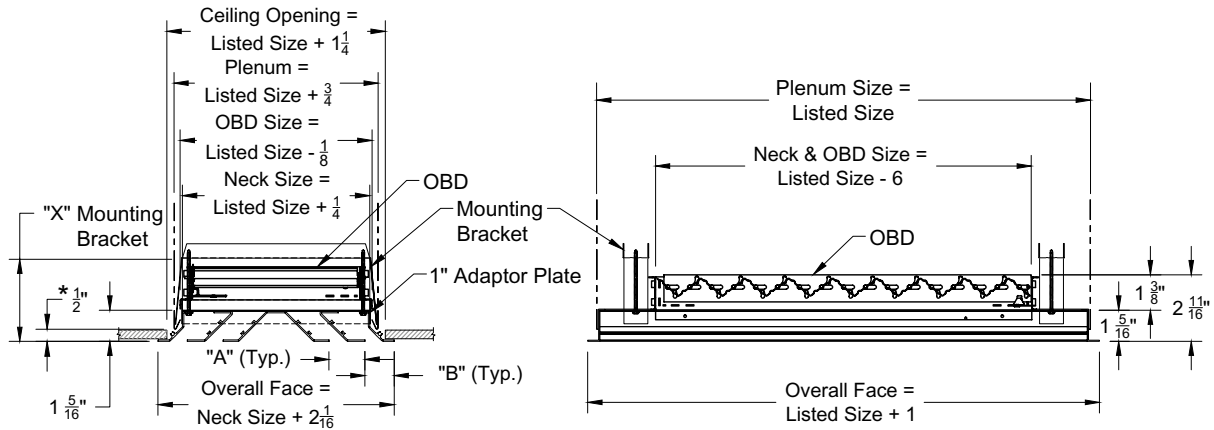
2-Way



*Dimension indicates the distance needed for clearance from the bottom of the duct to the ceiling line and must be maintained for proper fit.

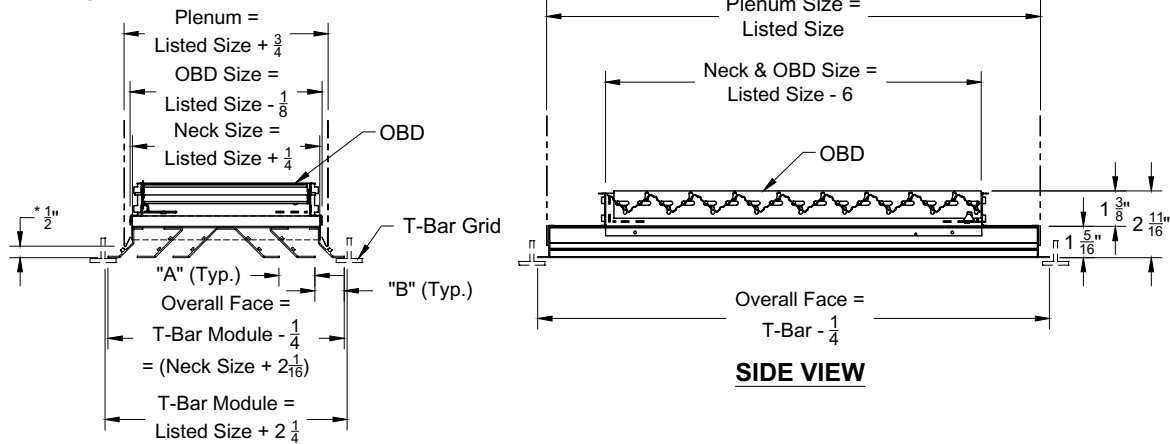
SUBMITTAL - SERIES LFL - 2-WAY

Model: LFL-2W-1, Concealed Mount, With 2 way Air Pattern



SIDE VIEW

Model: LFL-2W-6, Lay In T-Bar Mount, With 2 Way Air Pattern & OBD



SIDE VIEW

LOUVER FACE LINEAR DIFFUSER PERFORMANCE DATA MODEL SERIES LFL

		Unit Neck Width									
1-Way	6"	CFM/LF	20	40	60	80	100	120	140	160	180
		Pt	0.004	0.014	0.032	0.057	0.088	0.127	0.173	0.226	0.286
		Throw	1-4-10	6-10-20	10-15-26	14-20-30	16-24-33	20-26-36	23-28-39	24-30-42	26-31-44
		NC	-	-	-	-	17	23	30	32	35
	9"	CFM/LF	35	65	100	132	165	198	231	264	297
		Pt	0.005	0.016	0.037	0.065	0.102	0.146	0.199	0.260	0.030
		Throw	3-6-13	9-13-26	13-19-33	17-26-39	21-30-43	26-33-47	29-36-50	31-39-54	33-41-57
		NC	-	-	-	-	21	27	34	37	40
	12"	CFM/LF	45	95	140	185	235	280	325	380	420
		Pt	0.004	0.018	0.040	0.070	0.113	0.161	0.216	0.296	0.320
		Throw	4-8-16	10-16-31	16-23-39	21-31-45	26-36-51	31-39-56	34-42-60	37-45-64	39-48-68
		NC	-	-	-	22	32	38	43	45	50
2-Way	6"	CFM/LF	15	30	45	55	70	80	90	105	120
		Pt	0.004	0.014	0.032	0.057	0.088	0.127	0.173	0.226	0.286
		Throw	1-2-9	4-9-16	9-12-21	11-16-24	14-19-27	16-21-30	19-23-32	20-24-34	21-26-36
		NC	-	-	-	-	-	-	-	18	20
	9"	CFM/LF	25	55	75	105	135	155	185	210	240
		Pt	0.005	0.016	0.037	0.065	0.102	0.146	0.199	0.260	0.300
		Throw	2-4-11	8-11-24	11-17-30	16-24-34	19-27-39	24-30-42	26-32-45	28-34-49	30-36-51
		NC	-	-	-	-	17	23	29	32	35
	12"	CFM/LF	40	80	120	160	200	240	280	320	360
		Pt	0.004	0.018	0.040	0.070	0.113	0.161	0.216	0.296	0.320
		Throw	4-7-14	9-14-29	14-21-36	19-29-42	24-33-47	29-36-51	32-39-56	34-42-59	36-44-63
		NC	-	-	-	18	26	32	36	41	44

PERFORMANCE NOTES FOR MODEL SERIES LFL

All data is tested in accordance with ANSI/ASHRAE 70-2006.

DEFINITION OF UNITS

CFM/LF Cubic Feet per Minute (air) / per Linear Ft.

Pt Total pressure (inches of water column)

Throw Distance in feet @50fpm terminal velocity with 10°FΔT cooling differential.

NC Noise criterion, sound pressure level NC ratings are based on sound power level (Lw) re: 10⁻¹² watts minus a 10dB room attenuation in all octave bands