



Bulletin AE09



POWERED AIRETTE

Models: AC, AF
Exhaust or Supply
Hooded Propeller
Roof Ventilators

MOVING YOUR WAY

› **Powered Airette Direct Drive Series**

Model: AC

- Static pressure up to 0.50"
- Flow capacity between 1,600 - 22,600 CFM

› **Powered Airette Belt Drive Series**

Model: AC

- Static pressure up to 0.50"
- Flow capacity between 2,500 - 75,000 CFM

Model: AF

- Static pressure up to 0.50"
- Flow capacity between 2,900 - 47,650 CFM



Introduction 2

Features & Benefits 3

Options and Accessories 4

Direct Drive & Belt Drive Dimensional Data 6

Direct Drive & Belt Drive Performance Data 8

Engineering Specifications 10

Limited Warranty IBC

› **UL and CSA Certification**

PennBarry Powered Airettes carry the UL label, UL 705.



PennBarry Powered Airettes are also certified by the Canadian Standard Association.



PennBarry reserves the right to make changes at any time, without notice, to models, construction, specifications, options, availability, etc. This bulletin illustrates the appearance of PennBarry products at the time of publication. To view the latest updates, visit PennBarry at www.pennbarry.com.

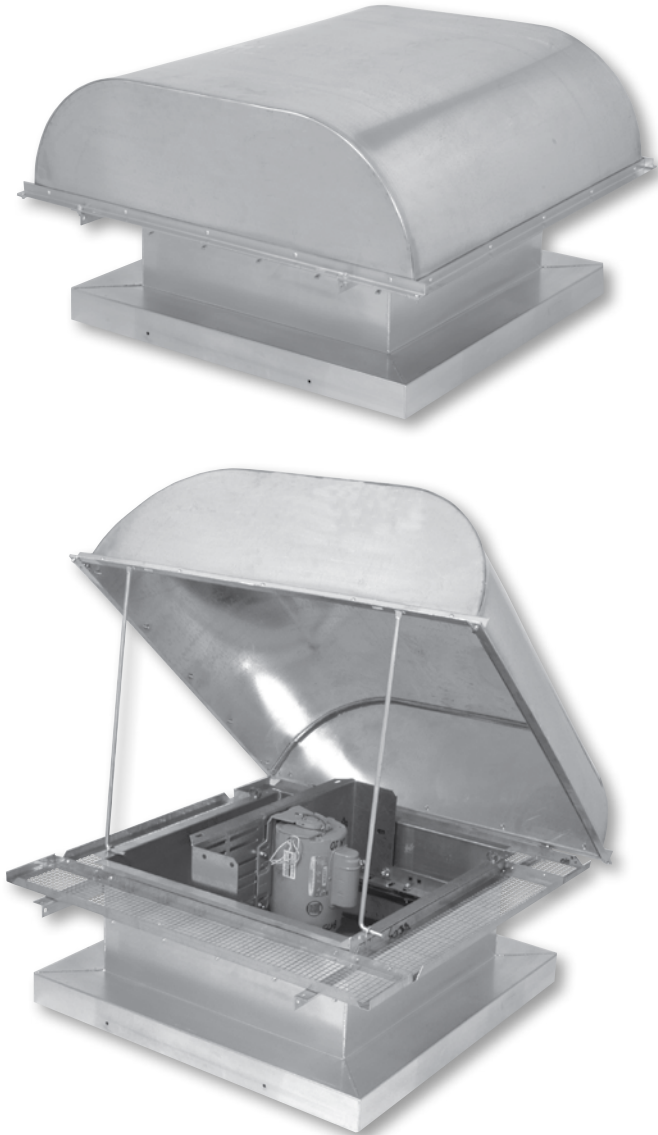
Introduction

Powered Airette Hooded Propeller Roof Ventilator



Introduction

Hooded Propeller Roof Ventilators



P
o
w
e
r
e
d

A
i
r
e
t
t
e

› PennBarry Powered Airette

The PennBarry Powered Airette has been job-proven in countless installations throughout the world.

Architects appreciate the low silhouette and crisp, clean contour. Engineers consider the Powered Airette's versatility and efficiency as their answer to many ventilation problems. PennBarry Powered Airettes can be used as an efficient power roof exhauster to remove hot, humid, foul air or can be arranged to supply fresh, cooler outside air.

Installation is quick and easy on existing or new construction. This unit is shipped as a complete package. A properly framed roof opening and an electrical connection are all that are required.

Total access to all moving parts for maintenance and inspection is attained by raising the hinged hood. Pulley sizes can be easily changed on the job to adjust air volumes if necessary.

The Powered Airette is a solid, compact unit. It is completely self-contained. The housing is low and unobtrusive but not too low or too close to hot or wet roof surfaces. All components are within the housing. They do not intrude nor protrude below the roof line.

The Powered Airette is not just another panel fan with a sheet metal hood. It is a substantial roof exhauster designed and engineered for the duty it serves.

› Powered Airette Direct Drive Series

Model: AC

- Static pressure up to 0.50"
- Flow capacity between 1,600 - 22,600 CFM

› Powered Airette Belt Drive Series

Model: AC

- Static pressure up to 0.50"
- Flow capacity between 2,500 - 75,000 CFM

Model: AF

- Static pressure up to 0.50"
- Flow capacity between 2,900 - 47,650 CFM

› Housings

Built of heavy gauge galvanized steel. Pretreatment provided when units are to be painted in the field to match color of other exterior metal work or when factory painting is specified. The Powered Airette is also available in maintenance-free aluminum when specified.

› Motor and Drive Assemblies

Sturdy, structural steel mountings support these components. Mounts are properly designed for motor weight and fan speed. Mounting brackets are provided with slotted tracks for simple belt adjustment on standard belt-drive units.

› Propeller Fans

PennBarry's fan blades provide QUIET air movement at maximum efficiency. This means low noise level and minimum power consumption with maximum airflow.

› Weather Resistant Operation

Complete weather tightness has been incorporated in the housing design. The protected perimeter exhaust outlet areas on all four sides of the generously sized square hood establish the overall symmetry of the housing. Four even outlet areas reduce discharge velocities and turbulence. Passing air currents actually assist the exhaust action regardless of wind direction. Discharge or inlet openings can be screened to prevent birds or insects from entering the housing when such protection is desired.

› Adjustable Motor Pulleys

Adjustable motor pulleys are standard and can provide speed and capacity flexibility on the job site. Adjustment of 1" in pitch diameter is standard (a 4" pitch diameter pulley can be varied from 3 1/2" to 4 1/2" or + 12 1/2% of rated rpm). Larger size Powered Airettes use matched multiple belts and two-groove pulleys. Motors are mounted on slotted rails to vary center-to-center distances and to adjust for proper belt tension. Vertical flexibility is also provided to permit proper pulley alignment.



Hooded Propeller Roof Ventilator



Powered Airette

Introduction

Powered Airette Hooded Propeller Roof Ventilator

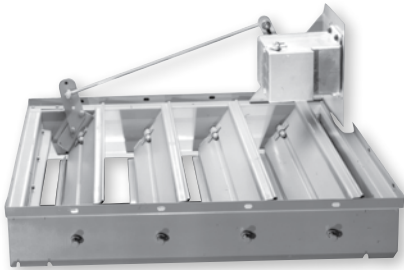


Options & Accessories

Hooded Propeller Roof Ventilators

› Backdraft Dampers

To prevent backdrafts, dampers are frequently used as accessories with the Powered Airette. PennBarry offers several types. Shown here, is an electric motor operated model which insures positive and tight closure for exhaust units. Others are self-acting dampers that open and close automatically with the start/stop of the fan. There are low velocity standard duty and high velocity heavy duty styles. Dampers have aluminum, felted edges with interconnecting rods that prevent blade chatter or 'over-opening'. Damper frames are rugged, galvanized steel roll formed channels and are provided with a knock-out to permit the passage of electrical conduit.



› Safety Guards

Plant Safety Committees and officials, at times, require protective guards around rotating machinery. Accordingly, roof openings for PennBarry's units can be easily and neatly fitted with framed safety guards. This is possible with the Powered Airette design because fan components do not intrude nor protrude below the roof line or into the well of the roof curb.

› Finishes

Coatings such as air dry Enamel, Epoxy, or Heresite are available upon request. See the coatings brochure for details.

› Disconnect Switches

UL listed, non-fused, safety disconnect switches can be provided to match system electrical characteristics. These can be furnished in a weatherproof (NEMA 3R or 4) enclosure specifically designed for outdoor installation or in conventional (NEMA 1) enclosures mounted inside the airshaft under the hood.



› Bird Screens

PennBarry supplies aluminum bird screens when such protection is desired. This screen has an 85% free area for minimum air restriction and pressure drop. The screen cannot unravel, rust or corrode and is an effective barrier against birds or debris entering the building.

› Fresh Air Intake or Relief Hoods

Companion units to the Powered Airette exhaust or supply fan ventilators are the Gravity Airette Fresh Air Intake or Exhaust Hoods.

Gravity Airette Fresh Air Intake or Exhaust Hoods are the perfect way to insure uniformity on the roof for any ventilation function: exhaust, supply, gravity ventilation, pressure relief, interior fan discharge cap or outside air intake.

› Motors

Continuous, heavy-duty, ball bearing motors are standard. In belt-drive units, motors are provided on adjustable bases for easy adjustment of belt tension. Ratings of standard motors are for 40°C ambient. NEMA Class B and Class F insulation is available for temperatures up to 50°C. Explosion proof motors can also be furnished. All motor sizes have been conservatively selected to insure adequate protection under normal operating conditions. Totally enclosed and variable speed motors are also available on special order. Where severe heat conditions are prevalent, glass or other specially insulated motors are necessary. For acids, fumes, excessive moisture, etc., modified designs should be used. A proper selection can be insured by consultation with the factory.

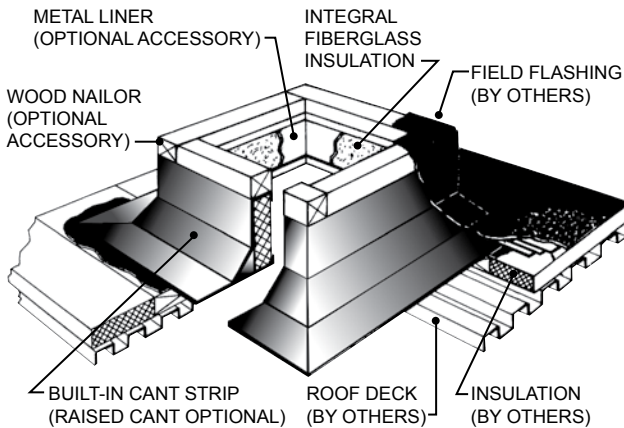
P
o
w
e
r
e
d

A
i
r
e
t
t
e

› Roof Curbs

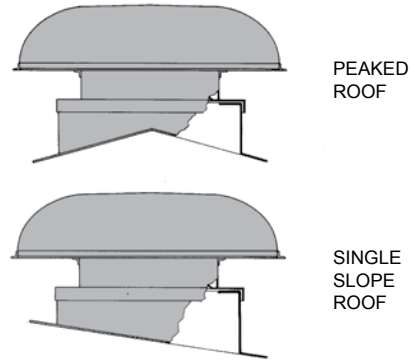
Roof curbs are furnished in a variety of types from canted or self-flashing to sloped or flat pitch. Standard construction includes galvanized or aluminum material, insulation, and metal, rubber gasketing or wood nailer mounting surface. See the roof curbs brochure for details.

Illustrated here, is the Unibeam which is most generally used. Costs of this device are normally less than field built curbs. The Unibeam shown is for flat roof installation.



› Peaked or Sloped Curbs

Whether the installation is on the peak or a single slope of the building, the Unibeam curb will accommodate the application. Each curb is custom built to meet the needs of the project.



Hooded Propeller Roof Ventilator

P
o
w
e
r
e
d

A
i
r
e
t
t
e

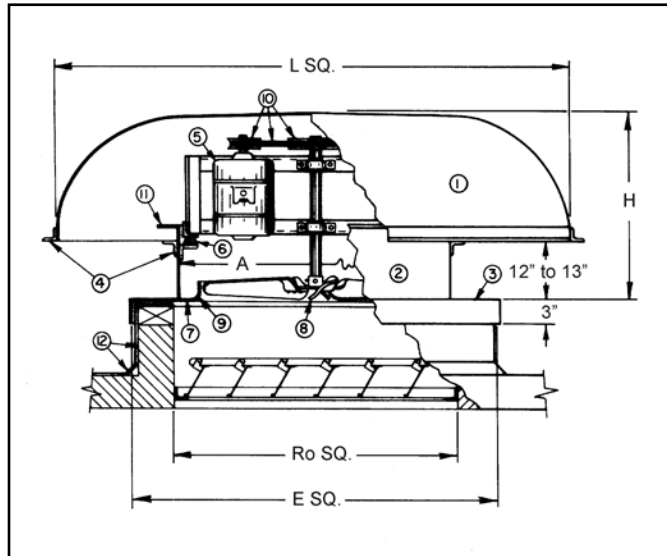
Dimensional Information

Powered Airette Hooded Propeller Roof Ventilator



AC & AF

› AC & AF Dimensional Drawings



› Legend

- | | |
|----------------------------|-------------------------|
| 1. Access Hood | 8. Axial Flow Propeller |
| 2. Fan Casing | 9. Fan Inlet Ring |
| 3. Mounting Base | 10. Belt and Pulleys |
| 4. Reinforcing Angle Frame | 11. Weather Baffle |
| 5. Ball Bearing Motor | 12. Curb and Flashing |
| 6. Anti-Vibration Mounts | (by others) |
| 7. Electric Conduit Space | |

› AC & AF Dimensional Information

Powered Airette ventilators are available in two standard drive arrangements. Direct drive fans with blades on the motor shaft. Belt drive units for general ventilation conditions where the motor and drive components are installed within the ventilator airshaft to take advantage of airstream cooling action. The exhausting air washes the motor and bearings to increase longevity of these components.

Because of physical size, the factory retains the option of shipping large units semi-knocked down when necessary. Units hoisted to the roof should have adequate slings or cradles provided. Installing contractors should secure mounting base to roof curbs with lag bolts and washers or other proper fasteners 12" O.C. When hoods are removed from airshafts during installation, contractors are cautioned to reset hoods properly with all fasteners drawn fully tight. In areas subject to high winds, it is recommended that large units be installed with guy wires.

› AC Dimensional Reference

Size	A	H	L		Ro	E	Gauges*	
			Exhaust	Supply			Alum.	Steel
24	26	21	39	48	25	35	16-20	18-24
30	32	25	48	57	31	41	12-18	16-20
36	38	25	57	66	36	47	12-18	16-20
42	44	29	66	75	44	53	12-18	16-20
48	50	29	75	84	50	59	12-18	16-20
54	56	31	84	93	55	65	10-16	16-20
60	62	33	93	101x121	62	71	10-14	16-20
72	74	43	93x160	93x190	72	83	10-14	14-20

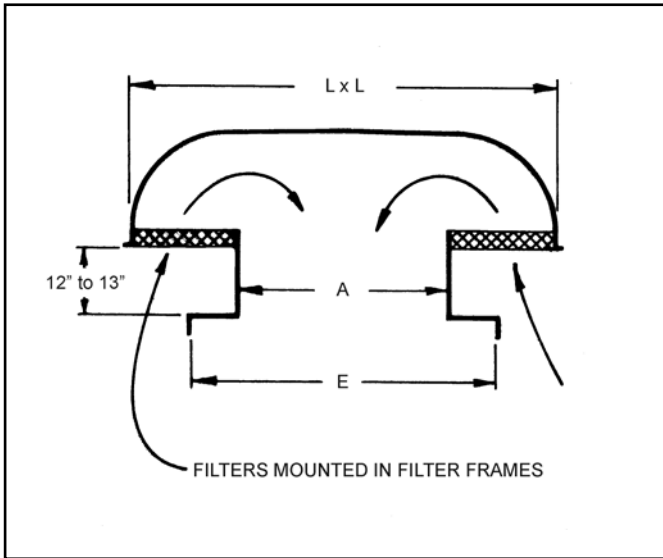
All dimensions in inches.

* Gauges listed first are for airshaft. Gauges listed second are for hoods.

Hooded Propeller Roof Ventilators

P
O
W
E
R
E
D
A
I
R
E
T
T
E

› AC & AF Dimensional Drawings



› AC & AF Filter Equipped Information

Clean and fresh outside air is vital to the proper functioning of many ventilating systems. Air conditioning equipment and many other devices require a dust-free and dirt-free supply of air. Powered Airette Supply Fans with cleanable filters satisfy such antipollutant requirements. Filter maintenance is important. Resistance increases when filters are dirty and pollutant carry-thru will result at .25 in. w.g.

Caution: Due to the high humidity and moisture present at the roof level, filters using hygroscopic media or cardboard frames should be avoided.

Hooded Propeller Roof Ventilator

› AC Filter Dimensional Reference

Size	A sq. in.	E sq. in.	Filter Area sq. ft.	Number & Size of Filters	L x L in.	Maximum CFM	
						350 FPM	550 FPM
24	26	35	17.76	(6) @ 16x20 & (2) @ 16x25	61x61	6200	9700
30	32	41	21.22	(2) @ 16x20 & (6) @ 16x25	71x71	7400	11600
36	38	47	34.19	(2) @ 16x25 & (10) @ 20x25	81x91	12000	18800
42	44	53	48.58	(10) @ 20x25 & (4) @ 25x25	101x101*	17000	26600
48	50	59	63.88	(8) @ 16x25 & (24) @ 15x20	117x121*	22000	35000
54	56	65	83.28	(24) @ 20x25	101x161*	29000	45500
60	62	71	90.28	(28) @ 20x25	117x167*	31600	49650

All dimensions in inches.

* Hoods shipped in one or more sections for field assembly.

AF Belt Drive Performance Data

Model	RPM	TIP SPD (FPM)	0.000" SP		0.125" SP		0.250" SP		0.375" SP		0.500" SP		Est. Ship Wt. (Lbs)	
			CFM	BHP	CFM	BHP	CFM	BHP	CFM	BHP	CFM	BHP	CFM	BHP
AF24	600	3770	4475	0.25	3901	0.25	2909	0.28	-	-	-	-	250	300
	658	4134	4908	0.32	4411	0.32	3446	0.37	2922	0.39	-	-		
	747	4694	5572	0.47	5162	0.47	4561	0.50	3671	0.55	3270	0.57		
	865	5435	6452	0.74	6118	0.74	5663	0.74	5059	0.82	4262	0.85		
	952	5982	7101	0.98	6797	0.98	6424	0.98	5947	1.02	5118	1.10		
AF30	420	3299	6312	0.23	4678	0.25	2947	0.27	-	-	-	-	300	350
	469	3684	7049	0.32	5680	0.34	3717	0.36	-	-	-	-		
	545	4280	8191	0.51	7072	0.53	5519	0.55	4086	0.57	-	-		
	614	4822	9228	0.73	8263	0.75	7040	0.78	5454	0.80	4475	0.83		
	692	5435	10401	1.04	9560	1.06	8575	1.10	7322	1.13	5852	1.15		
	765	6008	11498	1.40	10746	1.43	9900	1.46	8891	1.51	7671	1.53		
AF36	354	3336	8153	0.34	6564	0.37	4949	0.43	-	-	-	-	300	350
	420	3958	9673	0.57	8453	0.61	6818	0.63	-	-	-	-		
	465	4383	10709	0.77	9667	0.81	8201	0.84	6994	0.93	-	-		
	498	4694	11470	0.95	10538	0.99	9206	1.03	7891	1.08	6910	1.20		
	576	5429	13266	1.47	12540	1.51	11452	1.57	10250	1.61	9137	1.66		
	640	6032	14740	2.02	14146	2.06	13200	2.13	12152	2.18	11037	2.19		
	739	6965	17020	3.10	16506	3.15	15802	3.22	14956	3.30	14031	3.36		
AF42	335	3684	12220	0.53	10253	0.56	7012	0.61	-	-	-	-	400	450
	365	4013	13315	0.69	11616	0.71	8342	0.75	6682	0.92	-	-		
	423	4651	15430	1.07	14051	1.10	11906	1.12	9108	1.20	7783	1.43		
	478	5256	17437	1.55	16248	1.58	14699	1.61	12045	1.64	10091	1.76		
	526	5784	19188	2.07	18135	2.10	16851	2.14	15028	2.16	12357	2.23		
	606	6663	22106	3.16	21205	3.20	20185	3.24	18958	3.28	17276	3.30		
	715	7862	26082	5.19	25319	5.24	24515	5.28	23623	5.33	22582	5.38		
AF48	290	3644	14409	0.56	11847	0.61	-	-	-	-	-	-	675	750
	330	4147	16397	0.82	14347	0.88	10576	0.97	-	-	-	-		
	354	4448	17590	1.01	15770	1.08	12191	1.15	-	-	-	-		
	394	4951	19577	1.39	18048	1.47	15578	1.56	12252	1.68	-	-		
	427	5366	21217	1.77	19889	1.85	17861	1.93	14496	2.04	12278	2.21		
	507	6371	25192	2.97	24124	3.06	22671	3.17	20831	3.26	17770	3.38		
AF54	263	3718	19185	0.84	15865	0.96	11762	1.08	-	-	-	-	900	1000
	310	4383	22614	1.38	19837	1.53	16657	1.65	-	-	-	-		
	342	4835	24948	1.86	22459	2.02	19684	2.16	16686	2.29	-	-		
	390	5513	28450	2.75	26298	2.94	23988	3.12	21307	3.25	18713	3.42		
	462	6531	33702	4.58	31901	4.80	29997	5.02	28037	5.21	25617	5.37		
	542	7662	39538	7.39	38016	7.65	36439	7.91	34778	8.18	33108	8.40		
AF60	284	4461	26649	1.53	22369	1.61	18140	1.69	-	-	-	-	1000	1150
	310	4869	29089	2.00	25311	2.08	21413	2.16	-	-	-	-		
	352	5529	33030	2.92	29748	3.02	26054	3.10	22755	3.21	-	-		
	421	6613	39505	5.00	36802	5.12	33851	5.23	30789	5.33	28117	5.45		
	490	7697	45980	7.88	43688	8.03	41256	8.17	38526	8.27	35966	8.39		

Fan capacity ratings are certified to be in accordance with the Standard Test Code for axial fans as adopted by AMCA (AMCA Bulletin 210-07). Higher speed fans are intended for industrial use. Low noise level fans should be selected from the lower speeds. Shipping weights are for exhaust models.

Hooded Propeller Roof Ventilator

Powered Airette

Engineering Specifications

Powered Airette Hooded Propeller Roof Ventilator



Hooded Propeller Roof Ventilators

Powered Airette

Engineering Specifications

› Model

AC = Cast Aluminum Propeller
AF = Fabricated Steel Propeller

› Unit Size

24	36	48	60
30	42	54	72

› Drive Type

D = Direct Drive
B = Belt Drive

› Motor Tap

0 = None
T = 1140 RPM
T1 = 1140 RPM
T2 = 1140 RPM
W = 860 RPM
W1 = 860 RPM
W2 = 860 RPM

› Motor Speed

0 = None
1 = Single Speed
2 = 2 Speed 2 Winding 1800/1200
3 = 2 Speed 1 Winding 1800/900

› Horse Power

0 = None
1/4 3/4 2 7 1/2
1/3 1 3 10
1/2 1 1/2 5 15
X = Special

› Enclosure

O = Open Drip Proof
T = Totally Enclosed
E = Explosion Proof
X = Special

› Voltage

B = 115V
D = 200V
E = 208V
G = 230V
P = 460V
R = 575V
X = Special

› Phase

1 = Single
3 = Three

› Cycle

5 = 50 Hz
6 = 60 Hz

› Efficiency

S = Standard
P = Premium

› Application E/S

E = Exhaust
S = Supply

› Paint / Coating

0 = None
B = Epoxy*
Q = Enamel
X = Special
** Not available with choice of color.*

› Color

0 = None
51 = Light Bronze
53 = Aegean Blue
55 = Patina
56 = Dove Gray
61 = Bone White
63 = Oxford Beige
65 = Dover White
66 = Desert Tan
70 = Black
73 = Smoke Gray
77 = Brick Red
79 = Peppercorn
81 = Medium Bronze
83 = Dark Bronze
85 = Statuary Bronze
94 = Charcoal
X = Special

› Aluminum Housing

0 = None
A = Aluminum

› Damper

0 = None
BDD = Gravity Backdraft Damper
CBD = Counter Balanced Supply Damper
MD1 = Motor Operated Damper 115V
MD2 = Motor Operated Damper 230V
MD4 = Motor Operated Damper 460V
X = Special

› Roof Curb

0 = None	K = UCA18	V = UG18
A = UCG8	L = UG12	W = URA12
B = UCG12	M = SA16	Y = URA18
C = UCG18	N = SFG12	1 = URG12
D = UCA8	P = SFG18	2 = URG18
E = UCA12	Q = SG16	X = Special
F = SFA12	R = SRA16	
G = SFA18	S = SRG16	
H = SCG16	T = UA12	
J = SCA16	U = UA18	

› Slope

0 = None
S = Single
D = Double

› Metal Liner

0 = None
L = Metal Liner

› Damper Holding Plate

0 = None
P = Damper Holding Plate

› Neoprene Gasket

0 = None
G = Gasket

› No Wooden Nailer

0 = Wood Nailer
N = No Wooden Nailer

› Curb Paint/Coating

B = Air Dried Epoxy
Q = Enamel

› Screen

0 = None
B = Bird Screen
S = Insect/Bird Screen

› Supply Hood / Filters

0 = None
L = LFH Supply Hood with Filter
N = NFH Supply Hood without Filter

› Lube Lines

0 = None
L = Lube Lines

› Zerk Lube Fitting

0 = None
F = Zerk Lube Fitting

› Belt Cover

0 = None
B = Belt Cover

› Safety Guard

0 = None
G = Safety Guard

› Thermal Protection

0 = None
P = Thermal Protection

› Disconnect Switch

0 = None
1 = NEMA 1 Disconnect Switch
3R = NEMA 3R Disconnect Switch
4 = NEMA 4 Disconnect Switch
7 = NEMA 7 Disconnect Switch
9 = NEMA 9 Disconnect Switch
X = Special

©PENN BARRY 2008

› Internal Wiring

- 0 = None
- 1 = NEMA 1 Internal Wiring
- 3R = NEMA 3R Internal Wiring

› Firestat Switch

- 0 = None
- F = Firestat Switch

› AC Belt Drive Fans

Belt drive Axial Hooded Roof Fans, exhaust or supply, shall be Powered Airette model AC manufactured by PennBarry of Richardson, TX 75081. Fans shall be weather resistant and properly installed to withstand prevailing winds and bird screen shall be optional. Fans shall be integrally mounted in the ventilator housing. No portion shall protrude below the roof line. Hoods shall be hinged for complete access and shall incorporate low silhouette design with four sided discharge or inlet. Units shall be constructed for curb mounting, be securely fastened, and properly flashed.

Statically and dynamically balanced propellers shall be cast aluminum airfoil. Motors shall be continuous duty, ball bearing design, positively cooled, and furnished at the specified voltage and phase.

› AF Belt Drive Fans

Belt drive Axial Hooded Roof Fans, exhaust or supply, shall be Powered Airette model AF manufactured by PennBarry of Richardson, TX 75081. Fans shall be weather resistant and properly installed to withstand prevailing winds and bird screen shall be optional. Fans shall be integrally mounted in the ventilator housing. No portion shall protrude below the roof line. Hoods shall be hinged for complete access and shall incorporate low silhouette design with four sided discharge or inlet. Units shall be constructed for curb mounting, be securely fastened, and properly flashed.

Statically and dynamically balanced propellers shall be heavy gauge fabricated steel. Motors shall be continuous duty, ball bearing design, positively cooled, and furnished at the specified voltage and phase.

› AC Direct Drive Fans

Direct drive Axial Hooded Roof Fans, exhaust or supply, shall be Powered Airette model AC manufactured by PennBarry of Richardson, TX 75081. Fans shall be weather resistant and properly installed to withstand prevailing winds and bird screen shall be optional. Fans shall be integrally mounted in the ventilator housing. No portion shall protrude below the roof line. Hoods shall be hinged for complete access and shall incorporate low silhouette design with four sided discharge or inlet. Units shall be constructed for curb mounting, be securely fastened, and properly flashed.

Statically and dynamically balanced propellers shall be cast aluminum airfoil. Motors shall be continuous duty, ball bearing design, positively cooled, and furnished at the specified voltage and phase.

› Product Configuration

Reference PennBarry's Fansizer selection software to configure a Powered Airette product today.

Notes

Powered Airette Hooded Propeller Roof Ventilator



Hooded Propeller Roof Ventilators

P
o
w
e
r
e
d

A
i
r
e
t
t
e

©PENNBARRY 2008



1-Year Limited Manufacturer Warranty

› Products Covered

PennBarry Fans and Ventilators (each, a “PennBarry Product”)

› One Year Limited Warranty For PennBarry Products

PennBarry warrants to the original commercial purchaser that the PennBarry Products will be free from defects in material and workmanship for a period of one (1) year from the date of shipment.

› Exclusive Remedy

PennBarry will, at its option, repair or replace (without removal or installation) the affected components of any defective PennBarry Product; repair or replace (without removal or installation) the entire defective PennBarry Product; or refund the invoice price of the PennBarry Product. In all cases, a reasonable time period must be allowed for warranty repairs to be completed.

› What You Must Do

In order to make a claim under these warranties:

- You must be the original commercial purchaser of the PennBarry Product.
- You must promptly notify us, within the warranty period, of any defect and provide us with any substantiation that we may reasonably request.
- The PennBarry Product must have been installed and maintained in accordance with good industry practice and any specific PennBarry recommendations.

› Exclusions

These warranties do not cover defects caused by:

- Improper design or operation of the system into which the PennBarry Product is incorporated.
- Improper installation.
- Accident, abuse or misuse.
- Unreasonable use (including any use for non-commercial purposes, failure to provide reasonable and necessary maintenance as specified by PennBarry, misapplication and operation in excess of stated performance characteristics).
- Components not manufactured by PennBarry.

› Limitations

- In all cases, PennBarry reserves the right to fully satisfy its obligations under the Limited Warranties by refunding the invoice price of the defective PennBarry Product (or, if the PennBarry Product has been discontinued, of the most nearly comparable current product).
- PennBarry reserves the right to furnish a substitute or replacement component or product in the event a PennBarry Product or any component of the product is discontinued or otherwise unavailable.
- PennBarry’s only obligation with respect to components not manufactured by PennBarry shall be to pass through the warranty made by the manufacturer of the defective component.

› General

The foregoing warranties are exclusive and in lieu of all other warranties except that of title, whether written, oral or implied, in fact or in law (including any warranty of merchantability or fitness for a particular purpose).

PennBarry hereby disclaims any liability for special, punitive, indirect, incidental or consequential damages, including without limitation lost profits or revenues, loss of use of equipment, cost of capital, cost of substitute products, facilities or services, downtime, shutdown or slowdown costs.

The remedies of the original commercial purchaser set forth herein are exclusive and the liability of PennBarry with respect to the PennBarry Products, whether in contract, tort, warranty, strict liability or other legal theory shall not exceed the invoice price charged by PennBarry to its customer for the affected PennBarry Product at the time the claim is made.

Inquiries regarding these warranties should be sent to: PennBarry, 1401 North Plano Road, Richardson, TX 75081

Other PennBarry Products

Centrifugal Products



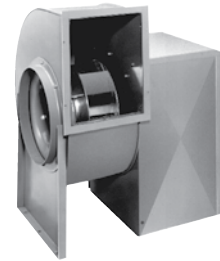
› **Domex**
Centrifugal
Roof Exhausters



› **Fumex Fatrap**
Kitchen Hood Centrifugal
Roof Exhausters



› **Zephyr**
Ceiling and Inline Fans



› **Dynamo**
Centrifugal Blowers



› **Centrex Inliner**
Centrifugal Inline Fan



› **LC Dynafan**
Low Contour Centrifugal
Roof Exhausters

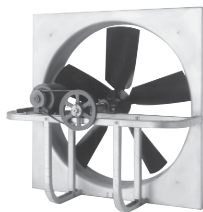


› **ESI**
Efficient Silent
Inline Fan



› **Fume Exhaust**
Curb Mounted
Centrifugal Fans

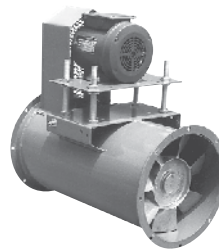
Axial / Gravity Products



› **Breezeway**
Propeller Wall Fan



› **Hi-Ex**
Power Roof Ventilator



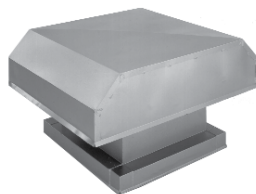
› **Tubeaxial**
Inline Fans



› **Vaneaxial**
Inline Fans



› **Powered Airette**
Axial Roof Ventilators



› **Airette**
Gravity Intake/Relief Hood



› **Domex Axial**
Axial Roof Ventilators



› **Axcentrix**
Bifurcator Fan

